



2019-2020 Ford Ranger

Mud Flap Set, Front

Mounting Diagram & Instructions

Kit# GCR45F

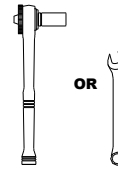
IMPORTANT:

Manufacturer is not responsible for negligent use of vehicle with mud flaps installed, including over-tightening of screws and bolts causing damage to vehicle or mud flaps.

TOOLS REQUIRED-



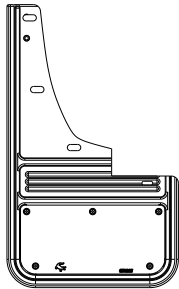
Push Pin Removal Tool



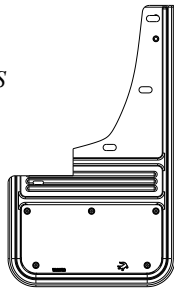
7/16" Open Wrench
and Socket Wrench

FLAPS AND BRACKETS

(1) Flap
Front, DS



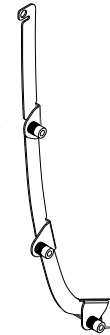
(1) Flap
Front, PS



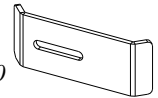
(1) Bracket
Front, DS
Part #767037



(1) Bracket
Front, PS
Part #767038



(2) U-Clamp
Front
Part #766960

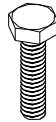


PARTS BAG # 767050

a) (4) Capscrew, Blk Oxidized
SS, 1/4"-20UNC x 3/8"
Part #014069



b) (2) Screw
SS, 1/4"-20 x 1"
Part #014007



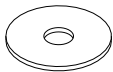
c) (2) Capscrew, Blk Oxidized
SS, 1/4"-20UNC x 5/8"
Part #014071



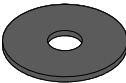
d) (2) Nut, Hex
SS, 1/4"-20
Part #025000



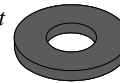
e) (4) Washer, Flat
1" OD", SS
Part #018028



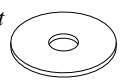
f) (6) Washer, Flat,
1" OD, SS, Blk Ox.
Part #018069



g) (4) Washer, Flat
1/8" Nylon
Part #054076



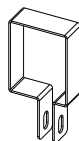
h) (2) Washer, Flat
1" OD, Nylon
Part #054061



i) (2) Lock Washer
SS, 1/4", Helicoil
Part #024000

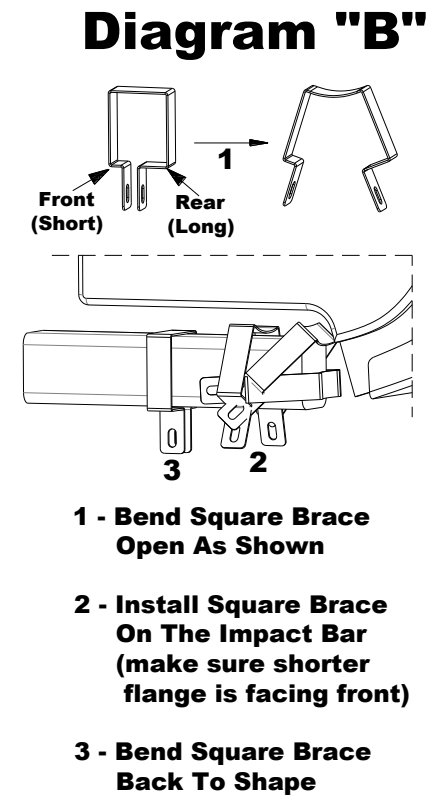
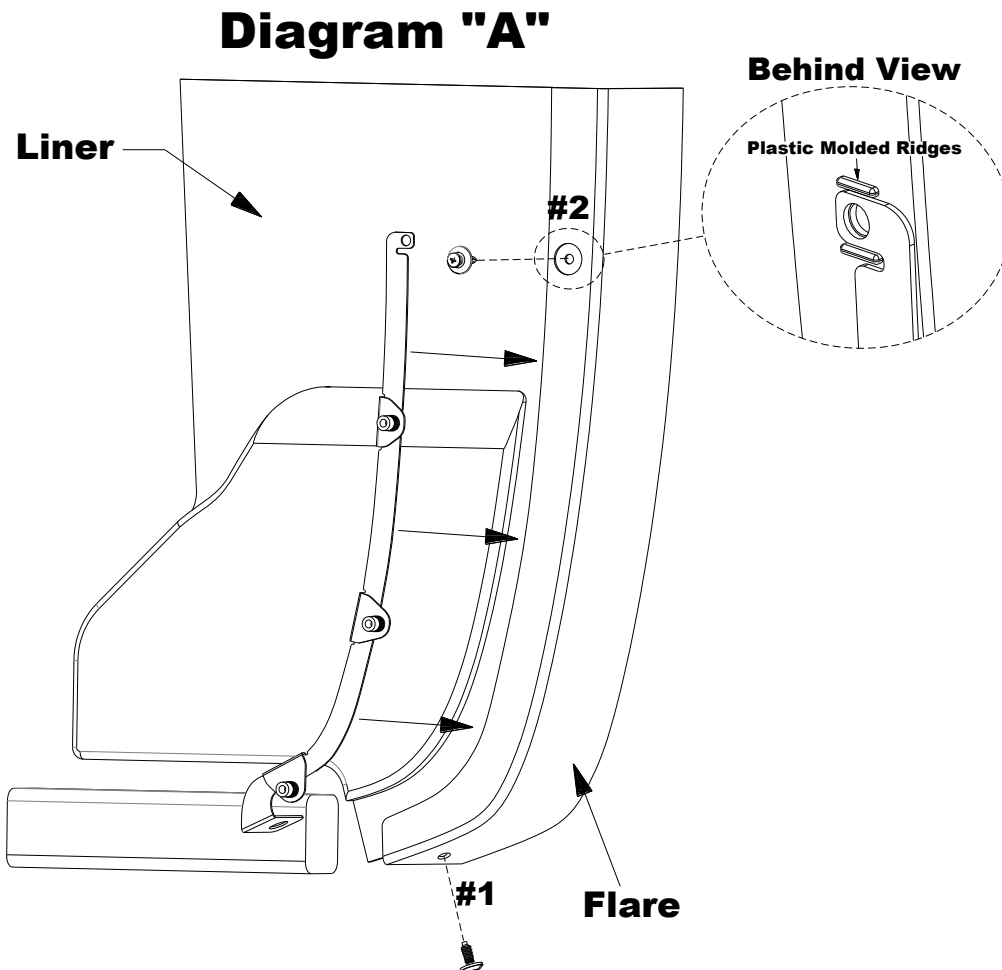


j) (2) Brace Bar
Square
Part #767039



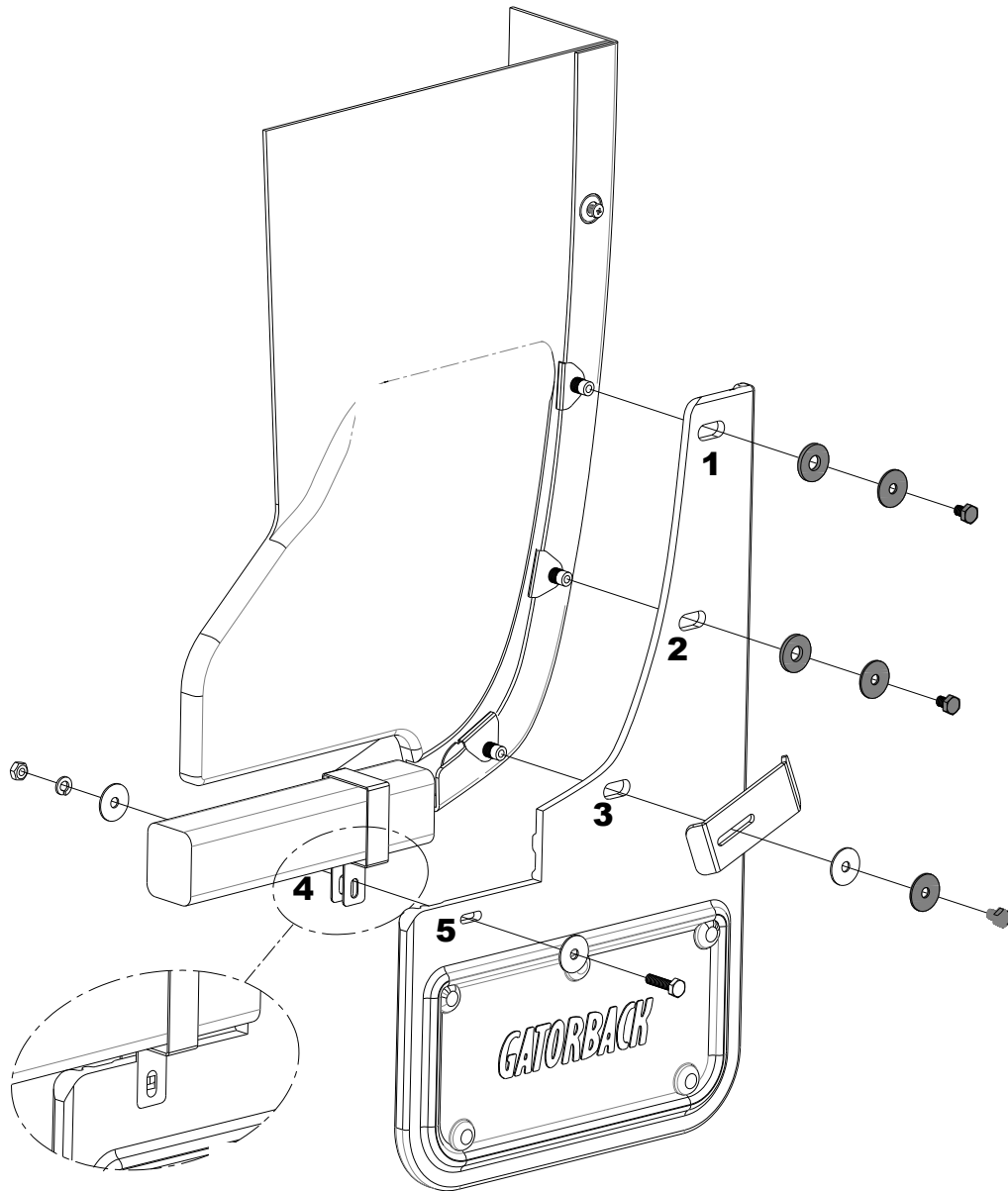
INSTALLATION *(For ease of installation it is suggested that the wheel be removed)*

1. Before you install your Mud Flap Set, see the diagram and parts list for all necessary parts.
2. Remove the (1) factory screw on the underside of the flare (Diagram "A" hole #1) and set aside to reinstall later.
3. Remove the (1) factory push pin on the upper portion of the flare (Diagram "A" hole #2) and set aside to reinstall later.
4. Install bracket between flare and inner liner, ensuring that the slot under the top hole slides into place around the plastic ridges on the back of the flare as shown in Diagram "A".
5. Once the bracket is in place, press firmly on the flare to reattach the clips. *Note: Bracket will require slight bend to properly fit*
5. Realign and re-install first the push pin on upper portion of flare (Diagram "A" hole #2), then the screw in bottom of the flare (Diagram "A" hole #1).
6. Install square brace on the tire retention impact bar, as shown in Diagram "B".



7. Align the slots in the mudflap with the riv nuts in the brackets, as shown in Diagram "C"
8. Install first the nylon washer (054076), then a black stainless washer (018069) and a black ¼" stainless steel capscrew (014069) through holes #1 & #2 as shown in Diagram "C"
9. Install U-Clamp (766960), nylon washer (054061), black washer (018069) and 5/8" Capscrew (014071) through hole #3 as shown in Diagram "C"
10. Slide square brace into place as shown in Diagram "C", number 4, and install through hole #5 with a stainless washer (018028), and 1" stainless steel bolt (014007). Secure from behind using a stainless steel washer (018028), lock washer (024000), and hex nut (025000).
11. Before tightening, check that the flap is straight and level using a square or bubble level. (Do not over tighten)
12. Repeat procedure for the passenger side.

Diagram "C"



Please check out our YouTube channel to see an install video for this application.

