

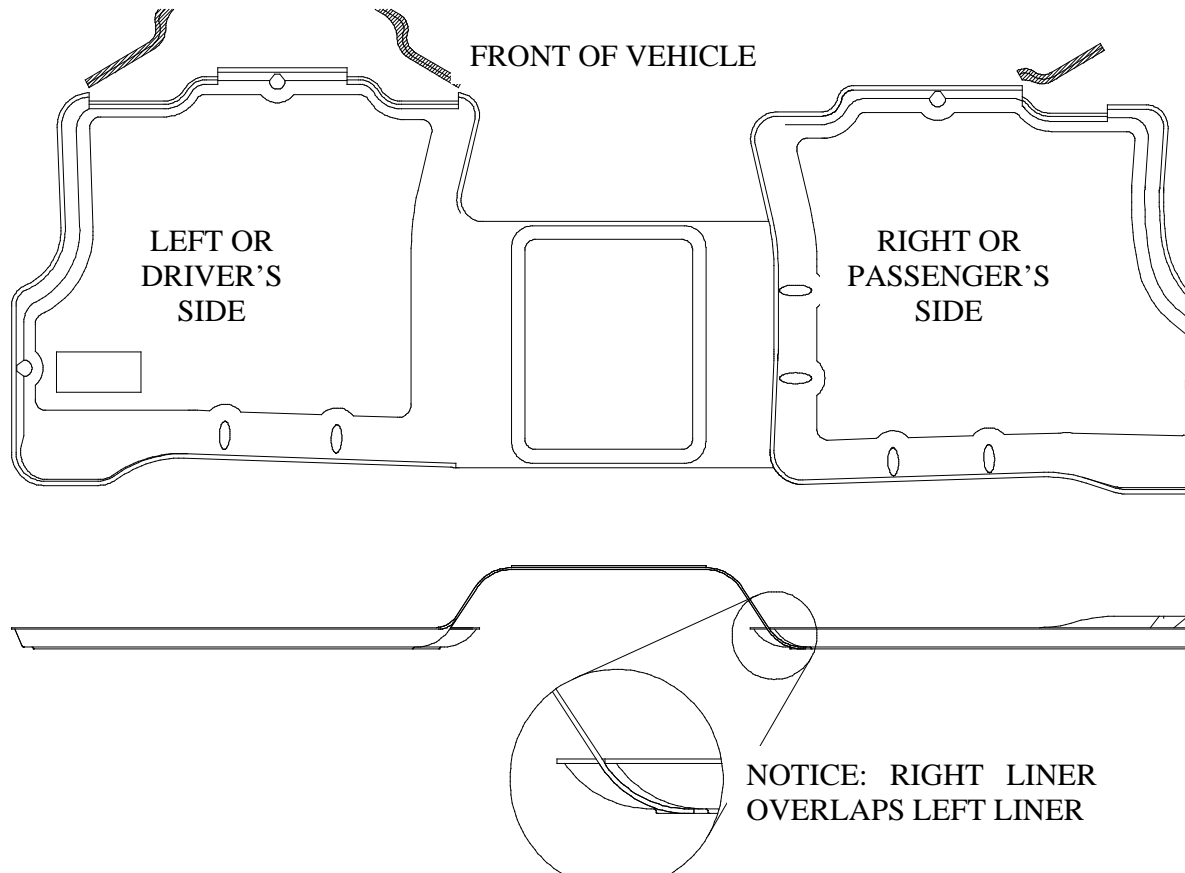
THANK YOU FOR SELECTING A HUSKY FLOOR LINER FROM WINFIELD CONSUMER PRODUCTS

CARE AND USE INSTRUCTIONS

Your new floor liners are custom molded to fit your particular vehicle. The liners are made to take the place of your factory floor mats. For correct fit, it is necessary to remove the factory floor mats before installing your new floor liners. *However, do not remove the factory-installed carpeting.*

Your liners are made from an engineering resin that is lightweight and extremely tough and durable. The easiest way to clean your liners is with a damp cloth or sponge. If using a cleaner, 409® or Glass Plus® work well. Use of Armor All®, Son-of-a-Gun® or similar items is discouraged as these products make the liners slick.

INSTALLATION INSTRUCTIONS FOR YOUR SECOND SEAT DODGE DAKOTA QUAD CAB FLOOR LINERS



IF YOUR QUAD CAB IS EQUIPPED WITH BUCKET SEATS, YOU MAY NEED TO TRIM YOUR LINER(S) TO ALLOW FOR SEAT TRACK CLEARANCE DURING POSITIONING OF YOUR SEATS. INSTALL THE LINERS IN YOUR VEHICLE AS DESCRIBED ABOVE MOVING YOUR SEATS THROUGH THEIR FULL RANGE OF POSITIONS. IF INTERFERENCE OCCURS, TRIM YOUR LINERS AS NEEDED BY REMOVING THE MATERIAL IN THE RELIEF AREA(S) PROVIDED ON YOUR LINERS (SEE ABOVE). TO TRIM, CUT AWAY THE OFFSET PORTIONS OF THE RELIEF AREA(S) WHERE NEEDED (SEE PHOTO ON BACK). A UTILITY KNIFE OR HEAVY SCISSORS WORK WELL FOR TRIMMING.

PHOTOS OF TRIMMED PART #6077

