

# GMFP30W

# GM

Front suspension package  
Ensemble pour suspension avant  
Ensemble para suspensión de delantero

## INSTALLATION INSTRUCTIONS

- Raise vehicle allowing the axle to hang freely.
- Remove existing bump stop.
- Mount bracket #3 to OEM bracket using carriage bolt #5 & lock nut.
- Mount remaining assembly to bracket #3. (Hand tighten)
- Lower vehicle.

### NOTES:

Turn wheels full lock both directions to ensure there is no interference with Timbren assembly.

## INSTRUCTIONS DE MONTAGE

- Soulever le véhicule de sorte que l'essieu soit dégagé.
- Retirer la butée de suspension \ existante.
- Monter le support no 3 sur le support du fabricant d'équipement en utilisant le boulon de carrosserie no 5 et l'écrou freiné.
- Monter l'assemblage restant sur le support no 3 (serré à la main).
- Redescendre le véhicule.

### REMARQUES:

S'assurer qu'il n'y a aucune interférence avec l'assemblage Timbren en tournant les roues complètement dans les deux directions.

## INSTRUCCIONES DE INSTALACIÓN

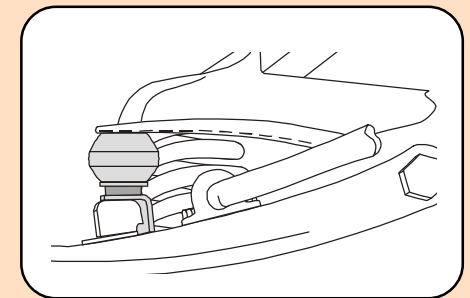
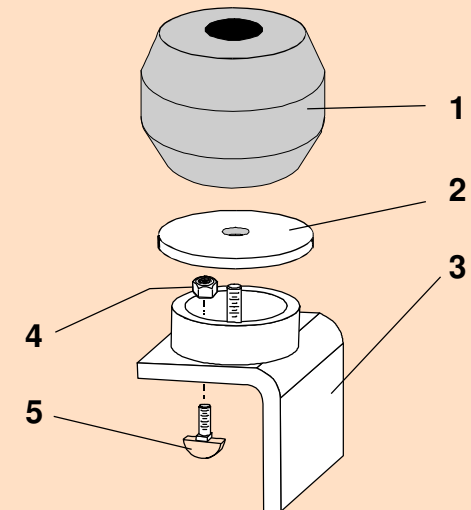
- Levante el vehículo dejando que los ejes cuelguen libremente.
- Retire el tope de suspensión existente.
- Monte la abrazadera #3 a la abrazadera del fabricante original del equipo utilizando tornillo de carruaje #5 y tuerca de seguridad.
- Monte la unidad restante a la abrazadera #3. (apriete manualmente)
- Baje el vehículo.

### NOTAS:

Gire las ruedas hasta el tope en ambas direcciones para asegurarse de que no hay interferencia con la unidad Timbren.

Ref. = Reference = No. de référence = Núm. de referencia  
Part = Part #. = No. de pièce = Núm. de pieza  
Qty. = Quantity = Quantité = Cantidad

Ref	Part	Qty
1	A00170-75AG00	2
2	A16250	2
3	K10328-003	1L-1R
4	F31003-250	2
5	F15061-253	2



Do not exceed vehicle manufacturer's recommended axle weight rating. Check for AEON® interference with vehicle components - Under load AEON® will "expand" in diameter.

Ne pas dépasser le poids nominal sur l'essieu recommandé par le fabricant du véhicule. Vérifier que le ressort AEON® n'a pas d'incidence sur d'autres pièces du véhicule - Le ressort AEON® augmentera son diamètre avec la charge.

No exceda la carga nominal en el eje recomendada por el fabricante del vehículo. Compruebe que no haya interferencia entre el resorte AEON® y los otros componentes del vehículo. Bajo carga, el resorte AEON® se ampliará en diámetro.

GMFP30W

## GMFP30W

TIMBREN INDUSTRIES INC.

[www.timbren.com](http://www.timbren.com)

PART NUMBER	DESCRIPTION	QTY	LOCATION
<b>F31003-250</b>	NYLOCK LOCKNUT 3/8 UNC GR 5 Z	<b>2</b>	<b>G1B</b>
<b>F15061-253</b>	BOLT CARRIAGE. 3/8 x 1 UNC GR 5 B	<b>2</b>	<b>I3E</b>
<b>A00170-75AG00</b>	Hollow Rubber Spring	<b>2</b>	<b>C2D</b>
<b>K10328LH-003</b>	GMFP30W WELDMENT LH PAINTED	<b>1</b>	<b>E4A</b>
<b>K10328RH-003</b>	GMFP30W WELDMENT RH PAINTED	<b>1</b>	<b>E4A</b>
<b>A16250-003</b>	DISC 2-1/2 OD x 13/32 ID x 3/16 THK	<b>2</b>	<b>E(END)A</b>
<b>B90264-CF</b>	MINI FRONT BOX - 7 x 5.25 x 4.75	<b>1</b>	<b>A--D</b>
<b>B10000</b>	8" x 12" BUBBLE FOR KITS	<b>1</b>	
<b>B00029-010</b>	BARCODE LABEL FOR KIT	<b>1</b>	

### ASSEMBLY NOTES:

**APPLY 'LEFT' LABEL TO K10328LH BRACKET**

Issued: 10/15/2015

### Clearance Instructions:

Rear SES Kits for Pick-Ups and Vans should have a 1/2" to 1-1/2" gap between the rubber spring and contact point when empty.

A partial load, or vehicle accessories will reduce or eliminate the gap.

Front SES kits are usually in full contact.

Medium and Heavy-Duty Trucks, Trailers and Motorhomes will be in constant contact, and have no gap.

### Lifetime Warranty:

Timbren SES Kits are warranted against defects in material and workmanship, under normal use and service, for the life of the vehicle on which the kit was originally installed. The warranty is not transferable and proof of purchase is required. The warranty is limited to the replacement of the failed part.

TIMBREN will not be responsible for any labour or freight charges involved in the replacement of any product. TIMBREN shall be entitled to make its own inspection to determine the validity of the claim. TIMBREN shall not be liable nor warranty the product in the event of alteration, misuse, overload, negligence or damage caused by others.

If ride or performance of our product is unsatisfactory in any way, please call: 1-800-263-3113 or email [sales@timbren.com](mailto:sales@timbren.com)