



# INSTRUCTIONS—INSTRUCCIONES—CONSIGNES

APPLICATION: 2011 FORD EXPLORER  
APP PART # 22-1975  
OVAL MOUNT KIT

AUTOMOTIVE PRODUCTS, INC.

ITEM	QUANTITY	DESCRIPTION	TOOLS NEEDED
1	2	STEP BARS	18MM SOCKET
2,3	2	FRONT MOUNTING BRACKETS (2) DRIVERS SIDE, (3) PASSENGER SIDE	9/16" SOCKET
4,5	2	REAR MOUNTING BRACKETS (4) DRIVERS SIDE, (5) PASSENGER SIDE	13MM SOCKET
6	4	M12 BOLT PLATES	10MM SOCKET
7	4	M12 FLAT WASHERS	TORQUE WRENCH
8	4	M12 LOCK WASHERS	RATCHET
9	4	M12 HEX NUTS	
10	4	J BOLTS	
11	4	M10 FLAT WASHERS	
12	4	3/8" LOCK WASHER	
13	4	3/8" HEX NUT	
14	2	M8 HEX HEAD BOLT	
15	4	M8 FLAT WASHERS	
16	2	M8 LOCK WASHERS	
17	2	M8 HEX NUTS	
18	4	M6 BOLT PLATES (INCLUDED WITH STEP TUBES)	
19	16	M6 FLAT WASHERS (INCLUDED WITH STEP TUBES)	
20	16	M6 NYLOCK NUTS (INCLUDED WITH STEP TUBES)	
21	4	PLASTIC RETAINERS	

1. Remove all contents from box, verify all parts listed are present and free from damage. Carefully read and understand all instructions before attempting installation.
2. Unsecure the driver side rocker panel trim by releasing the plastic retainers along the bottom using a pair of small screwdrivers. With the doors open remove the two forward most retainers by sliding them down and off of the plastic rocker panel trim. (Fig 1,2).
3. Insert (2) J-Bolts into the two slots no longer covered by the plastic retainers. Slight trimming of the plastic is recommended to add clearance for nuts and washers. (Fig 3)
4. Insert (1) bolt plate into the front driver side slot under the vehicle ( Fig 4). Use a clear plastic retainer to prevent losing the bolt plate in the body while installing the bracket. NOTE: Some models have additional sheet metal within the uni-body on the driver side front slot. Installation of bolt plate requires inserting the bolt plate threaded end first and pulling the bolt into an appropriate position with a magnet prior to installing the plastic retainer.
5. Lift the rocker panel trim away from the body and install the driver side front bracket over the two j-bolts and bolt plate. Secure using (1) M12 flat washer, (1) M12 split lock washer, (1) M12 hex nut, (2) M10 flat washers, (2) 3/8" split lock washers and (2) 3/8" hex nuts. The step bar cradle faces the rear of the vehicle (Fig 5). Do not tighten fully at this time.



Westin Automotive Products, Inc.  
5200 N. Irwindale Ave. Suite 220  
Irwindale, Ca. 91706

Thank You for choosing Westin products  
For Additional installation assistance please call  
Customer service (800) 793-7846  
[www.westinautomotive.com](http://www.westinautomotive.com)

6. Insert (1) bolt plate into the rear driver side slot under the vehicle using a plastic retainer. Use the rear bracket to line up where the pinch weld must be drilled such that the bracket will be square and level. The step bar cradle faces the front of the vehicle. Center punch and drill a 3/8"-7/16" hole. ( Fig 6 and 7)
7. Install driver side rear bracket and secure using (1) M12 flat washer, (1) M12 split lock washer, (1) M12 hex nut, (1) M8 hex head bolt, (2) M8 flat washers, (1) M8 split lock washer and (1) M8 hex nut. Do not tighten fully at this time. (Fig 8)
8. Take the drivers side step bar and install using the M6 hardware included with the step bars. (Fig 9, 10, and 11)
9. Repeat steps 2-8 for passenger side
10. Align and adjust the step bars as needed then fully tighten all hardware at this time. Torque all M12 hardware to 50-55 ft lbs, M8 to 30-35, and M6 to 25 ft lbs

#### CARE INSTRUCTIONS

- REGULAR WAXING IS RECOMMENDED. DO NOT USE ANY TYPE OF POLISH OR WAX THAT MAY CONTAIN ABRASIVES
- STAINLESS STEEL PRODUCTS CAN BE CLEANED WITH MILD SOAP AND WATER. STAINLESS STEEL POLISH SHOULD BE USED TO POLISH SMALL SCRATCHES.
- GLOSS BLACK FINISHES SHOULD BE CLEANED WITH MILD SOAP AND WATER



Fig 1

Retainer locations



Fig 2



Westin Automotive Products, Inc.  
5200 N. Irwindale Ave. Suite 220  
Irwindale, Ca. 91706

Thank You for choosing Westin products  
For Additional installation assistance please call  
Customer service (800) 793-7846  
[www.westinautomotive.com](http://www.westinautomotive.com)



Fig 3



Fig 4

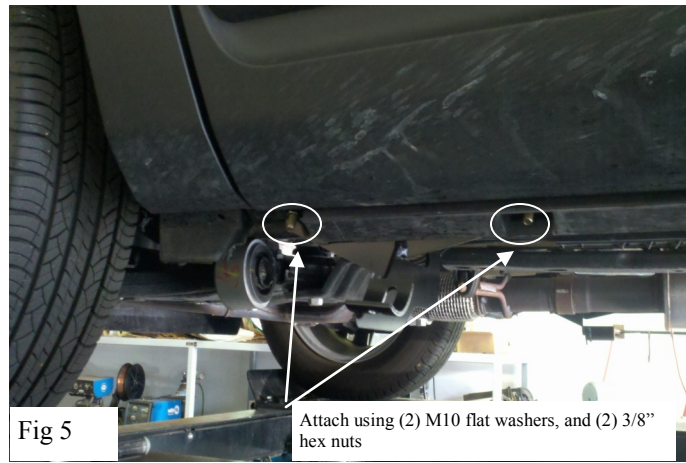


Fig 5

Attach using (2) M10 flat washers, and (2) 3/8" hex nuts



Fig 6



Fig 7



Fig 8



Westin Automotive Products, Inc.  
5200 N. Irwindale Ave. Suite 220  
Irwindale, Ca. 91706

Thank You for choosing Westin products  
For Additional installation assistance please call  
Customer service (800) 793-7846  
[www.westinautomotive.com](http://www.westinautomotive.com)

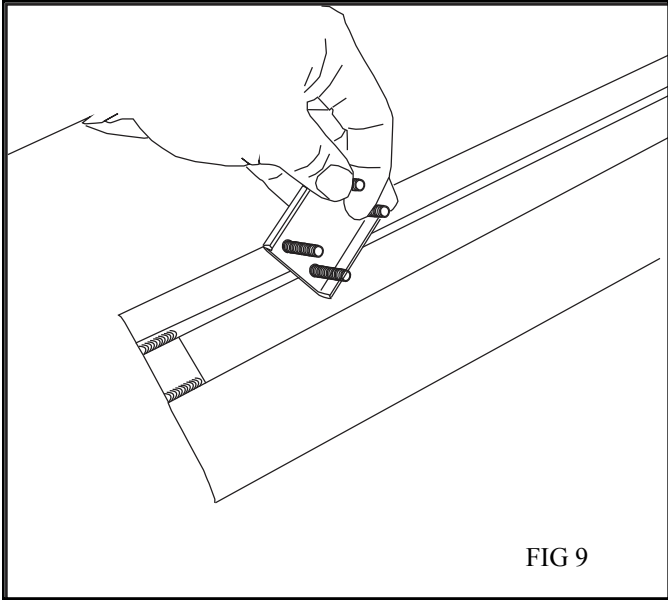


FIG 9

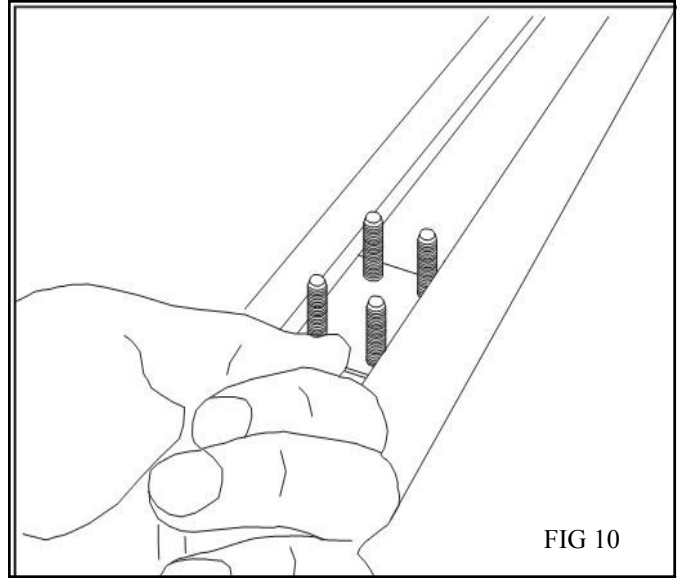


FIG 10

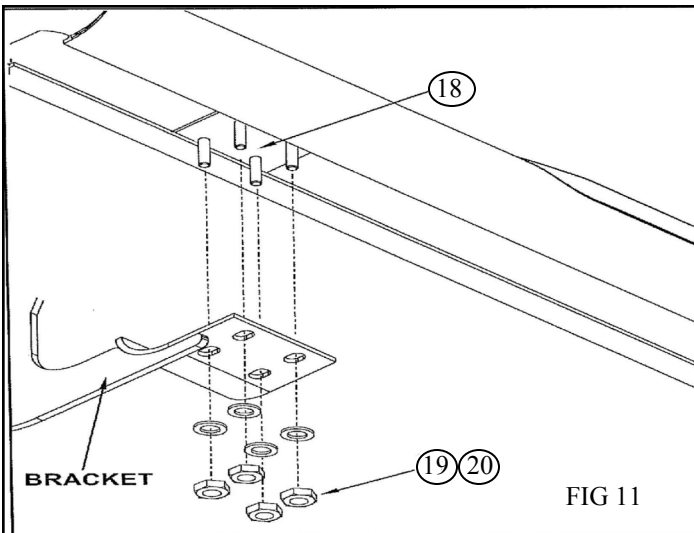


FIG 11



Installation complete



Westin Automotive Products, Inc.  
5200 N. Irwindale Ave. Suite 220  
Irwindale, Ca. 91706

Thank You for choosing Westin products  
For Additional installation assistance please call  
Customer service (800) 793-7846  
[www.westinautomotive.com](http://www.westinautomotive.com)