

## INSTRUCTIONS—INSTRUCCIONES—CONSIGNES

APPLICATION: 2000-12 CHEVY/GMC SUBURBAN/YUKON XL  
APP PART # 21-2990, 21-2995  
PLATINUM OVAL STEP BARS

ITEM	QUANTITY	DESCRIPTION	TOOLS NEEDED
1	2	STEP BARS	13MM SOCKET
2,3	2	FRONT MOUNTING BRACKETS (2) DRIVERS SIDE, (3) PASSENGER SIDE	18MM SOCKET
4,5	2	REAR MOUNTING BRACKETS (4) DRIVERS SIDE, (5) PASSENGER SIDE	19MM SOCKET
6,7	2	CENTER MOUNTING BRACKET (6) DRIVERS SIDE, (7) PASSENGER SIDE	21MM SOCKET
8	6	M12 X 120MM HEX HEAD BOLTS	3/4" SOCKET
9	6	M12 FLAT WASHERS	RATCHET
10	6	M12 LOCK WASHERS	TORQUE WRENCH
11	4	1/2" HEX HEAD BOLTS	
12	4	1/2" LOCK WASHERS	
13	4	1/2" FLAT WASHERS	
14	2	M8 HEX HEAD BOLTS	
15	2	M8 LOCK WASHERS	
16	2	M8 FLAT WASHERS	

1. Remove contents from box, verify if all parts listed are present and free from damage. Carefully read and understand all instructions before attempting installation.
2. From underneath truck, loosen and remove body mount bolts that run upward through mounts into floorboard. Attach and secure Front Mount Bracket to underside of vehicles front body mount (see Figure 2) with (1) M12 x 120mm bolt (For 07-on models, use the factory bolt on the vehicle), (1) M12 split lock washer, and (1) M12 flat washer. Hand Tighten.
3. Attach and secure Rear Mount Bracket to underside of vehicles rear body mount as shown in Figure 4, in same manner as the front. Repeat for Center Brace, (see Figure 3).
4. Attach Side Tube to Front and Rear Brackets using (1) 1/2" bolt, (1) 1/2" lock washer and (1) 1/2" flat washer for each bracket and hand tighten. Fasten Center Brace to Side Tube using (1) M8 Hex Bolt, (1) M8 Lock Washer and (1) M8 Flat Washer (see Figure 3). Adjust Side Tube so that it is level and centered, and tighten all bolts to complete the driver-side assembly. Torque all M12 fasteners to 55 ft lbs, 1/2" to 50-55 ft lbs, and M8 to 25 ft lbs.
5. Repeat process for passenger side of vehicle to complete installation.

### CARE INSTRUCTIONS

- REGULAR WAXING IS RECOMMENDED. DO NOT USE ANY TYPE OF POLISH OR WAX THAT MAY CONTAIN ABRASIVES
- STAINLESS STEEL PRODUCTS CAN BE CLEANED WITH MILD SOAP AND WATER. STAINLESS STEEL POLISH SHOULD BE USED TO POLISH SMALL SCRATCHES.
- GLOSS BLACK FINISHES SHOULD BE CLEANED WITH MILD SOAP AND WATER

FIG 1

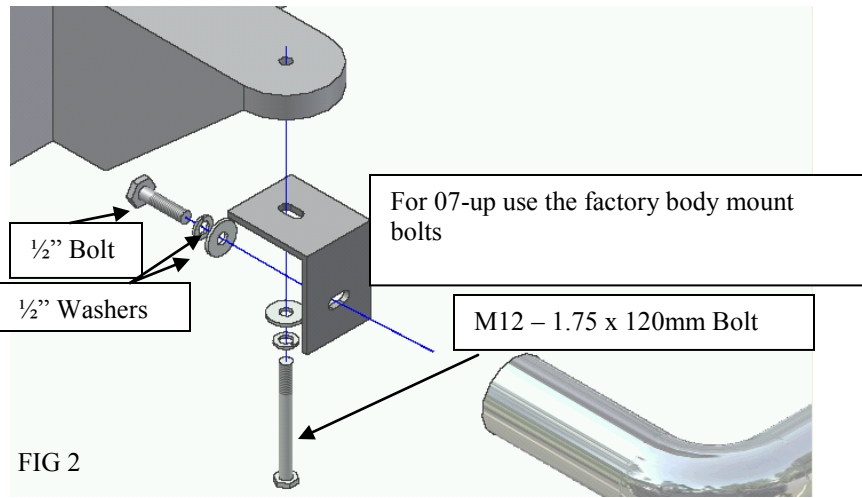
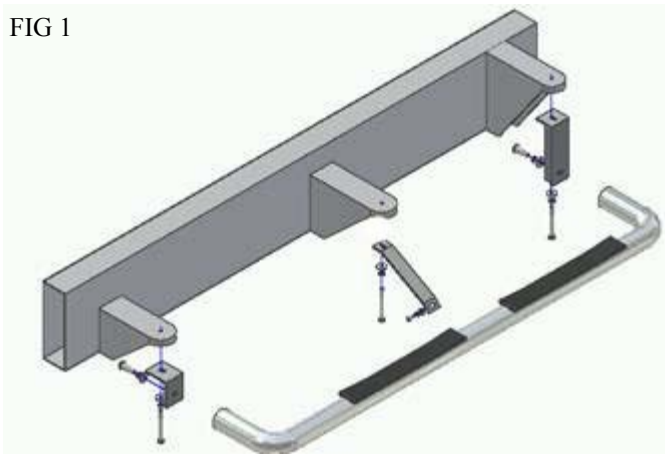


FIG 2

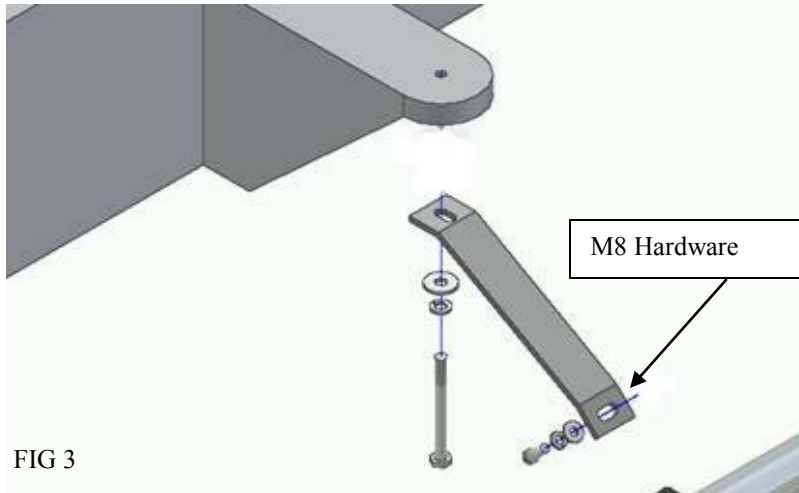


FIG 3

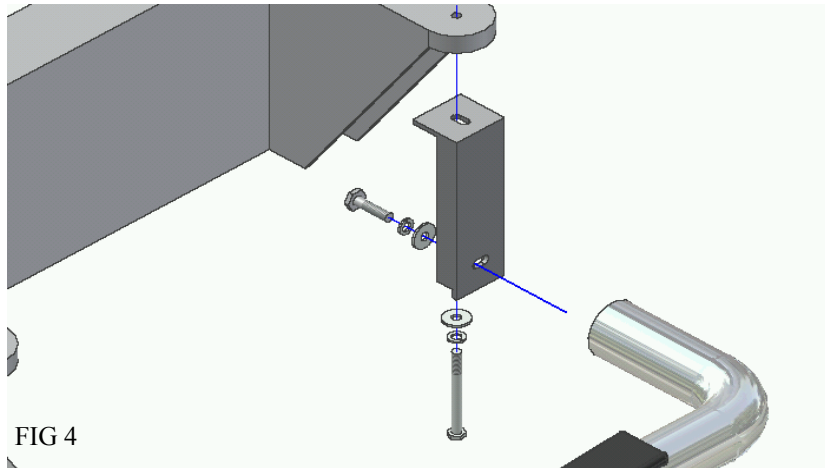


FIG 4



Westing Automotive Products, Inc.  
 5200 N. Irwindale Ave. Suite 220  
 Irwindale, Ca. 91706

Thank You for choosing Westin products  
 For Additional installation assistance please call  
 Customer service (800) 793-7846  
[www.westingautomotive.com](http://www.westingautomotive.com)