



AUTOMOTIVE PRODUCTS,

# INSTALLATION INSTRUCTIONS

## 6" PREMIER & 4" OVAL TUBE STEP BAR MOUNT KIT

### APPLICATION:

2014+ Chevrolet Silverado / GMC Sierra 1500 Double/Crew Cab

2015+ Chevrolet Silverado / GMC Sierra 2500/3500 Double/Crew Cab (Gas & Diesel)

### MOUNT KIT: 22-2015

Crew Cab: 6" Premier Oval: 22-6040, 22-6045

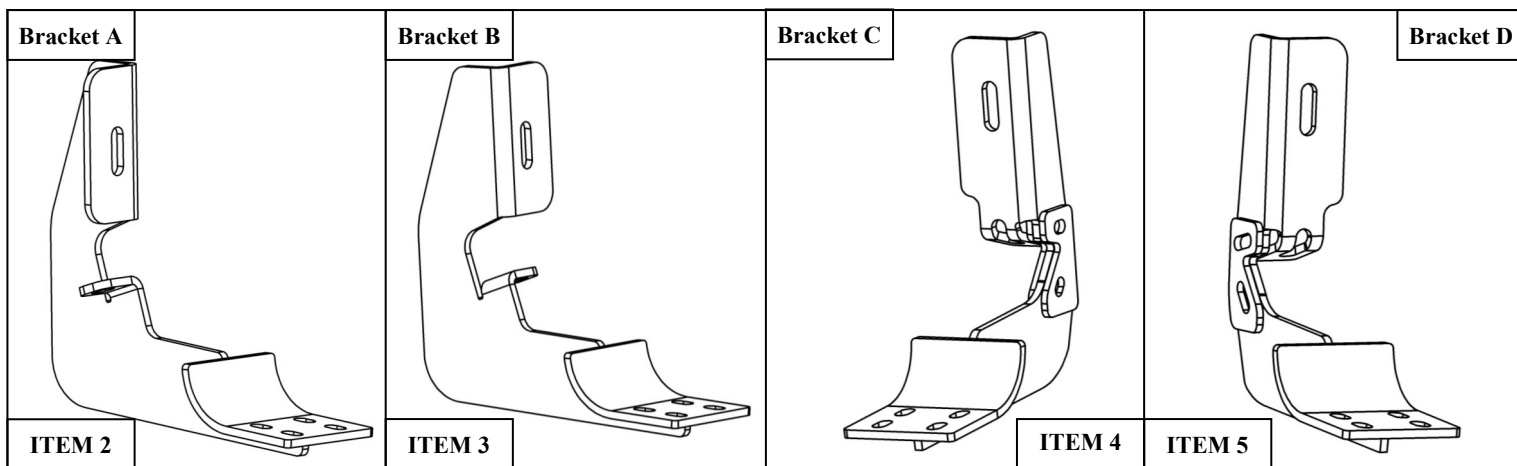
4" Oval: 22-5040, 22-5045

Double Cab: 6" Premier Oval: 22-6020, 22-6025

4" Oval: 22-5020, 22-5025

ITEM	QUANTITY	DESCRIPTION	TOOLS NEEDED
1	2	STEP BAR (SOLD SEPARATELY)	13MM SOCKET
2	2	MOUNT BRACKET A	13MM WRENCH
3	4	MOUNT BRACKET B	10MM SOCKET
4	1	MOUNT BRACKET C	RATCHET
5	1	MOUNT BRACKET D	TORQUE WRENCH
6	16	M8 HEX CAP SCREW (YELLOW ZINC)	
7	16	M8 FLAT WASHER (YELLOW ZINC)	
8	16	M8 LOCK WASHER (YELLOW ZINC)	
9	16	M8 NUT CLIP	
10	8	M6 BOLT PLATE (INCLUDED WITH STEP BARS)	
11	32	M6 FLAT WASHER (INCLUDED WITH STEP BARS)	
12	32	M6 NYLON LOCK NUTS (INCLUDED WITH STEP BARS)	

**ANTI-SEIZE LUBRICANT MUST BE USED ON ALL STAINLESS STEEL FASTENERS TO PREVENT THREAD DAMAGE AND GALLING**



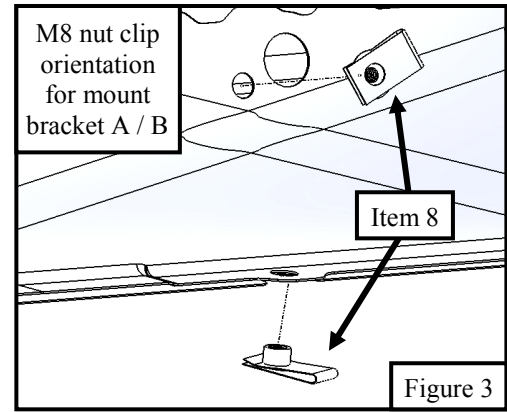
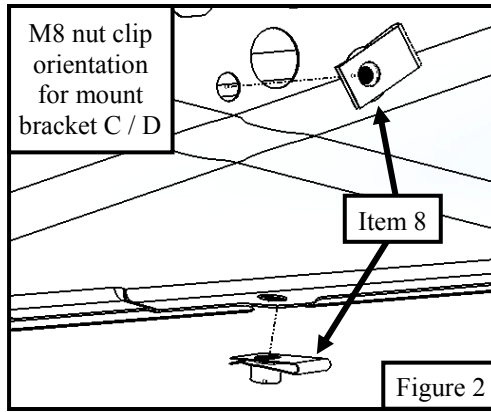
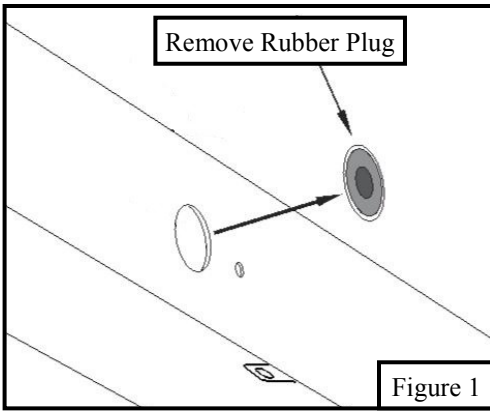
### PROCEDURE

- Remove contents from box, verify if all parts listed are present and free from damage. Carefully read and understand all instructions before attempting installation.  
**Failure to identify damage before installation could lead to a rejection of any claim.**
- Proceed to the passenger side rocker panel and locate the black rubber plugs and remove them see **Figure 1**. For bracket C (Item 4) mount location, install M8 nut clip (Item 5) as shown in **Figure 2**. Proceed to install the remaining M8 nut clips as shown in **Figure 3**.



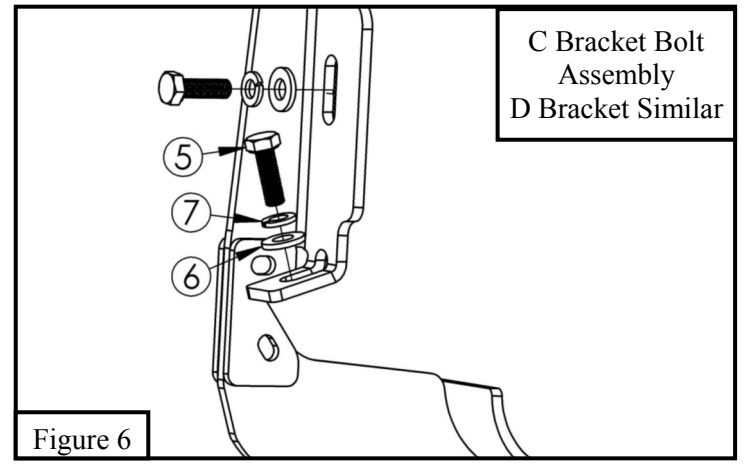
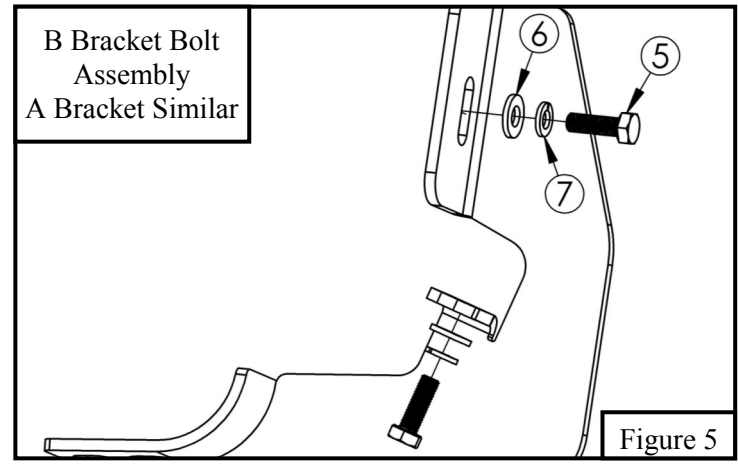
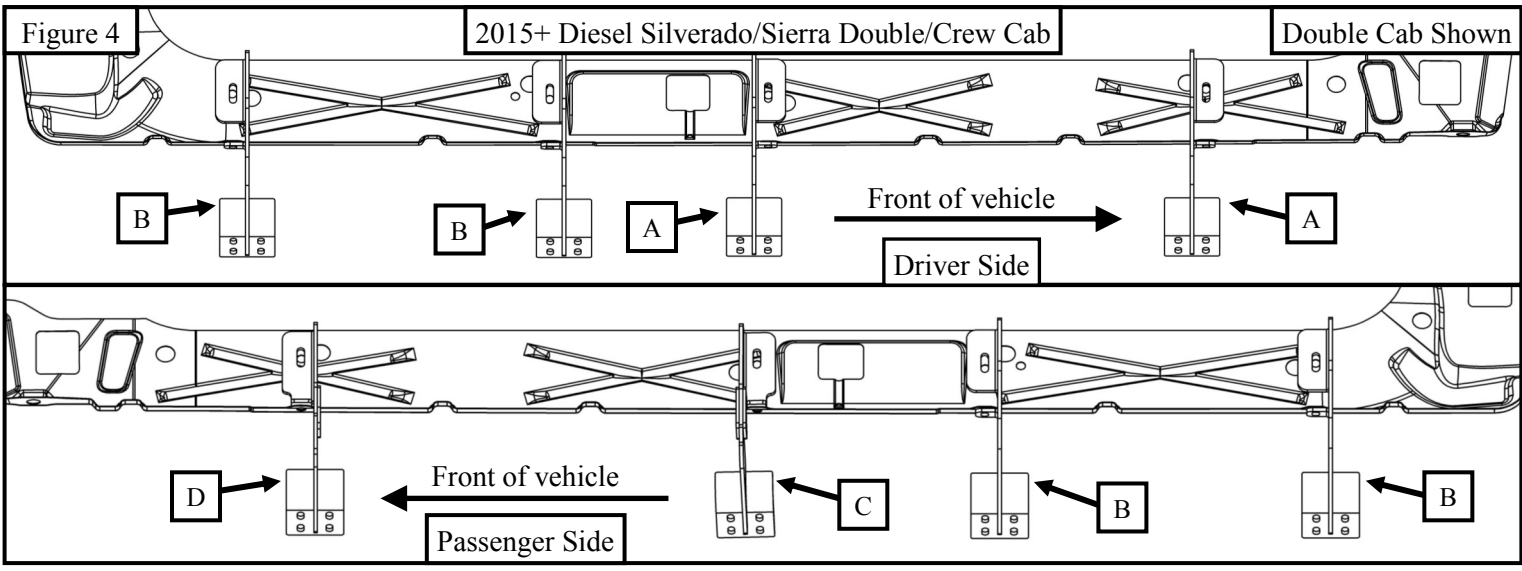
Westin Automotive Products, Inc.  
320 W. Covina Blvd  
San Dimas, Ca. 91773

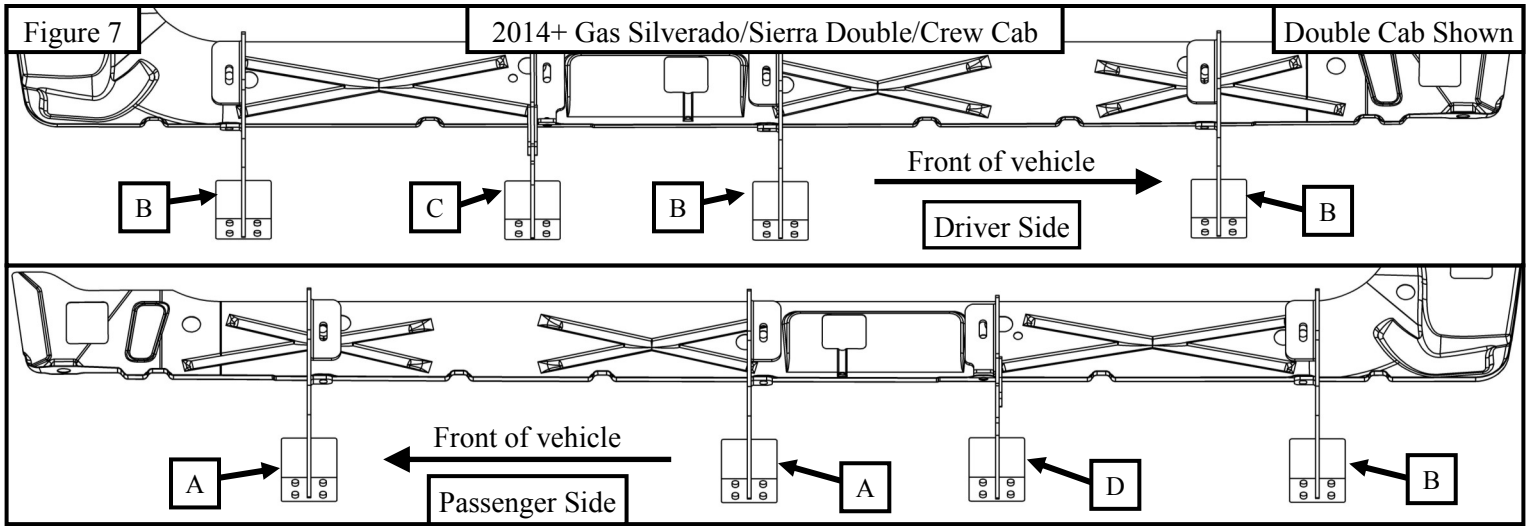
Thank you for choosing Westin products  
for additional installation assistance please call  
Customer Service (800) 793-7846



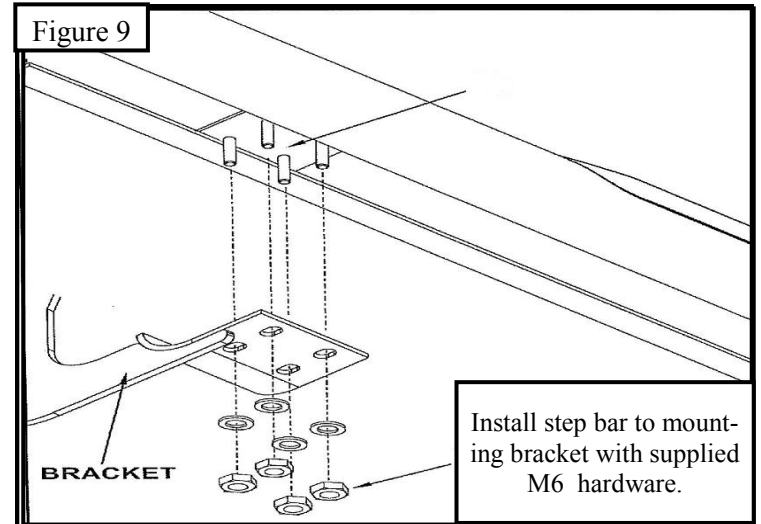
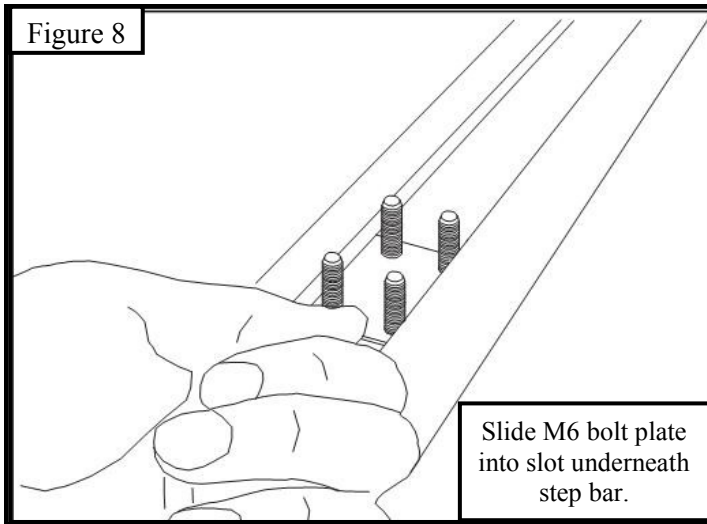
3. Take the mounting brackets and install the bracket and associated hardware loosely to it's corresponding positions see **Figures 4, 5, and 6**. Brackets used for the passenger side are (1) bracket C (Item 4), (1) bracket D (Item 5) and (2) bracket B (Item 3). The driver side will use the remaining (2) bracket B and (2) bracket A (Item 2). Do not fully tighten hardware at this time. **Note:** On 1500 crew cab models, front positions will have a welded nut on pinch weld and must refer to **Figure 7** for bracket installation.

**For 2015-2016 diesel equipped models:** The D.E.F tank must be removed prior to installing the front brackets on the passenger side. For D.E.F tank removal instructions, please refer to **page 5**. **Note:** Bracket location is critical.





4. Carefully install (2) M6 bolt plates (included with step bars) into the bottom of the step bar as shown see **Figure 8**. Place step bar onto bracket saddle and align the bolt plate to the saddle slot holes as shown see **Figure 9**. Once fully aligned, assemble with M6 fasteners see **Figure 9**.
5. Make sure the mounting brackets and step bar are aligned then proceed to fully tighten all hardware. Recommended torque values are 18 FT.LBS. for M8 hex head bolts and 8 FT.LBS. for M6 fasteners.
6. Proceed to reinstall D.E.F tank on 2011-16 diesel models.





### Care Instructions

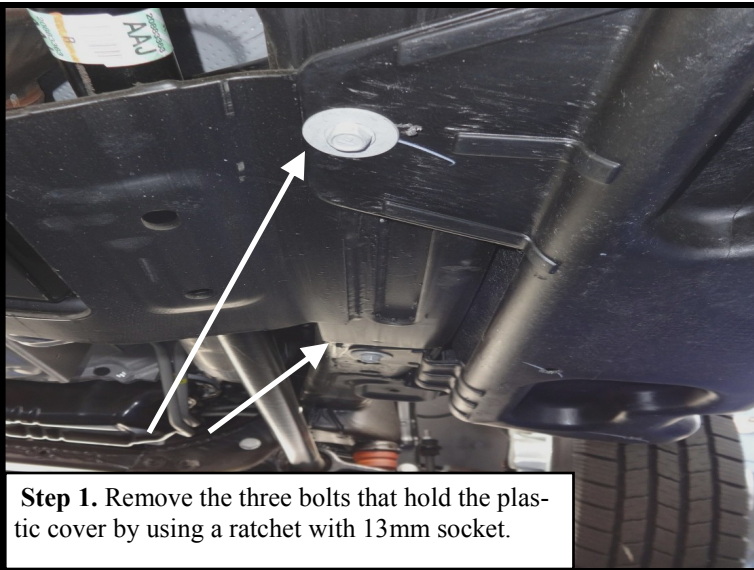
- REGULAR WAXING IS RECOMMENDED. DO NOT USE ANY TYPE OF POLISH OR WAX THAT MAY CONTAIN ABRASIVES.
- STAINLESS STEEL PRODUCTS CAN BE CLEANED WITH MILD SOAP AND WATER. STAINLESS STEEL POLISH SHOULD BE USED TO POLISH SMALL SCRATCHES.
- GLOSS BLACK FINISHES SHOULD BE CLEANED WITH MILD SOAP AND WATER.



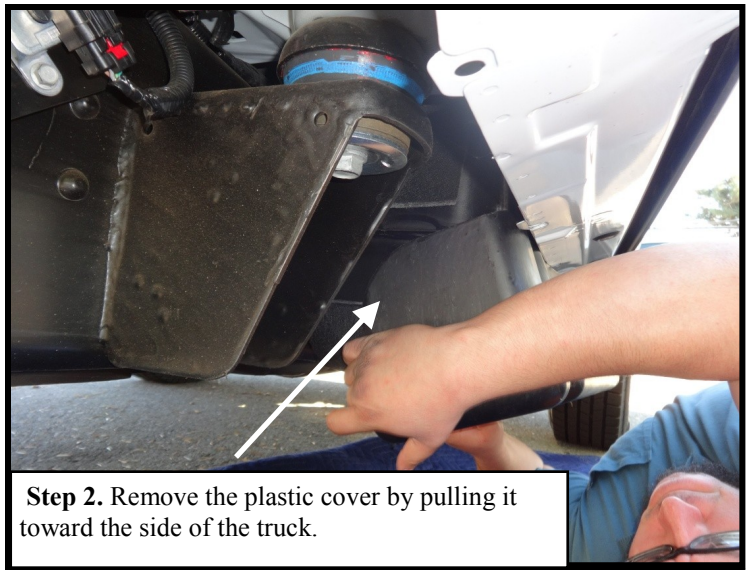
Westin Automotive Products, Inc.  
320 W. Covina Blvd  
San Dimas, Ca. 91773

Thank you for choosing Westin products  
for additional installation assistance please call  
Customer Service (800) 793-7846  
[www.westinautomotive.com](http://www.westinautomotive.com)

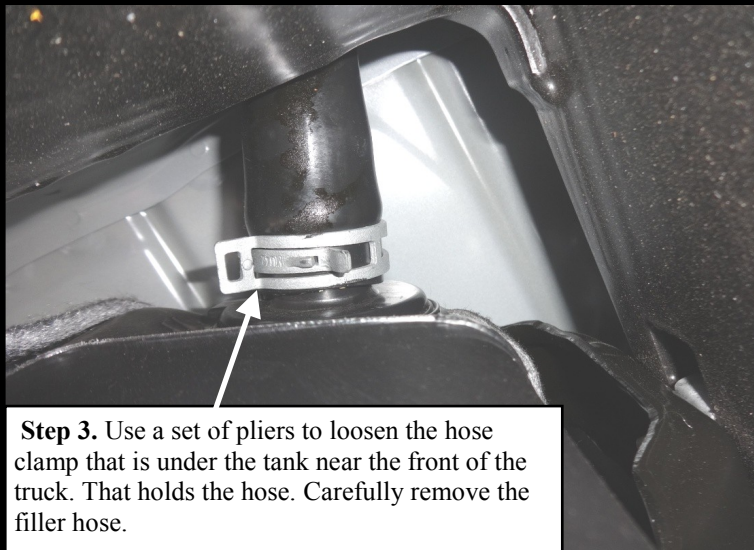
# DEF TANK REMOVAL INSTRUCTIONS FOR 11-16 DIESEL MODELS ONLY



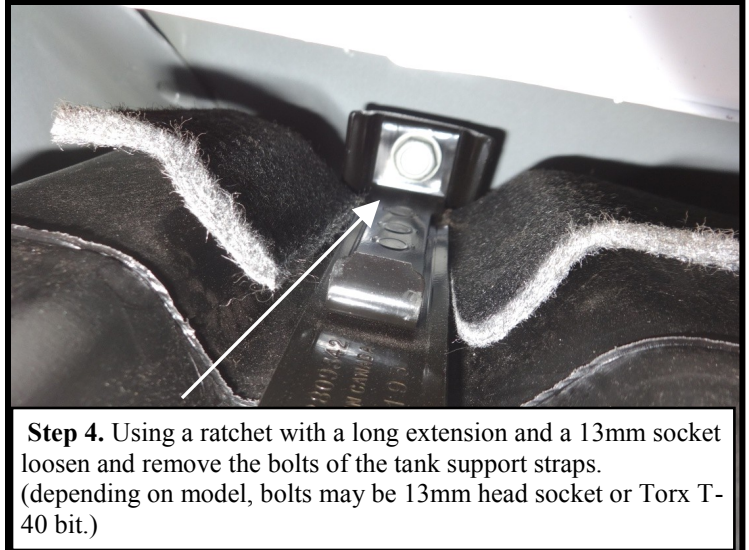
**Step 1.** Remove the three bolts that hold the plastic cover by using a ratchet with 13mm socket.



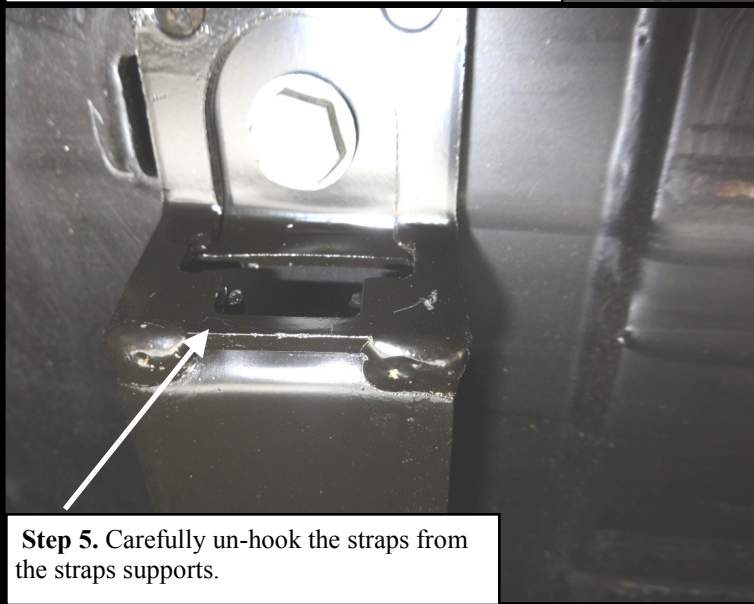
**Step 2.** Remove the plastic cover by pulling it toward the side of the truck.



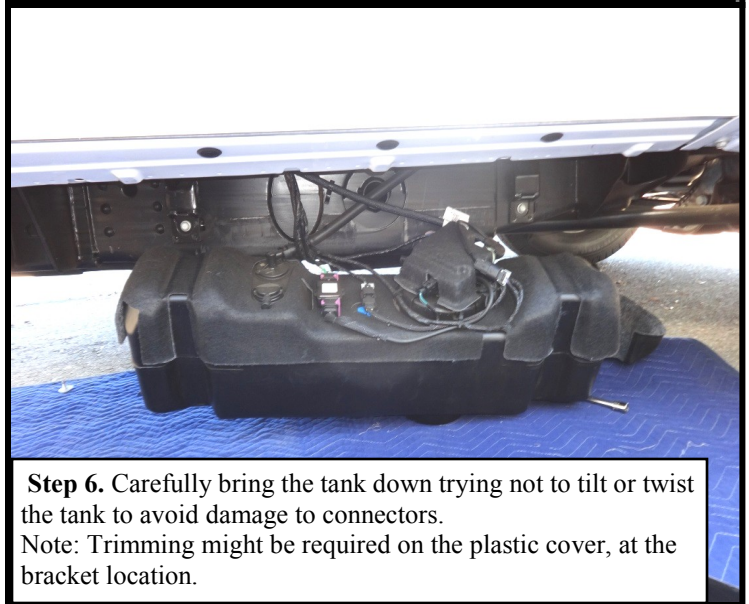
**Step 3.** Use a set of pliers to loosen the hose clamp that is under the tank near the front of the truck. That holds the hose. Carefully remove the filler hose.



**Step 4.** Using a ratchet with a long extension and a 13mm socket loosen and remove the bolts of the tank support straps. (depending on model, bolts may be 13mm head socket or Torx T-40 bit.)



**Step 5.** Carefully un-hook the straps from the straps supports.



**Step 6.** Carefully bring the tank down trying not to tilt or twist the tank to avoid damage to connectors.  
Note: Trimming might be required on the plastic cover, at the bracket location.



Westin Automotive Products, Inc.  
320 W. Covina Blvd  
San Dimas, Ca. 91773



SIGNATURE OF QUALITY

AUTOMOTIVE PRODUCTS, INC.



## WARNING



Failure to follow these instructions could lead to death, personal injury, and / or property damage.

### FASTENERS:

All Westin supplied fasteners must be utilized and installed in accordance with the installation instructions and apply torque to the specifications as defined. **DOUBLE CHECK ALL FASTENERS BEFORE INITIAL USE, AND PERIODICALLY IN THE FUTURE TO ENSURE PROPER FUNCTION AND SAFETY.**

### DRILLING:

Most Westin products do not require drilling for installation. If drilling is defined as required, use caution when drilling a vehicle. **FAILURE TO REVIEW AN AREA TO BE DRILLED MAY RESULT IN PERSONAL INJURY AND/OR INJURY TO OTHERS AS WELL AS VEHICLE DAMAGE.**

### EYE PROTECTION:

**ALWAYS WEAR SAFETY GLASSES OR GOGGLES DURING THE INSTALLATION PROCESS TO AVOID PERSONAL INJURY.**

### MAXIMUM TOWING/CARRYING CAPACITY:

The Westin Receiver Hitches will have a visible tow rating label affixed directly on the product. User should never exceed the vehicle manufacturers maximum tow and weight rating regardless of the capacity of the hitch. **FAILURE TO FOLLOW THESE GUIDELINES WILL VOID THE WESTIN WARRANTY AND MAY RESULT IN PERSONAL INJURY AND/OR INJURY TO OTHERS AS WELL AS VEHICLE DAMAGE.**



Westin Automotive Products, Inc.  
320 W. Covina Blvd  
San Dimas, Ca. 91773