



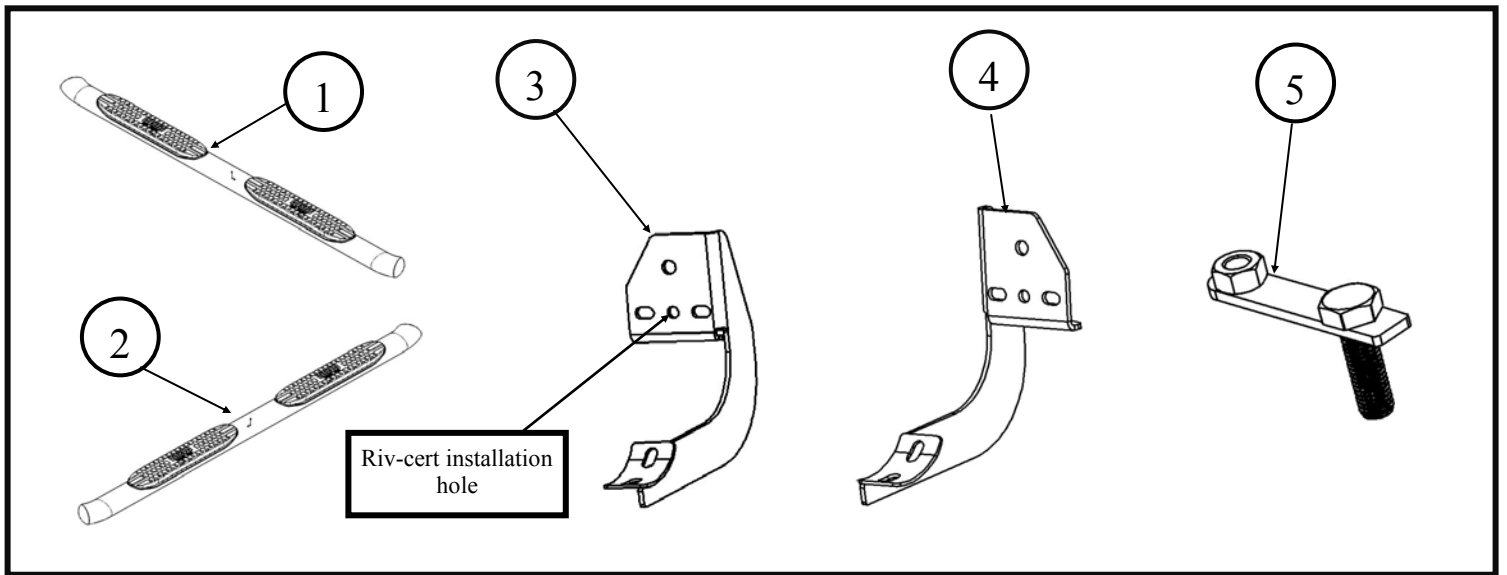
INSTALLATION INSTRUCTIONS

APPLICATION: 09-15 DODGE RAM 1500 CREW CAB/QUAD CAB, 10-15 DODGE RAM
2500/3500 HD CREW CAB
APP PART # 21-23550, 21-23555, 21-23560, 21-23565
PRO TRAXX STEP BARS

AUTOMOTIVE PRODUCTS, INC.

ITEM	QUANTITY	DESCRIPTION	TOOLS NEEDED
1,2	2	STEP BARS (2) DRIVERS SIDE (CLEAR SLEEVE) , (3) PASSENGER SIDE (COLORED SLEEVE)	16MM SOCKET
3	3	DRIVERS SIDE FRONT/CENTER, REAR PASSENGER SIDE MOUNTING BRACKET (SEE FIG 6)	18MM SOCKET
4	3	PASSENGER SIDE FRONT/CENTER, REAR DRIVERS SIDE MOUNTING BRACKET (SEE FIG 6)	ALLEN KEY (INCLUDED)
5	6	M12 BOLT/M10 NUT PLATE	RATCHET
6	12	M10-1.5X 30MM HEX HEAD BOLT	TORQUE WRENCH
7	12	M10X20MM OD FLAT WASHER	
8	12	M10 LOCK WASHER	
9	6	M10 RIV-CERTS	
10	6	M12X24MM OD FLAT WASHERS	
11	6	M12 HEX NUTS	
12	6	M12 LOCK WASHERS	
13	12	M10-1.5 X 25MM BUTTON HEAD BOLTS (STAINLESS STEEL)	
14	12	M10 X 20MM OD FLAT WASHERS (STAINLESS STEEL)	
15	12	M10 INTERNAL TOOTHED LOCK WASHER (STAINLESS STEEL)	
16	6	PLASTIC RETAINERS	

ANTI-SEIZE LUBRICANT MUST BE USED ON ALL STAINLESS STEEL FASTENERS TO PREVENT THREAD DAMAGE AND GALLING

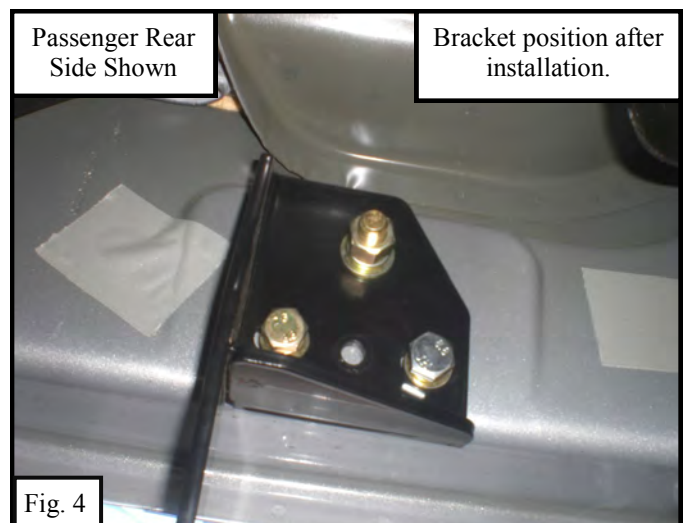
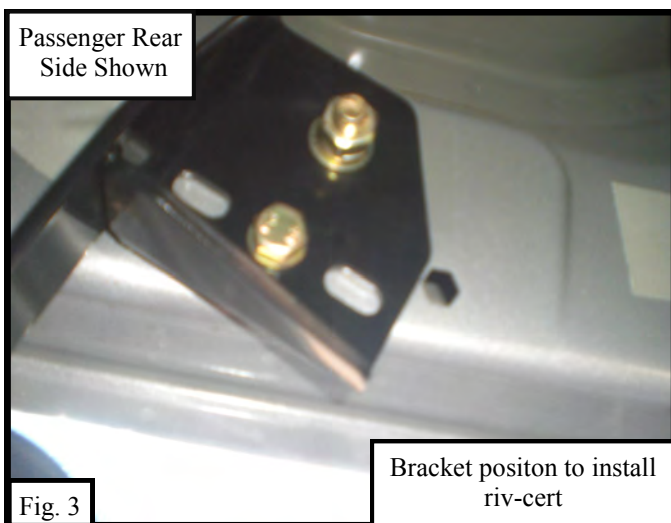
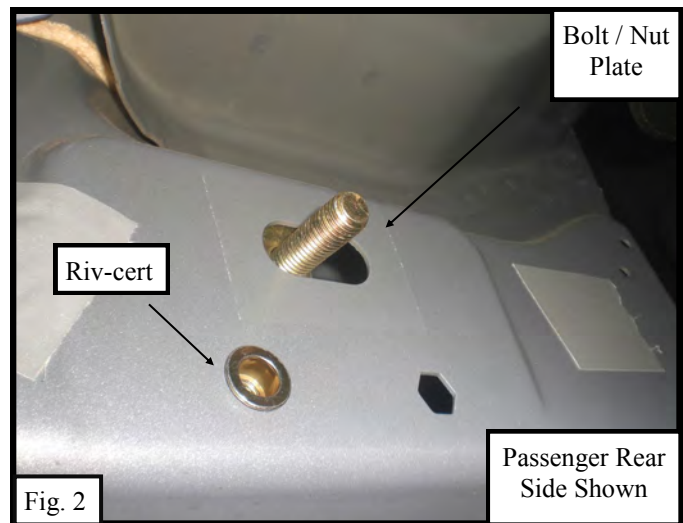
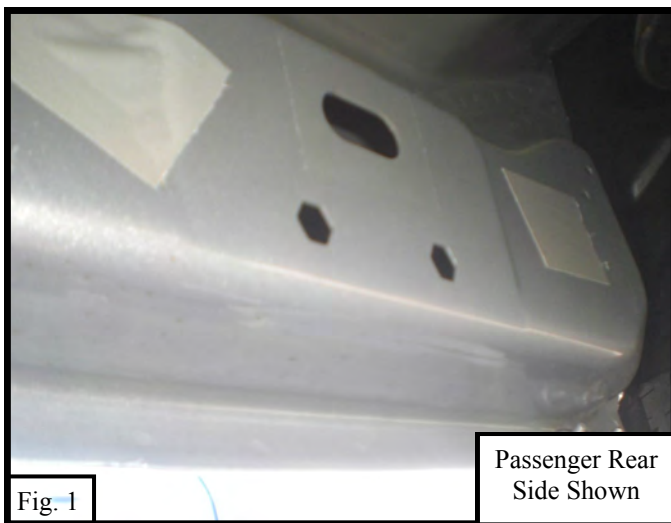


Westin Automotive Products, Inc.
320 W. Covina Blvd
San Dimas, Ca. 91773

Thank You for choosing Westin products
For Additional installation assistance please call
Customer service (800) 793-7846

PROCEDURE

1. Remove contents from box, verify if all parts listed are present and free from damage. Carefully read and understand all instructions before attempting installation.
2. Starting on the drivers side of the vehicle, locate the square tape covering the factory holes in the rocker panel (**FIG 1**). Insert (1) M12 bolt plate into the rocker panel and thread on (1) plastic retainer to the M12 bolt to prevent it from falling into the rocker panel (**FIG 2**).
3. Take (1) M10 riv-cert and place it into the lower left hexagonal hole FIG 2. To install the riv-cert take the drivers side front mounting bracket and loosely attach it to the previously installed M12 bolt/M10 nut plate using (1) M12 flat washer, (1) M12 lock washer, and (1) M12 hex nut. Locate the circular hole in the middle of the mounting bracket and position it over the riv-cert. Take (1) M10 hex head bolt and (1) M10 flat washer and carefully thread it through the circular hole in the bracket into the riv-cert, then tighten the M10 hex head bolt fully. This will seat the riv-cert into the rocker panel making the riv-cert permanently installed (**FIG 3**). Remove the M10 hex head bolt and flat washer and move the front mounting bracket into its normal position. Attach the mounting bracket to the installed riv-cert and M12 bolt / M10 nut plate using (2) M10 hex head bolts, (2) M12 lock washers, and (2) M10 flat washers (**FIG 4**). Do not fully tighten at this time. Refer to **Figure 5** for a picture showing the hardware used to mount the brackets onto the rocker panel.
4. Repeat step 2-3 for the rest of the drivers and passenger side brackets. Refer to **Figure 6** for proper bracket orientation.
5. Attach the step bars to the previously installed brackets using (12) M10 button head bolts (stainless steel), (12) M10 toothed lock washers (stainless steel), and (12) M10 flat washers (stainless steel). Do not fully tighten at this time (**FIG 7**).
6. Align and adjust the step bars as needed then fully tighten all hardware at this time. Torque all M10 fasteners to 25-30 ft-lbs, and M12 to 45-50 ft-lbs.



Westin Automotive Products, Inc.
320 W. Covina Blvd
San Dimas, Ca. 91773

Thank You for choosing Westin products
For Additional installation assistance please call
Customer service (800) 793-7846

Bracket to rocker panel assembly
(Driver rear bracket shown
mounted on rocker panel.)

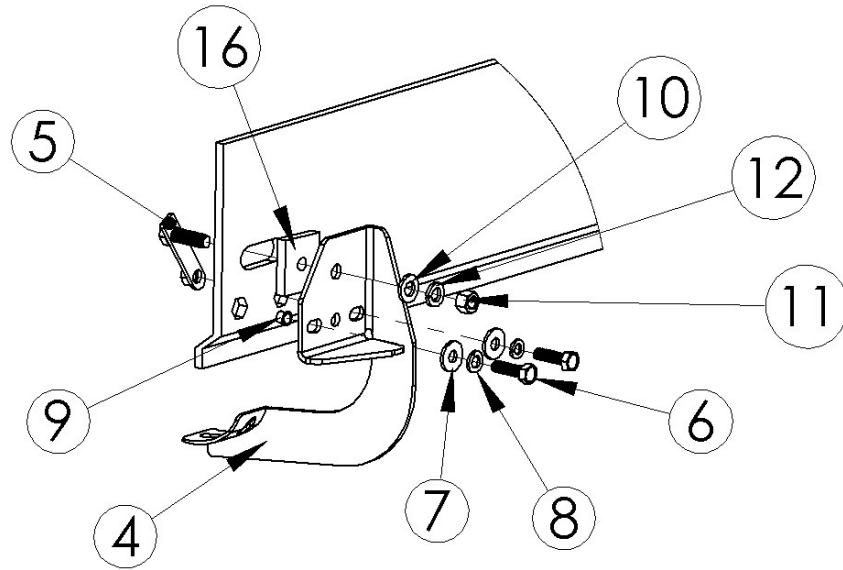


Fig. 5

Orientation of brackets on rocker
panel.
NOT TO SCALE.
(Drivers side shown, passenger
side opposite)

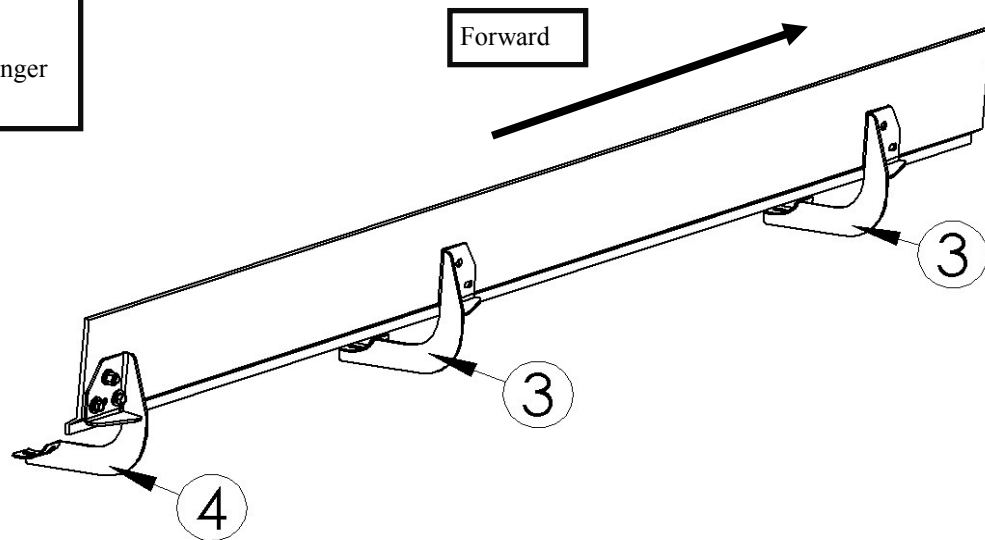


Fig. 6



Westin Automotive Products, Inc.
320 W. Covina Blvd
San Dimas, Ca. 91773

Thank You for choosing Westin products
For Additional installation assistance please call
Customer service (800) 793-7846
www.westinautomotive.com

Bracket to step bar assembly
(Driver side shown)

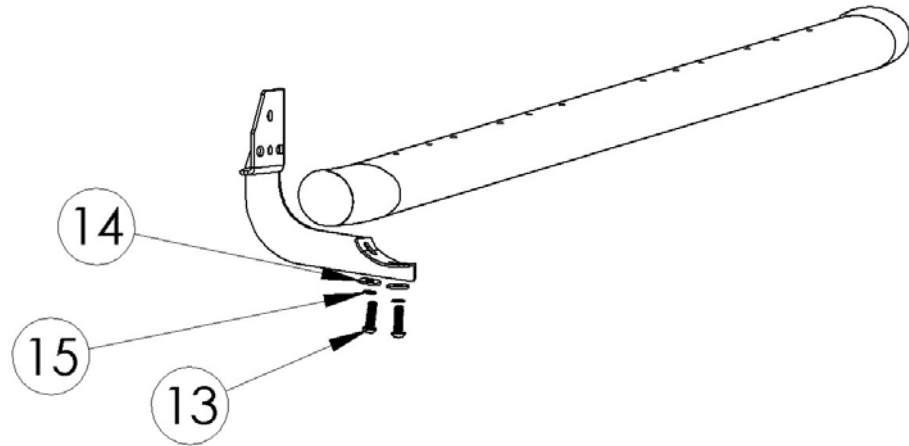


Fig. 7



INSTALLATION COMPLETE

CARE INSTRUCTIONS

- REGULAR WAXING IS RECOMMENDED. DO NOT USE ANY TYPE OF POLISH OR WAX THAT MAY CONTAIN ABRASIVES.
- STAINLESS STEEL PRODUCTS CAN BE CLEANED WITH MILD SOAP AND WATER. STAINLESS STEEL POLISH SHOULD BE USED TO POLISH SMALL SCRATCHES.
- GLOSS BLACK FINISHES SHOULD BE CLEANED WITH MILD SOAP AND WATER.



Westin Automotive Products, Inc.
320 W. Covina Blvd
San Dimas, Ca. 91773

Thank You for choosing Westin products
For Additional installation assistance please call
Customer service (800) 793-7846

www.westinautomotive.com