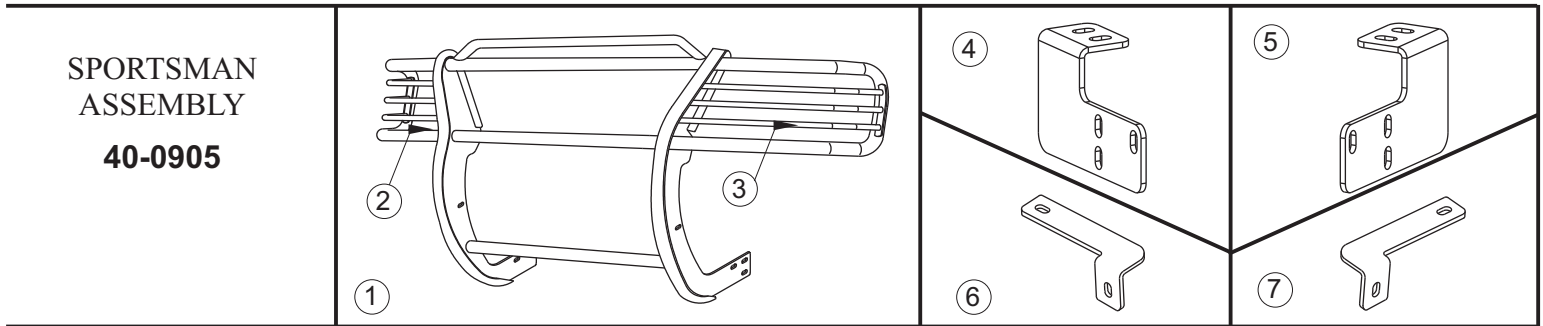




INSTALLATION INSTRUCTIONS

APPLICATION: 1998-04 TOYOTA TACOMA 4 WHEEL DRIVE

AUTOMOTIVE PRODUCTS, INC.



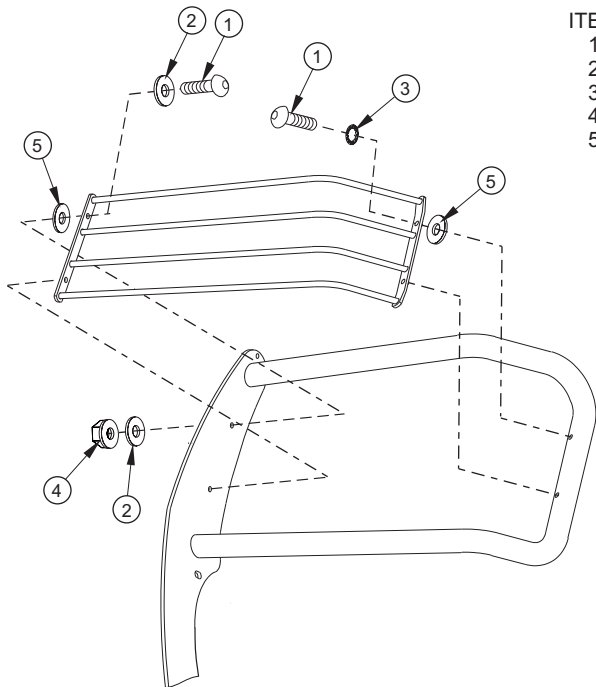
PARTS KIT CONTENTS

ITEM	QTY	DESCRIPTION	ITEM	QTY	DESCRIPTION
1	1	SPORTSMAN ASSEMBLY	13	2	M12-1.75 X 140 MM HEX HEAD BOLT, YELLOW ZINC
2,3	2	LIGHT GUARD ASSEMBLY, PASSENGER (2) AND DRIVER (3)	14	4	1/2" FLAT WASHER, YELLOW ZINC
4,5	2	MOUNT BRACE, PASSENGER (4) AND DRIVER (5)	15	2	1/2" LOCK WASHER, YELLOW ZINC
6,7	2	BOTTOM BRACKET, PASSENGER (6) AND DRIVER (7)	16	2	M12-1.75 HEX NUT
8	2	SPACER TUBE	17	2	3/8-16 X 1.25" HEX HEAD BOLT, STAINLESS
9	6	1/2-13 X 1.25" HEX HEAD BOLT, STAINLESS	18	4	3/8" FLAT WASHER, STAINLESS
10	12	1/2" FLAT WASHER, STAINLESS	19	2	3/8" LOCK WASHER, STAINLESS
11	6	1/2" LOCK WASHER, STAINLESS	20	2	3/8-16 HEX NUT, STAINLESS
12	6	1/2-13 HEX NUT, STAINLESS			

TOOLS REQUIRED

3/4" SOCKET	3/4" WRENCH	9/16" SOCKET	9/16" WRENCH	7/16" WRENCH
5/32" WRENCH	18MM SOCKET	18MM WRENCH	17MM SOCKET	1/2" DRILL BIT
DRILL	RATCHET	TORQUE WRENCH		

- STEP 1. Remove the contents from box and check for damage. Verify all parts are present. Read instructions completely before beginning.
- STEP 2. Attach light guard assemblies as shown. **SEE FIGURE 1.**
- STEP 3. Locate and remove the tie down loop/ tow hook bolts. Determine passenger and driver side mount brackets. Install mount brackets between frame and tie down loops (and tow hook passenger side) with previously removed bolts. Hand tighten.
- STEP 4. Place Sportsman Assembly face down under front of vehicle. Line up rear slot in mount bracket with the rear most slot in Sportsman Assembly. Attach Sportsman to brackets using 1/2" fasteners on each side as shown. Hand tighten. **SEE FIGURE 2.**
- STEP 5. Rotate Sportsman Assembly up towards bumper until remaining slots in mount brackets line up. Secure using remaining 1/2" fasteners on each side as shown. Hand tighten.
- STEP 6. Determine passenger and driver support braces. Attach support braces to uprights using 3/8" fasteners as shown. Attach support braces to vehicle with spacer between brace and frame as shown. **SEE FIGURE 2.** Some vehicles may require enlargement of holes in the frame using a 1/2" drill bit if necessary.
- STEP 7. Center and level Sportsman with vehicle and tighten all fasteners. Recommended torque specs are 61 Ft. Lbs. for 12mm tie down loop/tow hook bolts, 55 Ft. Lbs. for M12-1.75 x 40mm hex head bolt, 43 Ft.Lbs. for 1/2" stainless steel fasteners, and 20 Ft. Lbs. for 3/8" stainless steel fasteners.



ITEM	QTY.	DESCRIPTION
1	8	1/4-20 X 1.00" BUTTON HEAD BOLT
2	8	1/4" FLAT WASHER
3	4	1/4" INTERNAL TOOTH LOCK WASHER
4	4	1/4-20 NYLON NUT
5	8	RUBBER WASHER

NOTE: ALL FASTENERS MAY NOT BE USED.

FIGURE 1
LIGHT GUARD INSTALLATION

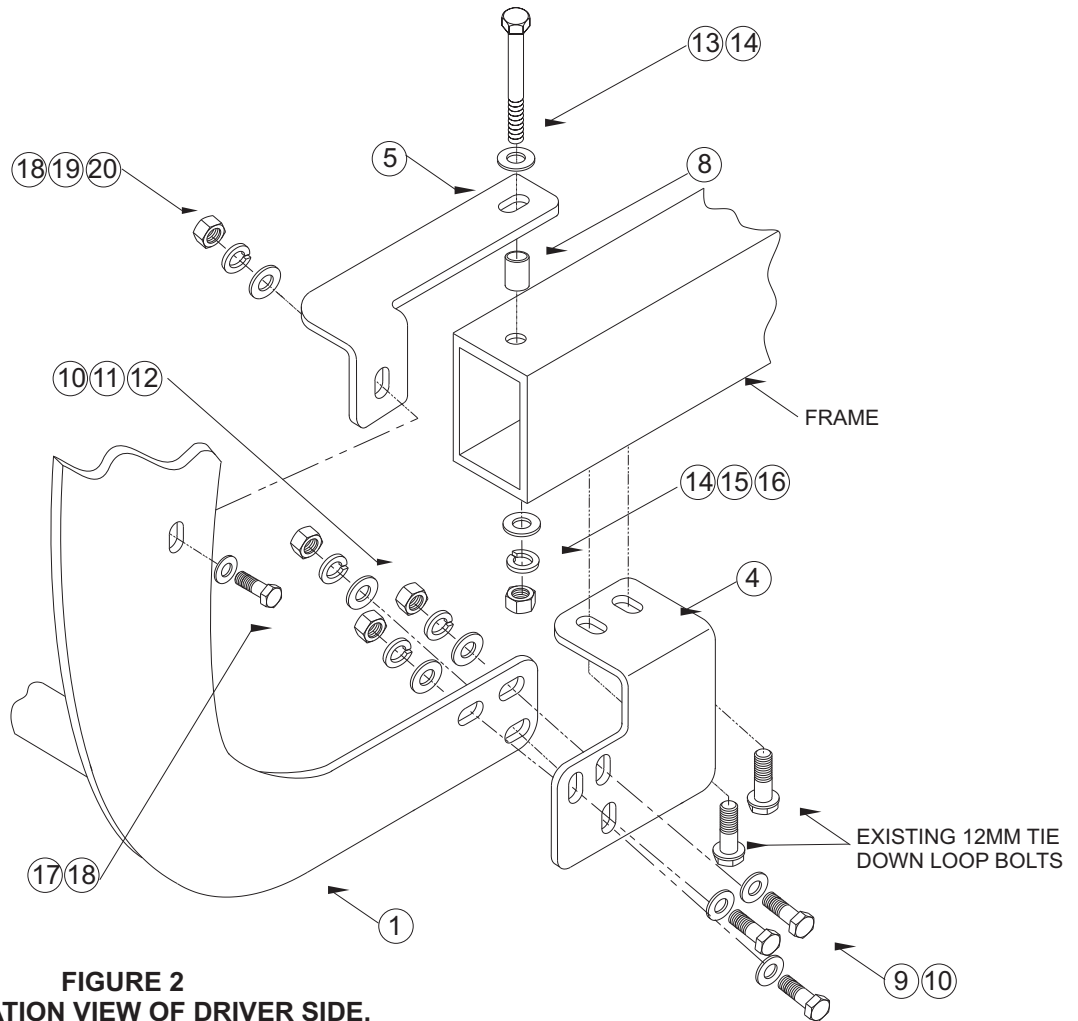


FIGURE 2
INSTALLATION VIEW OF DRIVER SIDE,
PASSENGER SIDE OPPOSITE

Finish protection - Westin products have a high quality finish that must be cared for like any other exposed finish on the vehicle. Protect the finish with a non-abrasive automotive wax (pure carnauba, for example) on a regular basis. The use of cleaner wax or any compound which contains an abrasive is detrimental, as the compounds scratch the finish and open it to



Westin Automotive Products, Inc.
5200 N. Irwindale Ave. Suite 220
Irwindale, Ca. 91706

Thank You for choosing Westin products
For additional installation assistance please call
Customer service (800) 793-7846 or (507) 375-3559