

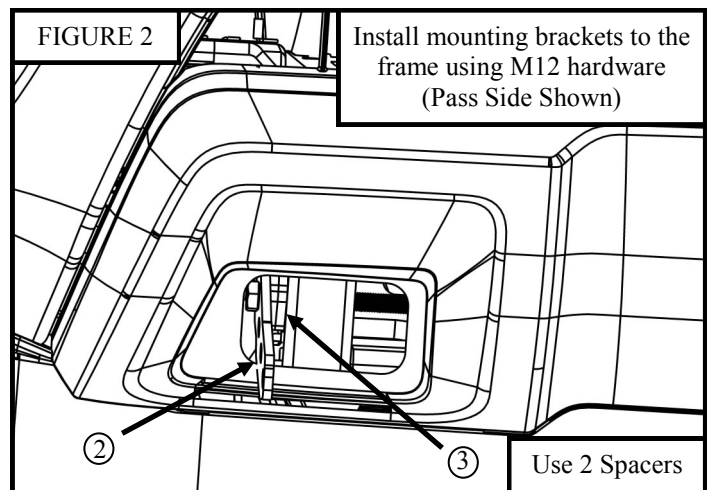
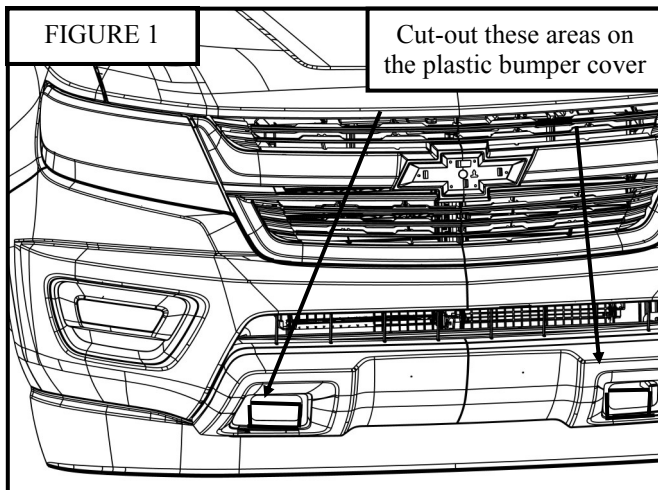
INSTALLATION INSTRUCTIONS

APPLICATION: ULTIMATE BULL BAR / 2015 & UP CHEVY COLORADO AND GMC CANYON
APP PART #32-3640, 32-3645

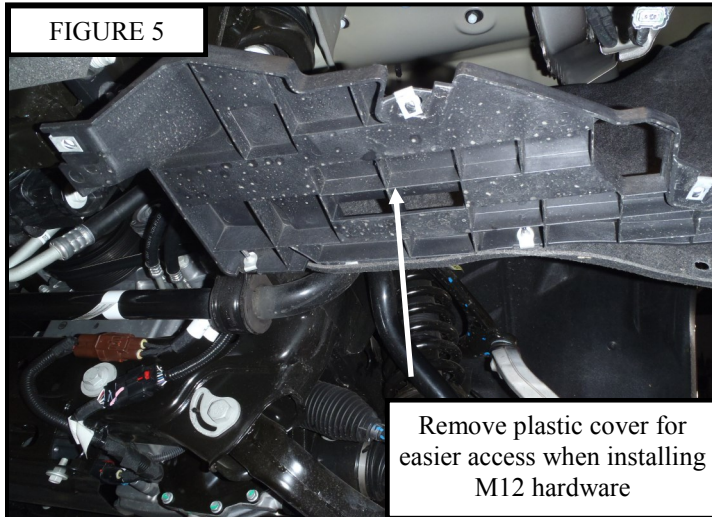
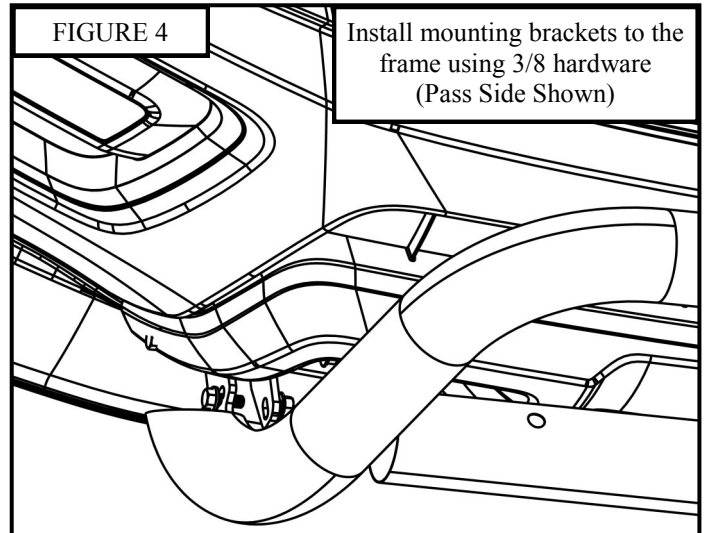
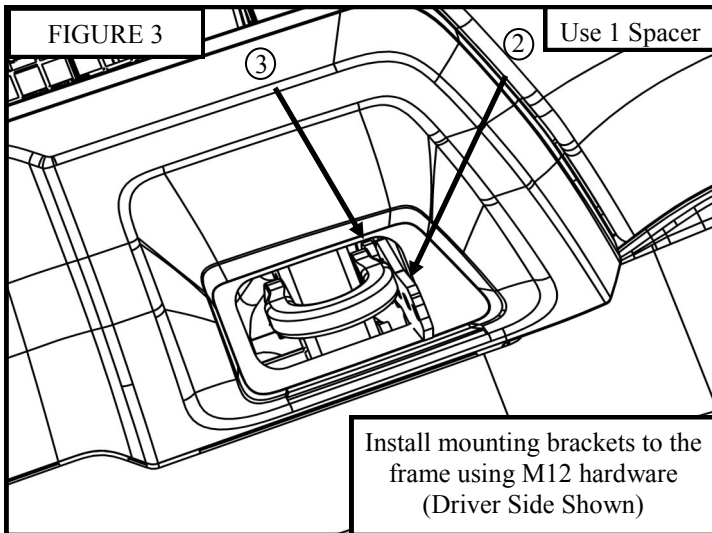
ITEM	QUANTITY	DESCRIPTION	TOOLS NEEDED
1	1	BULL BAR ASSEMBLY	RATCHET
2	2	LOWER MOUNTING BRACKET	UTILITY KNIFE
3	4	2 HOLE SPACER	18MM SOCKET
4	4	M12 HEX CAP SCREW (YELLOW ZINC)	ALLEN WRENCH
5	4	M12 HEX NUT (YELLOW ZINC)	9/16" WRENCH
6	8	1/2 FLAT WASHER (YELLOW ZINC)	TORQUE WRENCH
7	4	M12 SPLIT LOCK WASHER (YELLOW ZINC)	9/16 SOCKET
8	6	3/8 HEX HEAD CAP SCREW (STAINLESS)	
9	6	3/8 FLAT WASHER (STAINLESS)	
10	6	3/8 SERRATED FLANGE NUT (STAINLESS)	

ANTI-SEIZE LUBRICANT MUST BE USED ON ALL STAINLESS STEEL FASTENERS TO PREVENT THREAD DAMAGE

1. Remove contents from box, verify if all parts listed are present and undamaged. Carefully read and understand all instructions before attempting installation.
2. **For vehicles without factory tow hooks** trim the plastic in the areas in Figure 1. Repeat for the passenger side. (Note: For vehicles without tow hooks use 2 spacers per side)
3. **For vehicles without factory tow hooks** Loosely install the Lower Mounting Bracket using the supplied M12 hardware as shown in Figure 2. Repeat for passenger side. (Note: For easier access remove plastic covers see Figure 5)
4. **For vehicles with factory tow hooks** remove factory hardware. Install one spacer between tow hook and mounting bracket with supplied M12 hardware. Repeat for drivers side. (See Figure 3)

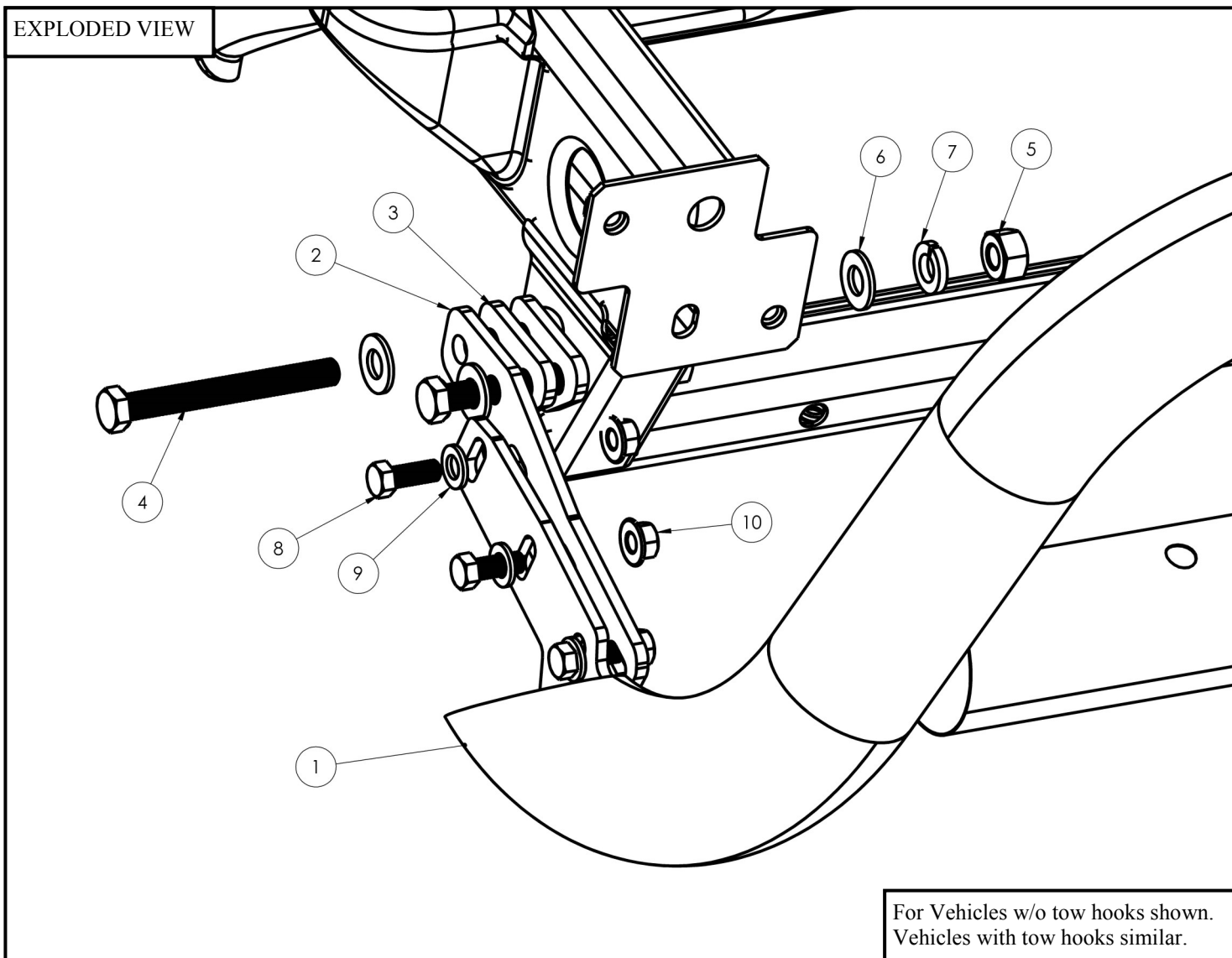


5. Remove the factory front license plate holder. It cannot be re-used.
6. With assistance hold the Bull Bar up to the previously installed brackets. Loosely attach the Bull Bar to the brackets using the supplied 3/8" hardware. Refer to Figure 4.
7. Align and adjust the Bull Bar as necessary. Tighten and torque all hardware : 3/8" to 20-25ft-lbs., M12 to 50-55 ft-lbs.
6. Westin offers a Bull Bar Front License Relocator Kit (P/N 32-0055) for use on vehicles registered in states that require a front license plate.



Westin Automotive Products, Inc.
320 Covina Blvd
San Dimas, Ca. 91773

Thank You for choosing Westin products
For Additional installation assistance please call
Customer service (800) 793-7846
www.westinautomotive.com



CARE INSTRUCTIONS

- REGULAR WAXING IS RECOMMENDED. DO NOT USE ANY TYPE OF POLISH OR WAX THAT MAY CONTAIN ABRASIVES.
- STAINLESS STEEL PRODUCTS CAN BE CLEANED WITH MILD SOAP AND WATER. STAINLESS STEEL POLISH SHOULD BE USED TO POLISH SMALL SCRATCHES.
- GLOSS BLACK FINISHES SHOULD BE CLEANED WITH MILD SOAP AND WATER.



Westin Automotive Products, Inc.
320 Covina Blvd
San Dimas, Ca. 91773

P.N.: 75-1047 REV A

ECO #: W14-0092

3

Thank You for choosing Westin products
For Additional installation assistance please call
Customer service (800) 793-7846
www.westinautomotive.com

DATE: 12/15/14