



AUTOMOTIVE PRODUCTS,

INSTALLATION INSTRUCTIONS

ULTIMATE BULL BAR

APPLICATION:

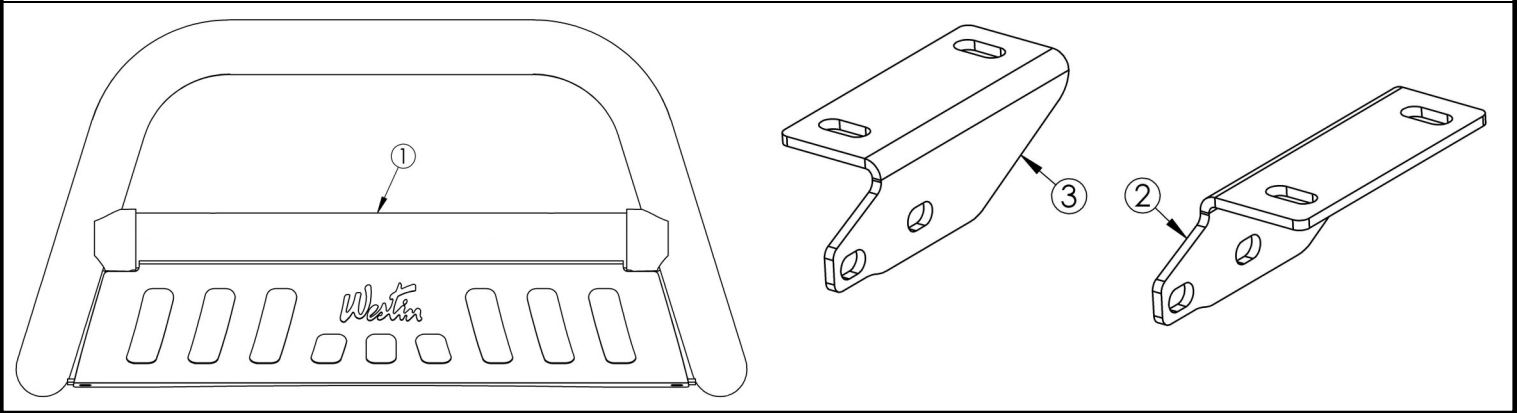
2016 Nissan Titan XD

PART NUMBER:

32-3650, 32-3655

ITEM	QUANTITY	DESCRIPTION	TOOLS NEEDED
1	1	ULTIMATE BULL BAR	18MM SOCKET
2,3	2	MOUNT BRACKET, PASSENGER (2) AND DRIVER (3)	18MM WRENCH
4	4	M12 HEX HEAD CAP SCREW (YELLOW ZINC)	RATCHET
5	6	M12 FLAT WASHER (YELLOW ZINC)	TORQUE WRENCH
6	4	M12 SPLIT LOCK WASHER (YELLOW ZINC)	
7	4	M12 HEX HEAD CAP SCREW (BLACK ZINC)	
8	4	M12 SPLIT LOCK WASHER (BLACK ZINC)	
9	8	M12 FLAT WASHER (BLACK ZINC)	
10	4	M12 HEX NUT (BLACK ZINC)	

ANTI-SEIZE LUBRICANT MUST BE USED ON ALL STAINLESS STEEL FASTENERS TO PREVENT THREAD DAMAGE AND GALLING



PROCEDURE

1. Remove contents from box, verify if all parts listed are present and free from damage. Carefully read and understand all instructions before attempting installation.
Failure to identify damage before installation could lead to a rejection of any claim.

Note: Bull bar may interfere with function of front vehicle camera and the front parking sensors (if equipped).

2. Locate mounting location of brackets. Mounting location is where the factory tow hooks are located.
3. Remove factory tow hooks if equipped and any factory hardware. **Note:** Factory tow hooks cannot be re-used (if equipped).

CARE INSTRUCTIONS

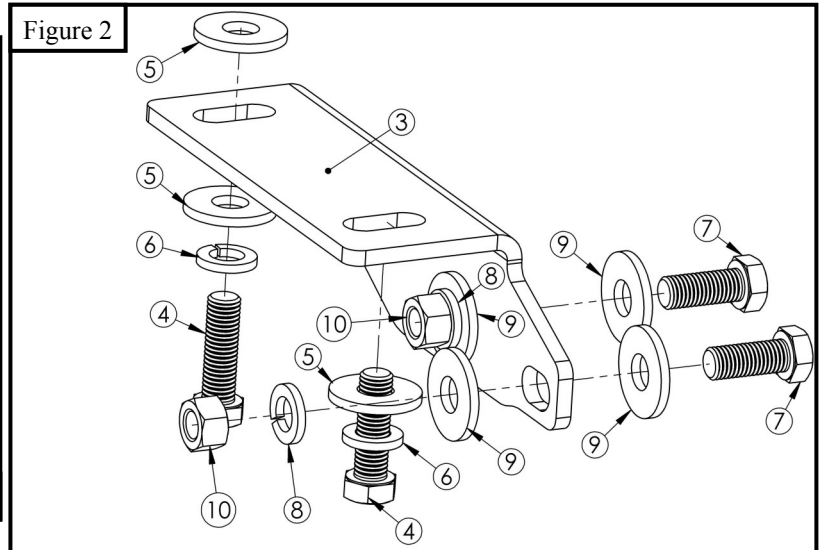
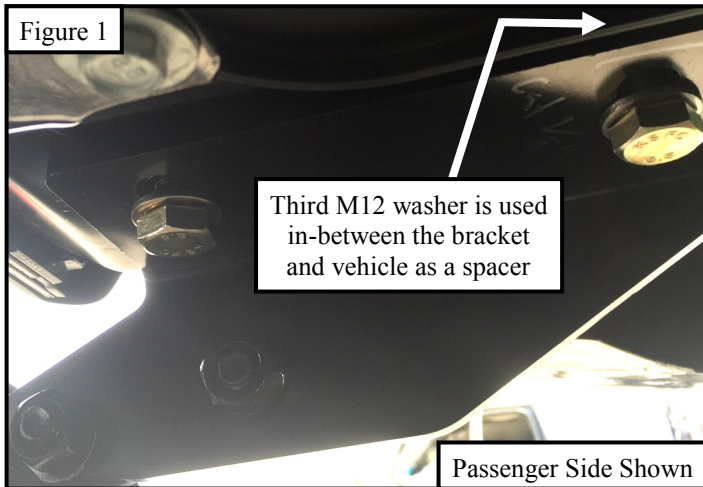
- REGULAR WAXING IS RECOMMENDED. DO NOT USE ANY TYPE OF POLISH OR WAX THAT MAY CONTAIN ABRASIVES.
- STAINLESS STEEL PRODUCTS CAN BE CLEANED WITH MILD SOAP AND WATER. STAINLESS STEEL POLISH SHOULD BE USED TO POLISH SMALL SCRATCHES.
- GLOSS BLACK FINISHES SHOULD BE CLEANED WITH MILD SOAP AND WATER.



Westin Automotive Products, Inc.
320 W. Covina Blvd
San Dimas, Ca. 91773

Thank you for choosing Westin products
for additional installation assistance please call
Customer Service (800) 793-7846
www.westinautomotive.com

4. Starting at either side, locate (1) Mount Bracket (Item 2/3) and loosely install using (2) M12 hex head cap screws, (3) M12 flat washers and (2) M12 split lock washers. **See Figure 1.** The third washer will be used as a spacer between the vehicle's frame and the bracket. Third M12 flat washer goes on the rear. **See Figure 2. Note:** Lower valance requires trimming.
5. Repeat step 4 for opposite side.
6. With assistance align the Ultimate Bull Bar onto the previously installed brackets using the provided M12 hardware (Items 7-10). **See Figure 1 and 2.**
7. Align and adjust the Ultimate Bull Bar and brackets as necessary and then tighten all M12 hardware to 65 ft-lbs.



Westin Automotive Products, Inc.
320 W. Covina Blvd
San Dimas, Ca. 91773

Thank you for choosing Westin products
for additional installation assistance please call
Customer Service (800) 793-7846

Westin

SIGNATURE OF QUALITY

AUTOMOTIVE PRODUCTS, INC.



WARNING



Failure to follow these instructions could lead to death, personal injury, and / or property damage.

FASTENERS:

All Westin supplied fasteners must be utilized and installed in accordance with the installation instructions and apply torque to the specifications as defined. **DOUBLE CHECK ALL FASTENERS BEFORE INITIAL USE, AND PERIODICALLY IN THE FUTURE TO ENSURE PROPER FUNCTION AND SAFETY.**

DRILLING:

Most Westin products do not require drilling for installation. If drilling is defined as required, use caution when drilling a vehicle. **FAILURE TO REVIEW AN AREA TO BE DRILLED MAY RESULT IN PERSONAL INJURY AND/OR INJURY TO OTHERS AS WELL AS VEHICLE DAMAGE.**

EYE PROTECTION:

ALWAYS WEAR SAFETY GLASSES OR GOGGLES DURING THE INSTALLATION PROCESS TO AVOID PERSONAL INJURY.

MAXIMUM TOWING/CARRYING CAPACITY:

The Westin Receiver Hitches will have a visible tow rating label affixed directly on the product. User should never exceed the vehicle manufacturers maximum tow and weight rating regardless of the capacity of the hitch. **FAILURE TO FOLLOW THESE GUIDELINES WILL VOID THE WESTIN WARRANTY AND MAY RESULT IN PERSONAL INJURY AND/OR INJURY TO OTHERS AS WELL AS VEHICLE DAMAGE.**

Westin
SIGNATURE OF QUALITY

Westin Automotive Products, Inc.
320 W. Covina Blvd
San Dimas, Ca. 91773