

INSTALLATION INSTRUCTIONS

OUTLAW DROP NERF STEP BARS

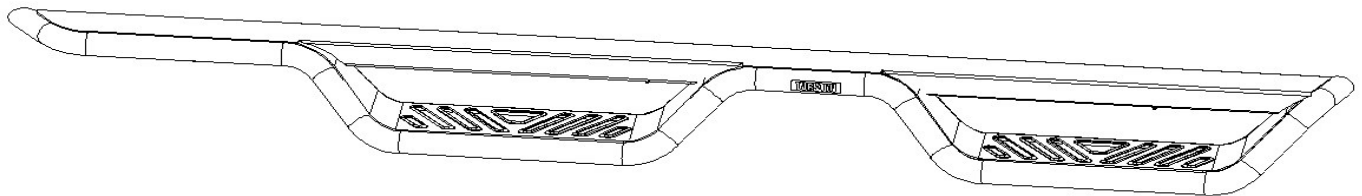


APPLICATION:
Jeep Wrangler JK Unlimited 4dr 2007-2018

PART NUMBER:
20-13295

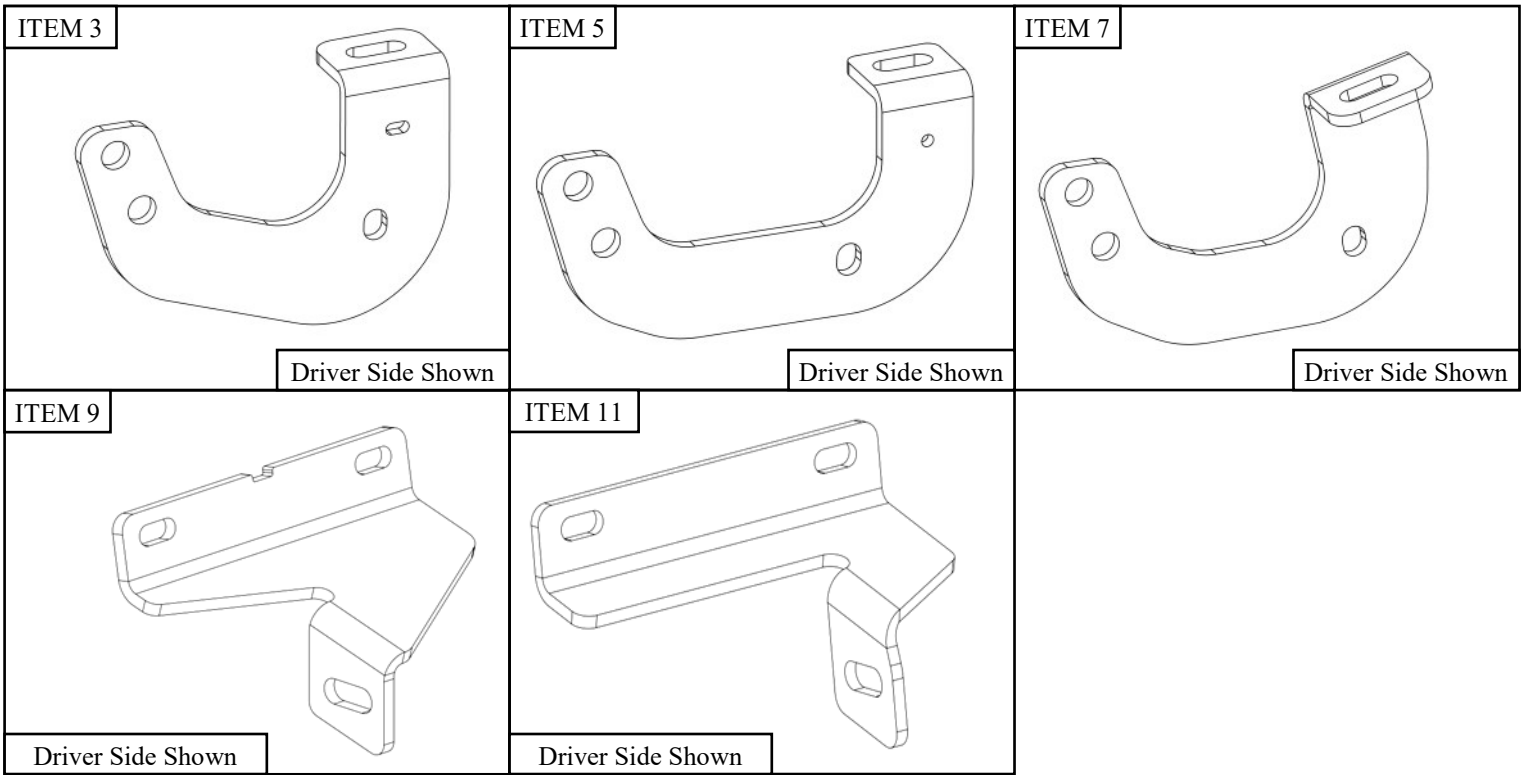
CONTENT			
ITEM	QUANTITY	DESCRIPTION	TOOLS NEEDED
1	1	DRIVER SIDE OUTLAW DROP NERF STEP	10MM SOCKET
2	1	PASSENGER SIDE OUTLAW DROP NERF STEP	13MM SOCKET
3	1	DRIVER SIDE FRONT BRACKET	13MM WRENCH
4	1	PASSENGER SIDE FRONT BRACKET	15MM SOCKET
5	1	DRIVER SIDE CENTER BRACKET	15MM WRENCH
6	1	PASSENGER SIDE CENTER BRACKET	RATCHET
7	1	DRIVER SIDE REAR BRACKET	TORQUE WRENCH
8	1	PASSENGER SIDE REAR BRACKET	
9	2	DRIVER SIDE SUPPORT BRACKET "A"	
10	2	PASSENGER SIDE SUPPORT BRACKET "A"	
11	1	DRIVER SIDE SUPPORT BRACKET "B"	
12	1	PASSENGER SIDE SUPPORT BRACKET "B"	
13	12	M10 SERRATED FLANGE HEX HEAD CAP SCREW	
14	12	M10 SERRATED FLANGE HEX NUT	
15	6	M8 EXTRUDED U NUT	
16	12	M8 HEX HEAD CAP SCREW	
17	12	M8 SPLIT LOCK WASHER	
18	6	M8 HEX NUT	
19	18	M8 FLAT WASHER	
20	12	M6 HEX NUT	
21	24	M6 FLAT WASHER	
22	12	M6 SPLIT LOCK WASHER	
23	12	M6 HEX HEAD CAP SCREW	

ANTI-SEIZE LUBRICANT MUST BE USED ON ALL STAINLESS STEEL FASTENERS TO PREVENT THREAD DAMAGE AND GALLING



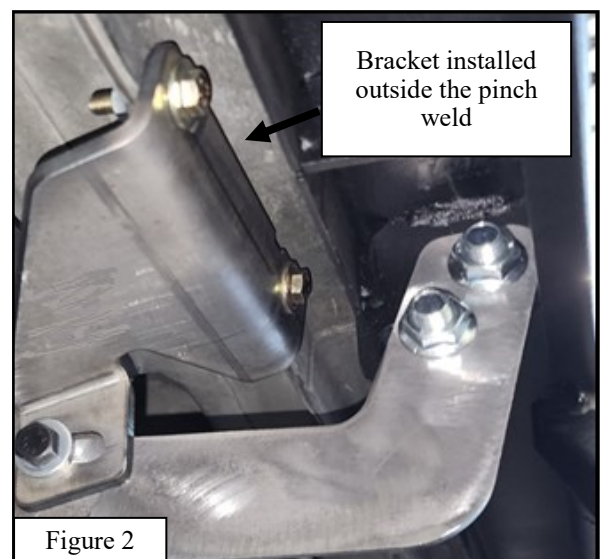
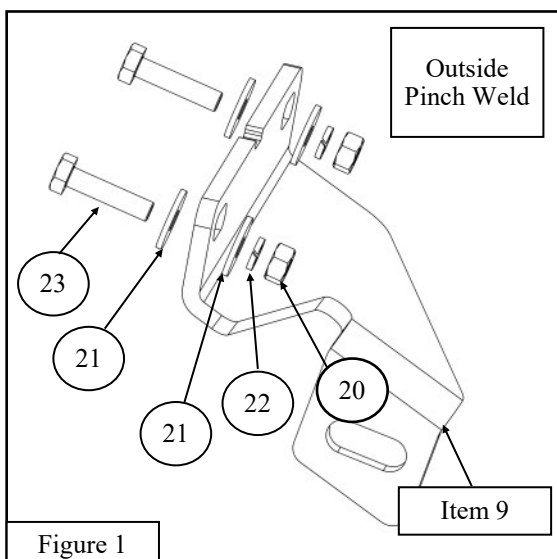
ITEM 1

Driver Side Shown

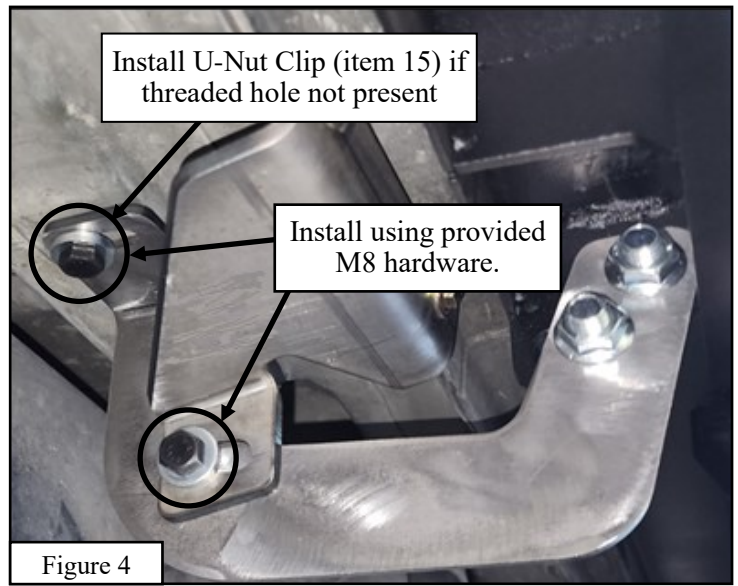
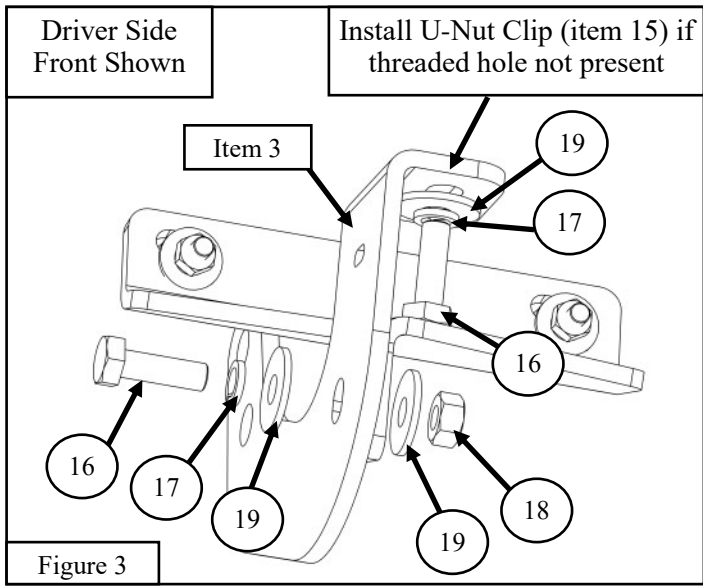


PROCEDURE

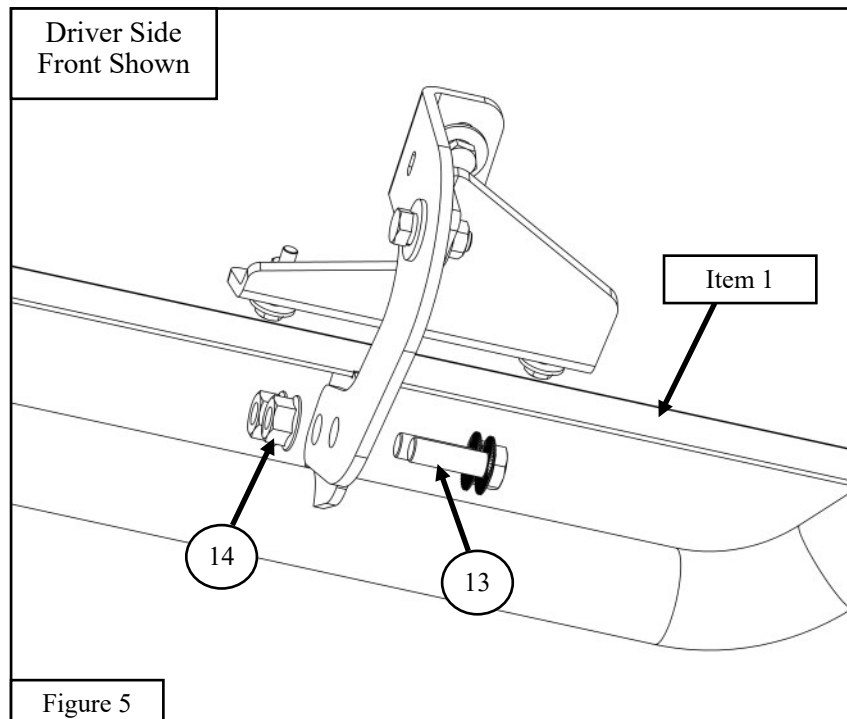
1. Remove contents from box, verify if all parts listed are present and free from damage. Carefully read and understand all instructions before attempting installation.
Failure to identify damage before installation could lead to a rejection of any claim.
2. Starting on the driver's side front mount location, loosely secure a Driver Side Support Bracket "A" (item 9) using the supplied M6 hardware (items 20-23). See **Figures 1 and 2** for reference.
3. Repeat step 2 with Driver Side Support Bracket "A" (item 9) on the center mount location, and Driver Side Support Bracket "B" (item 11) on the rear mount location. See **Figures 1 and 2** for reference.



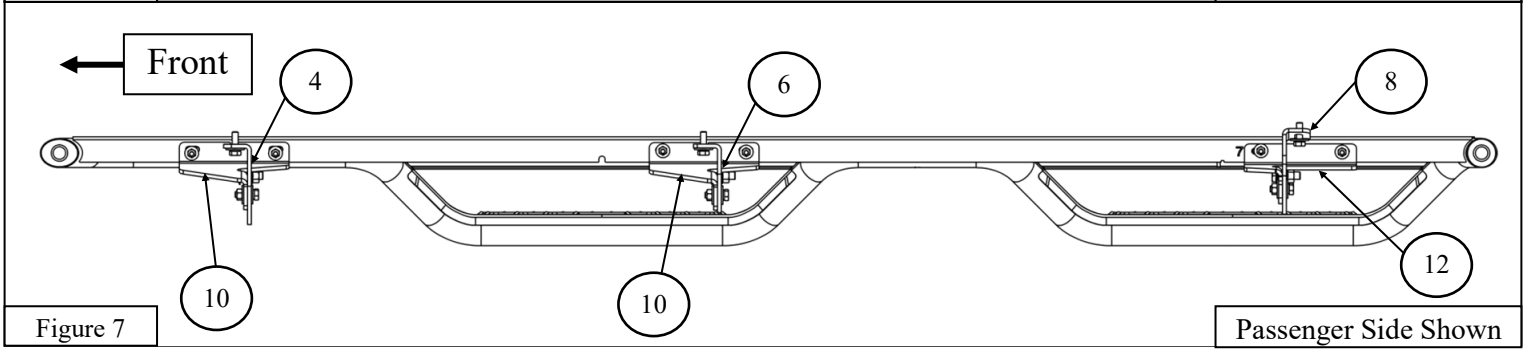
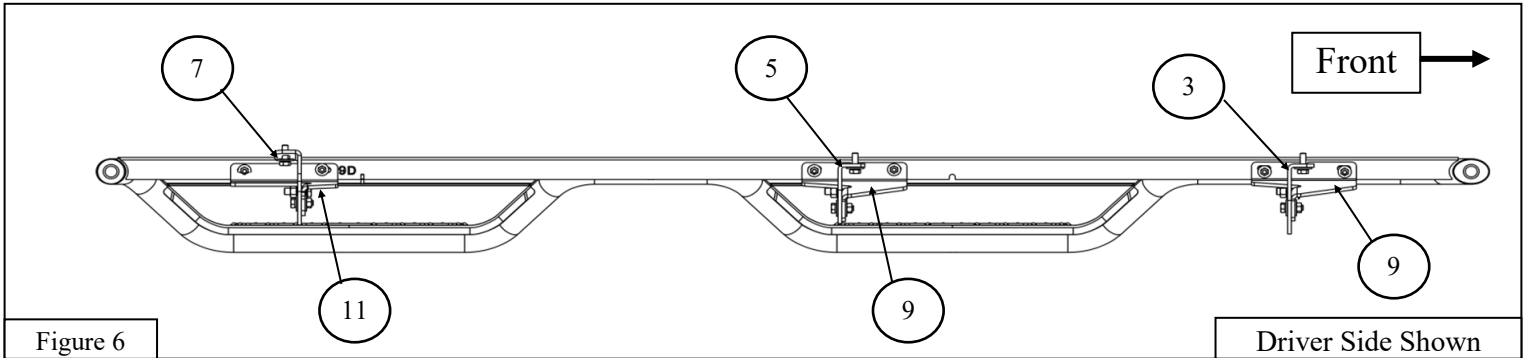
- On the driver's side of the vehicle, loosely install the Front, Center, and Rear mounting brackets (items 3, 5, 7) onto the previously installed support brackets in steps 2 and 3 using provided M8 hardware (Items 15-19). See **Figure 3 and 4** for reference.



- Loosely install the Driver Side Outlaw Drop Nerf Step (item 1) onto the previously installed mounting brackets using the provided M10 hardware (items 13 & 14). See **Figure 5** for reference.
- Repeat steps 2-5 on the passenger side.



7. Align step bar and brackets to desired positioning then torque and tighten all: M6 Hardware to 7-10 ft-lbs, M8 hardware to 15-20 ft-lbs, and M10 hardware to 30-32 ft-lbs.



INSTALLATION COMPLETE



CARE INSTRUCTIONS

- REGULAR WAXING IS RECOMMENDED. DO NOT USE ANY TYPE OF POLISH OR WAX THAT MAY CONTAIN ABRASIVES.
- STAINLESS STEEL PRODUCTS CAN BE CLEANED WITH MILD SOAP AND WATER. STAINLESS STEEL POLISH SHOULD BE USED TO POLISH SMALL SCRATCHES.
- GLOSS BLACK FINISHES SHOULD BE CLEANED WITH MILD SOAP AND WATER.

WESTIN Westin Automotive Products, Inc.
320 W. Covina Blvd
San Dimas, Ca. 91773

P.N.: 75-2013295-RevA

ECO #: W21-0086

Thank you for choosing Westin products
for additional installation assistance please call
Customer Service (800) 793-7846

www.westinautomotive.com

DATE: 3/23/2023



WARNING



Failure to follow these instructions could lead to death, personal injury, and / or property damage.

Failure to follow these instructions could lead to death, personal injury, and / or property damage.

FASTENERS:

All Westin supplied fasteners must be utilized and installed in accordance with the installation instructions and apply torque to the specifications as defined. **DOUBLE CHECK ALL FASTENERS BEFORE INITIAL USE, AND PERIODICALLY IN THE FUTURE TO ENSURE PROPER FUNCTION AND SAFETY.**

DRILLING:

Most Westin products do not require drilling for installation. If drilling is defined as required, use caution when drilling a vehicle. **FAILURE TO REVIEW AN AREA TO BE DRILLED MAY RESULT IN PERSONAL INJURY AND/OR INJURY TO OTHERS AS WELL AS VEHICLE DAMAGE.**

EYE PROTECTION:

ALWAYS WEAR SAFETY GLASSES OR GOGGLES DURING THE INSTALLATION PROCESS TO AVOID PERSONAL INJURY.

MAXIMUM TOWING/CARRYING CAPACITY: (if applicable)

The Westin Receiver Hitches will have a visible tow rating label affixed directly on the product. User should never exceed the vehicle manufacturers maximum tow and weight rating regardless of the capacity of the hitch. **FAILURE TO FOLLOW THESE GUIDELINES WILL VOID THE WESTIN WARRANTY AND MAY RESULT IN PERSONAL INJURY AND/OR INJURY TO OTHERS AS WELL AS VEHICLE DAMAGE.**

FOR CALIFORNIA RESIDENTS ONLY-PROP 65 WARNING:

Some products may contain chemicals such as DEHP, which can cause cancer, birth defects or other reproductive harm. For more info go to www.p65warnings.ca.gov



Westin Automotive Products, Inc.
320 W. Covina Blvd
San Dimas, Ca. 91773