



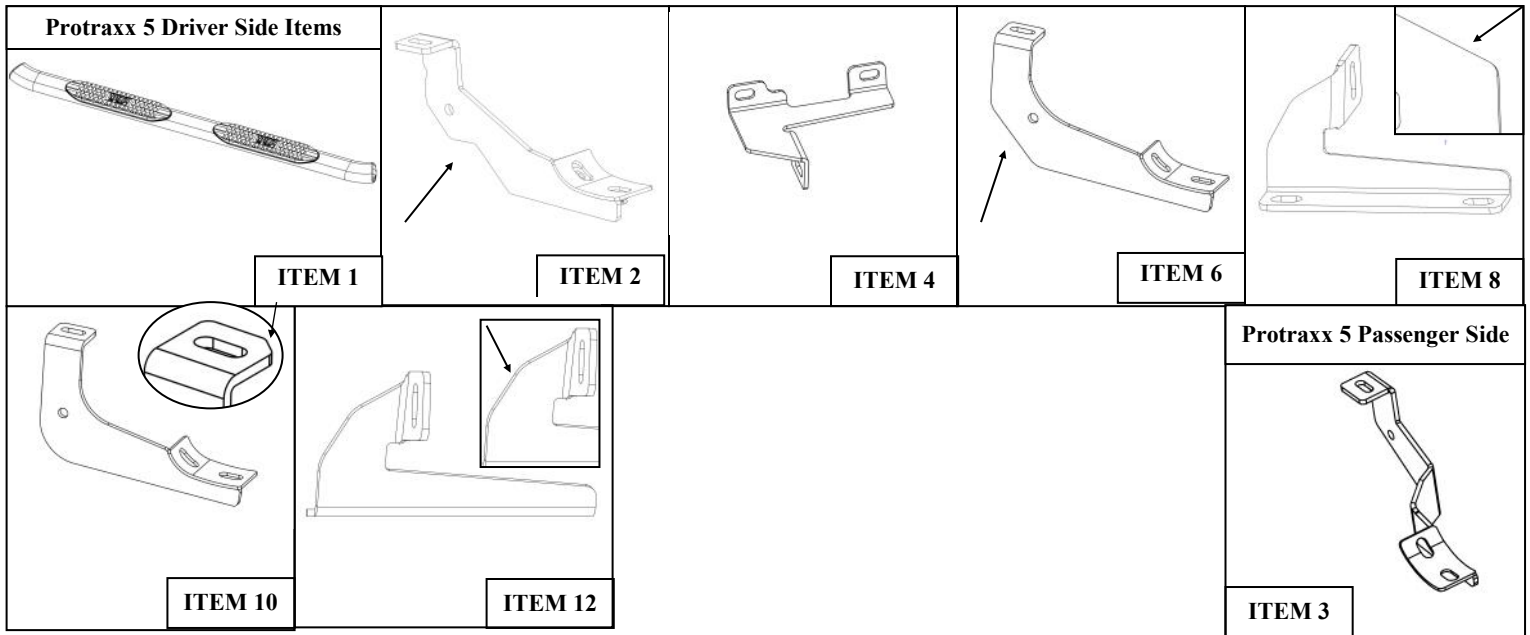
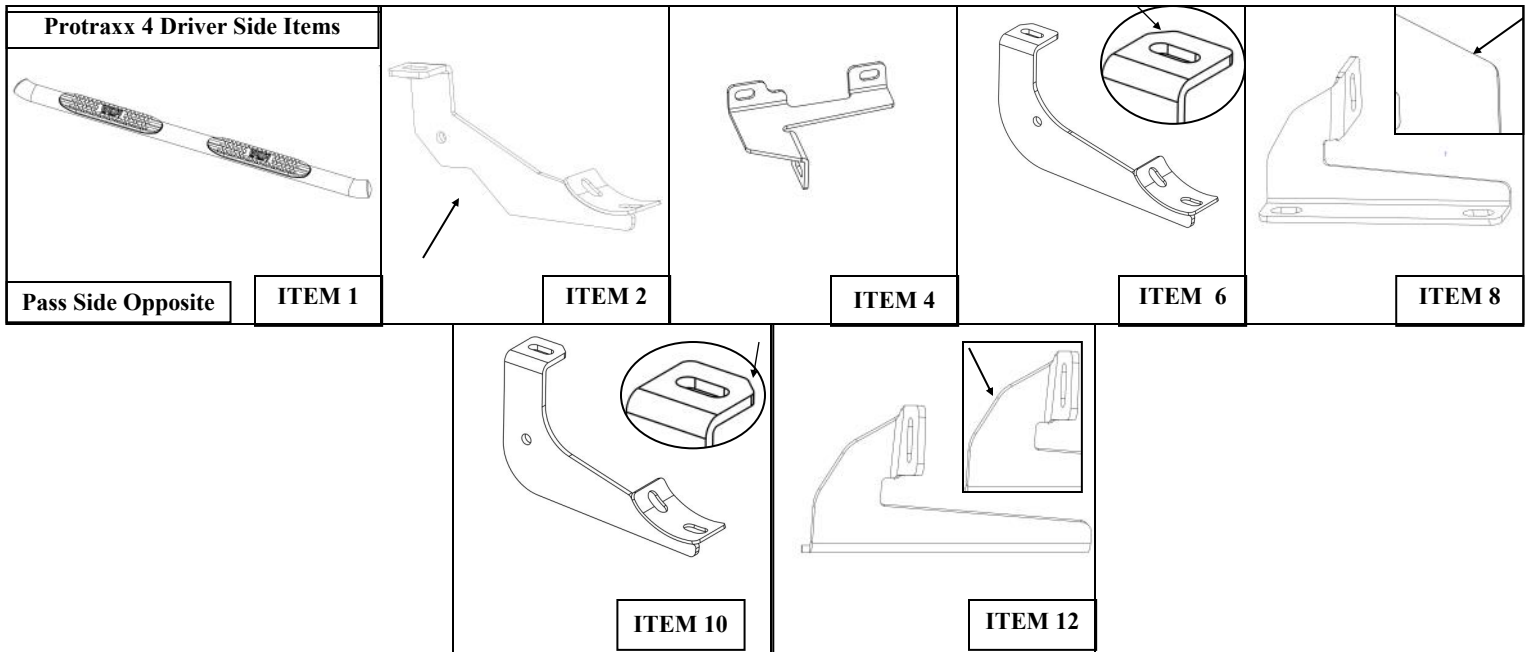
# INSTALLATION INSTRUCTIONS

## PROTRAXX 4 & 5 OVAL STEP BAR

**APPLICATION:**  
2020-2024 Jeep Gladiator  
**PART NUMBER:**  
21-24165, 21-24160, 21-54165, 21-54160

CONTENT			
ITEM	QUANTITY	DESCRIPTION	TOOLS NEEDED
1	2	STEP BAR ASSEMBLY, DRIVER AND PASSENGER	RATCHET
2	1	DRIVER FRONT MOUNTING BRACKET	TORQUE WRENCH
3	1	PASSENGER FRONT MOUNTING BRACKET	10MM SOCKET
4	2	FRONT SUPPORT BRACKET	13MM SOCKET
5	1	DRIVER CENTER MOUNTING BRACKET	13MM WRENCH
6	1	PASSENGER CENTER MOUNTING BRACKET	ALLEN WRENCH
7	1	DRIVER CENTER SUPPORT BRACKET	SOCKET EXT.
8	1	PASSENGER CENTER SUPPORT BRACKET	
9	1	DRIVER REAR MOUNTING BRACKET	
10	1	PASSENGER REAR MOUNTING BRACKET	
11	1	DRIVER REAR SUPPORT BRACKET	
12	1	PASSENGER REAR SUPPORT BRACKET	
13	6	M8 EXTRUDED U NUT	
14	12	M8 HEX HEAD BOLT (YELLOW ZINC)	
15	24	M8 SPLIT LOCK WASHER (YELLOW ZINC)	
16	18	M8 HEX NUT (YELLOW ZINC)	
17	30	M8 FLAT WASHER (YELLOW ZINC)	
18	12	M8 FLAT WASHER (BLACK ZINC)	
19	12	M8 BUTTON HEAD BOLT (BLACK ZINC)	
20	12	M10 BUTTON HEAD BOLT (BLACK ZINC)	
21	12	M10 FLAT WASHER (BLACK ZINC)	
22	12	M10 INTERNAL TOOTHED LOCK WASHER (BLACK ZINC)	

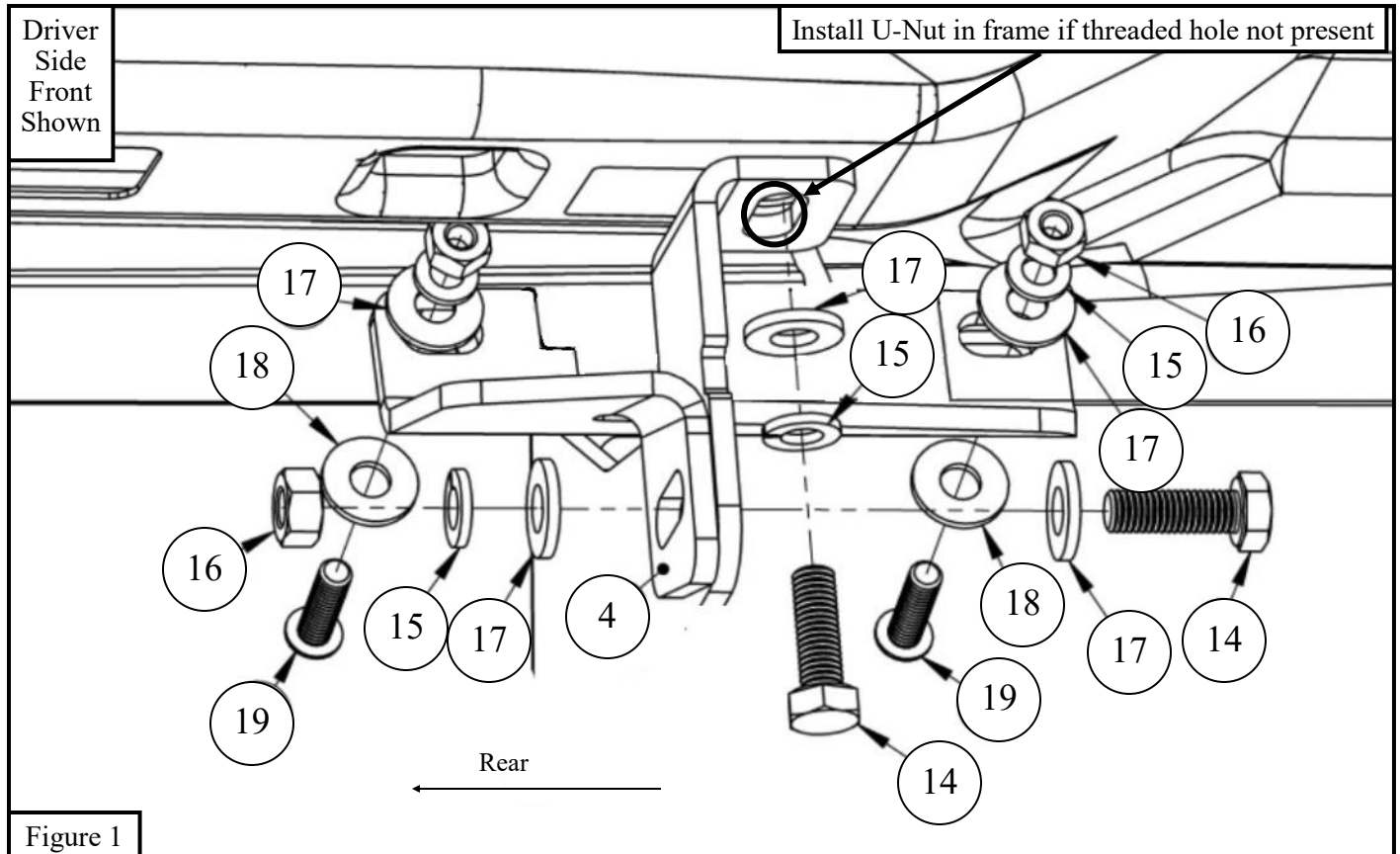
**ANTI-SEIZE LUBRICANT MUST BE USED ON ALL STAINLESS STEEL FASTENERS TO PREVENT THREAD DAMAGE AND GALLING**

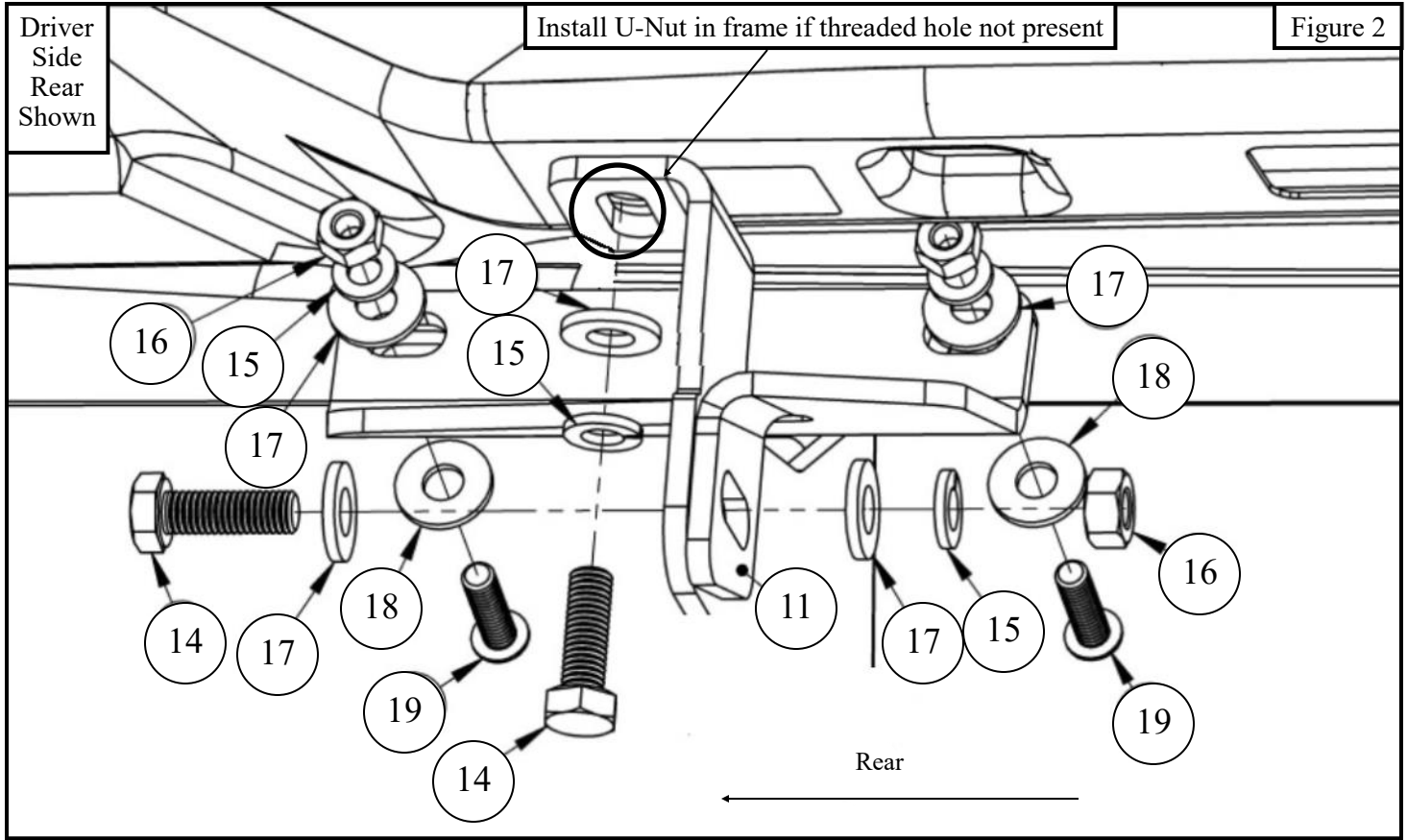


### PROCEDURE

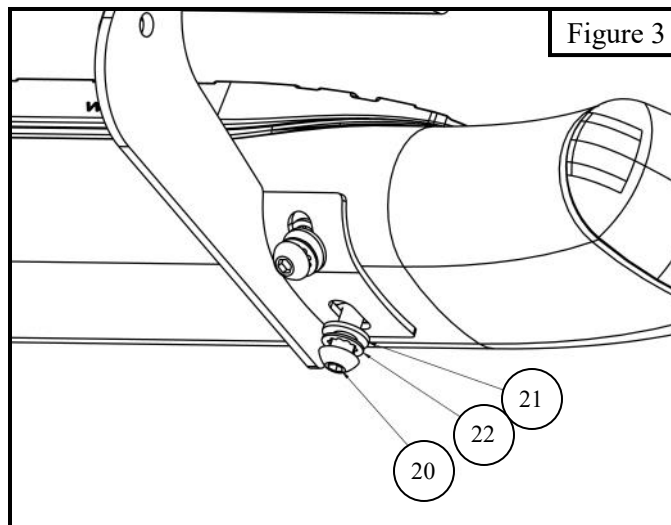
1. Remove contents from box, verify if all parts listed are present and free from damage.  
Carefully read and understand all instructions before attempting installation.  
**Failure to identify damage before installation could lead to a rejection of any claim.**

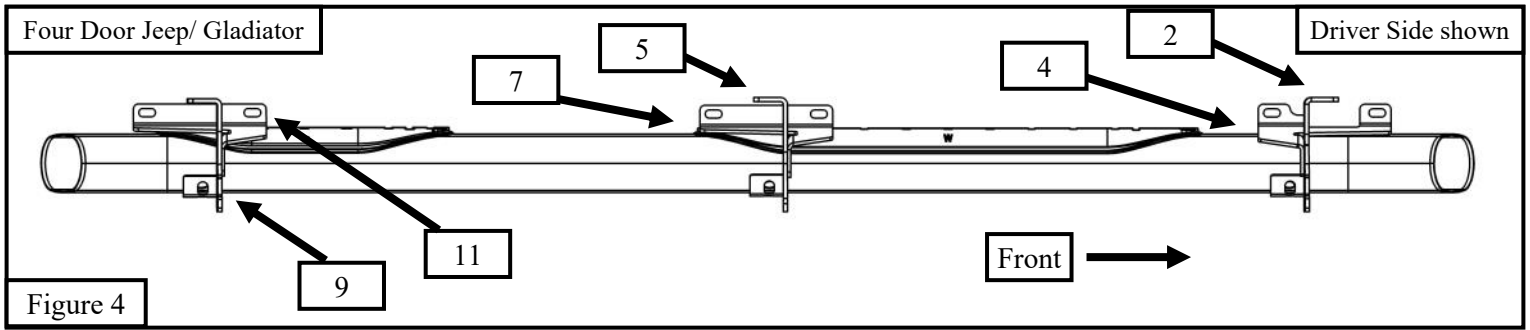
2. Starting at the front mount location, locate (1) Front Mount Bracket and (1) Front Support Bracket. Loosely secure brackets, using: (4) M8 hex head cap screw, (1) M8 extruded u-nut, (4) M8 split lock washer, (3) M8 hex nut, (5) M8 flat washer, **See Figure 1.** **Note:** M8 extruded u-nut is only used if a threaded hole is not present (circled on **Figure 1**).
3. For the rear mounting location, locate (1) Rear Mount Bracket and (1) Rear Support Bracket. Loosely secure brackets, using: (4) M8 hex head cap screw, (1) M8 extruded u-nut, (4) M8 split lock washer, (3) M8 hex nut, (5) M8 flat washer. **Note:** M8 extruded u-nut is only used if a threaded hole is not present. **See Figure 2.**





4. Mount the center brackets in the same orientation as the rear brackets.
5. Repeat **Steps 2-4** on the passenger side.
6. Locate (1) Step Bar Assembly and loosely secure it onto the previously installed brackets using the provided M10 hardware. **See Figure 3.** Install opposite side after.
7. See **Figure 4** for visual bracket orientation.





8. Align step bar and brackets to desired positioning then torque and tighten all: M8 hardware to 16 ft-lbs and M10 to 32 ft-lbs.



**Care Instructions**

- REGULAR WAXING IS RECOMMENDED. DO NOT USE ANY TYPE OF POLISH OR WAX THAT MAY CONTAIN ABRASIVES.
- STAINLESS STEEL PRODUCTS CAN BE CLEANED WITH MILD SOAP AND WATER. STAINLESS STEEL POLISH SHOULD BE USED TO POLISH SMALL SCRATCHES.
- GLOSS BLACK FINISHES SHOULD BE CLEANED WITH MILD SOAP AND WATER.

**WESTIN** Westin Automotive Products, Inc.  
320 W. Covina Blvd  
San Dimas, Ca. 91773

Thank you for choosing Westin products  
for additional installation assistance please call  
Customer Service (800) 793-7846  
www.westinautomotive.com



## WARNING



Failure to follow these instructions could lead to death, personal injury, and / or property damage.

Failure to follow these instructions could lead to death, personal injury, and / or property damage.

### FASTENERS:

All Westin supplied fasteners must be utilized and installed in accordance with the installation instructions and apply torque to the specifications as defined. **DOUBLE CHECK ALL FASTENERS BEFORE INITIAL USE, AND PERIODICALLY IN THE FUTURE TO ENSURE PROPER FUNCTION AND SAFETY.**

### DRILLING:

Most Westin products do not require drilling for installation. If drilling is defined as required, use caution when drilling a vehicle. **FAILURE TO REVIEW AN AREA TO BE DRILLED MAY RESULT IN PERSONAL INJURY AND/OR INJURY TO OTHERS AS WELL AS VEHICLE DAMAGE.**

### EYE PROTECTION:

**ALWAYS WEAR SAFETY GLASSES OR GOGGLES DURING THE INSTALLATION PROCESS TO AVOID PERSONAL INJURY.**

### MAXIMUM TOWING/CARRYING CAPACITY: (if applicable)

The Westin Receiver Hitches will have a visible tow rating label affixed directly on the product. User should never exceed the vehicle manufacturers maximum tow and weight rating regardless of the capacity of the hitch. **FAILURE TO FOLLOW THESE GUIDELINES WILL VOID THE WESTIN WARRANTY AND MAY RESULT IN PERSONAL INJURY AND/OR INJURY TO OTHERS AS WELL AS VEHICLE DAMAGE.**

### FOR CALIFORNIA RESIDENTS ONLY-PROP 65 WARNING:

Some products may contain chemicals such as DEHP, which can cause cancer, birth defects or other reproductive harm. For more info go to [www.p65warnings.ca.gov](http://www.p65warnings.ca.gov)



Westin Automotive Products, Inc.  
320 W. Covina Blvd  
San Dimas, Ca. 91773