

INSTALLATION INSTRUCTIONS

PRO TRAXX 4 NERF STEP BARS



APPLICATION:

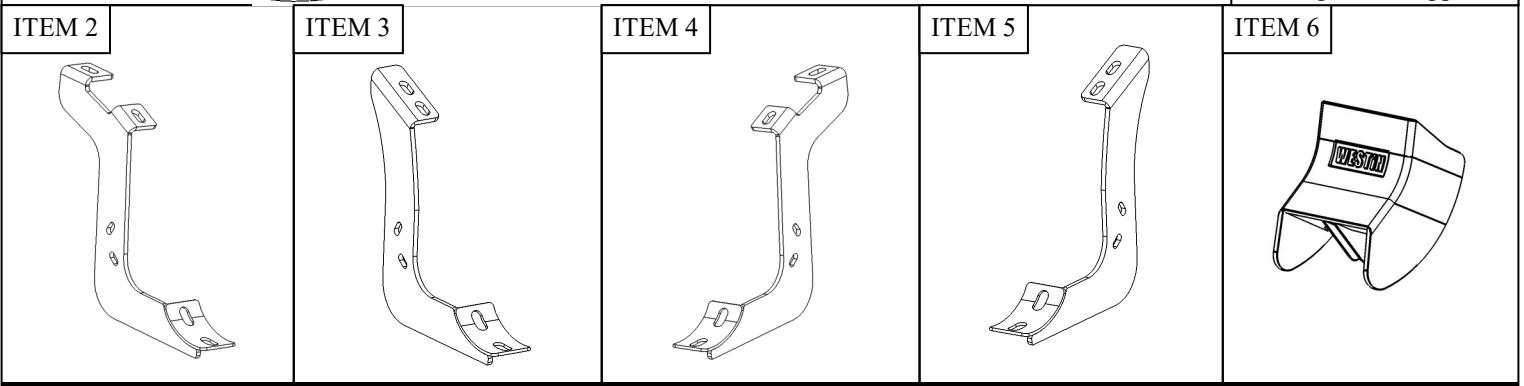
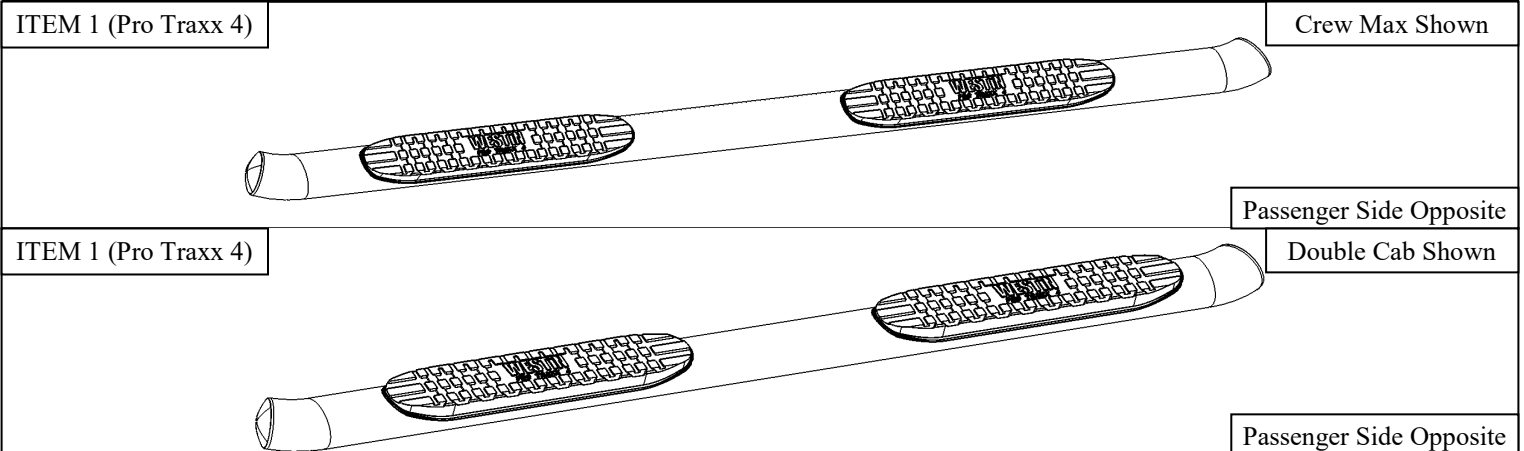
2022 Toyota Tundra Crew Max, Double Cab

PART NUMBER:

21-24230, 21-24235, 21-24220, 21-24225

ITEM	QUANTITY	DESCRIPTION	TOOLS NEEDED
1	2	PRO TRAXX STEP BAR ASSEMBLY (1 DRIVER, 1 PASSENGER)	10MM SOCKET
2	1	DRIVER FRONT MOUNTING BRACKET	10MM WRENCH
3	2	DRIVER CENTER/REAR MOUNTING BRACKETS	12MM SOCKET
4	1	PASSENGER FRONT MOUNTING BRACKET	12MM WRENCH
5	2	PASSENGER CENTER/REAR MOUNTING BRACKETS	13MM SOCKET
6	6	BRACKET COVER	13MM WRENCH
7	12	M6 HEX HEAD BOLT	RATCHET
8	24	M6 FLAT WASHER	TORQUE WRENCH
9	12	M6 NYLON NUT	ALLEN WRENCH
10	12	M8 HEX HEAD BOLT	
11	12	M8 SPLIT LOCK WASHER	
12	12	M8 FLAT WASHER	
13	12	M10 BUTTON HEAD HEX SOCKET BOLT	
14	12	M10 TOOTHED LOCK WASHER	
15	12	M10 FLAT WASHER	

ANTI-SEIZE LUBRICANT MUST BE USED ON ALL STAINLESS STEEL FASTENERS TO PREVENT THREAD DAMAGE AND GALLING

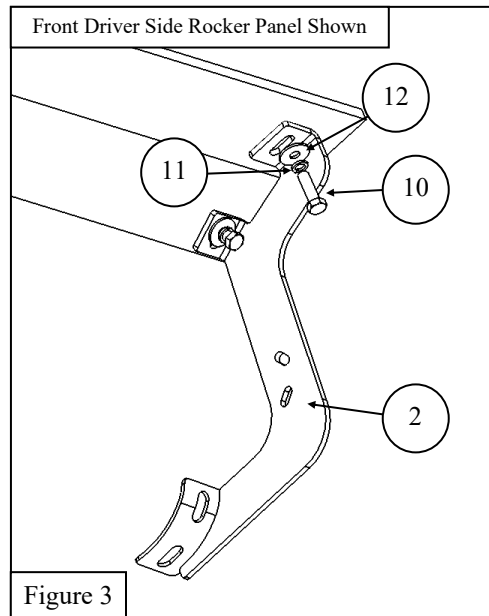
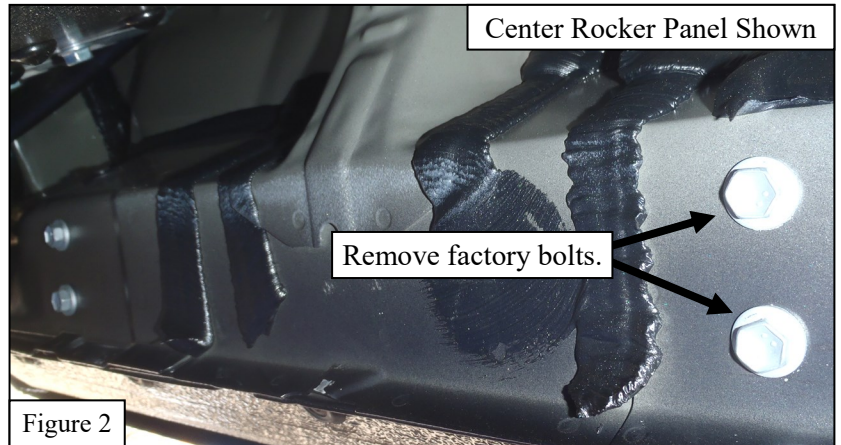
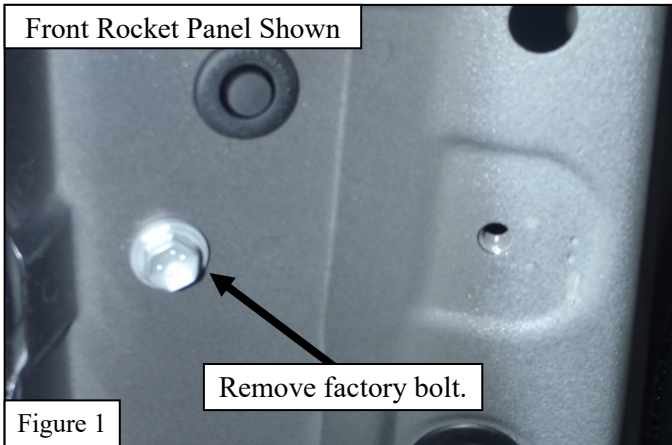


WESTIN Westin Automotive Products, Inc.
320 W. Covina Blvd
San Dimas, Ca. 91773

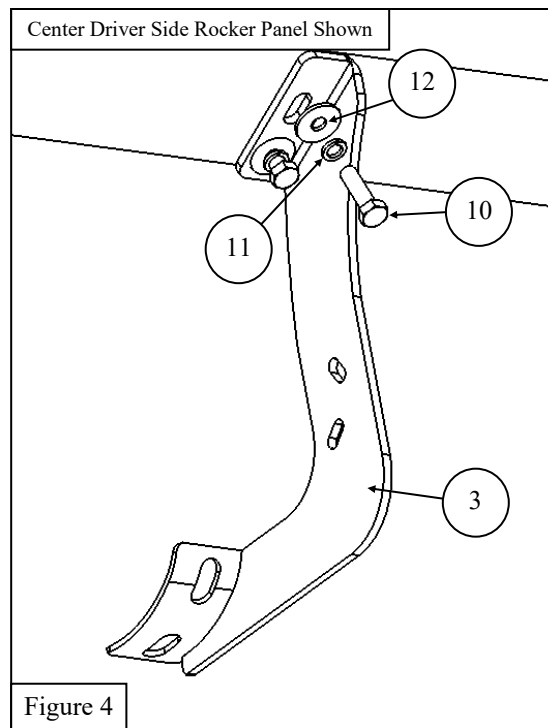
Thank you for choosing Westin products
for additional installation assistance please call
Customer Service (800) 793-7846
www.westinautomotive.com

PROCEDURE

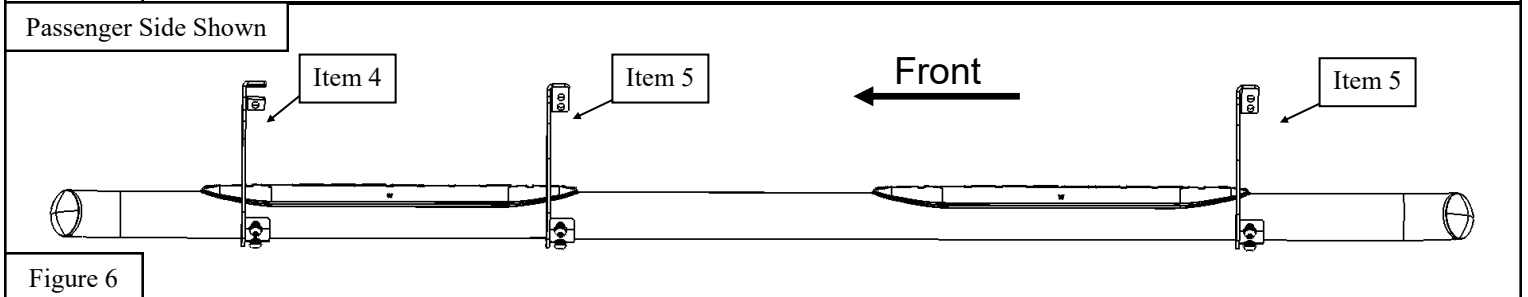
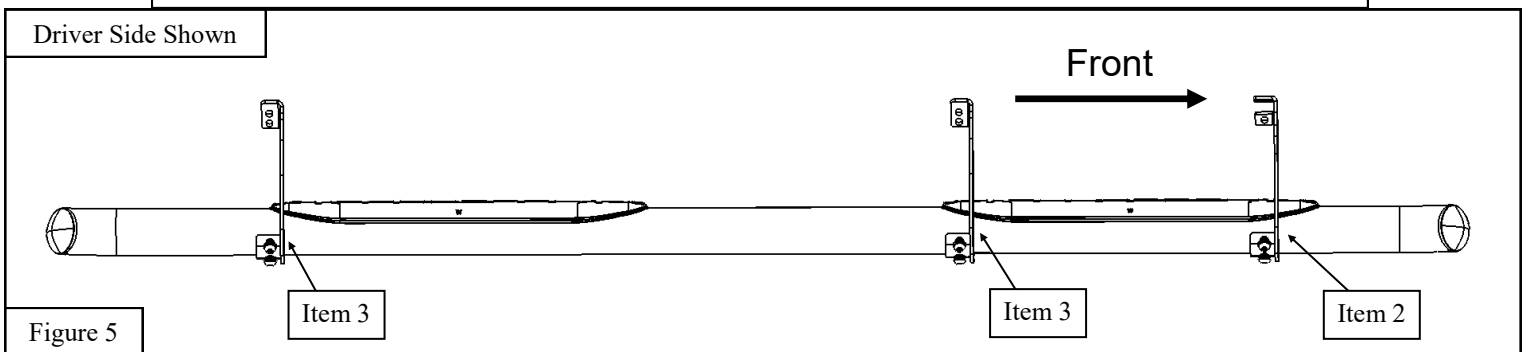
1. Remove contents from box, verify if all parts listed are present and free from damage.
Carefully read and understand all instructions before attempting installation.
Failure to identify damage before installation could lead to a rejection of any claim.
2. Starting on the driver side of the vehicle, locate the mounting locations with factory bolts preinstalled in them. Remove the factory bolts from the threaded holes. See **Figures 1 & 2** for reference. **Note:** *The factory bolts will not be reused.*
3. Locate (1) Driver Front Mounting Bracket (Item 2) and loosely install it to the driver front mounting location on the rocker panel using the supplied M8 hardware (Items 10-12). See **Figure 3** for reference.



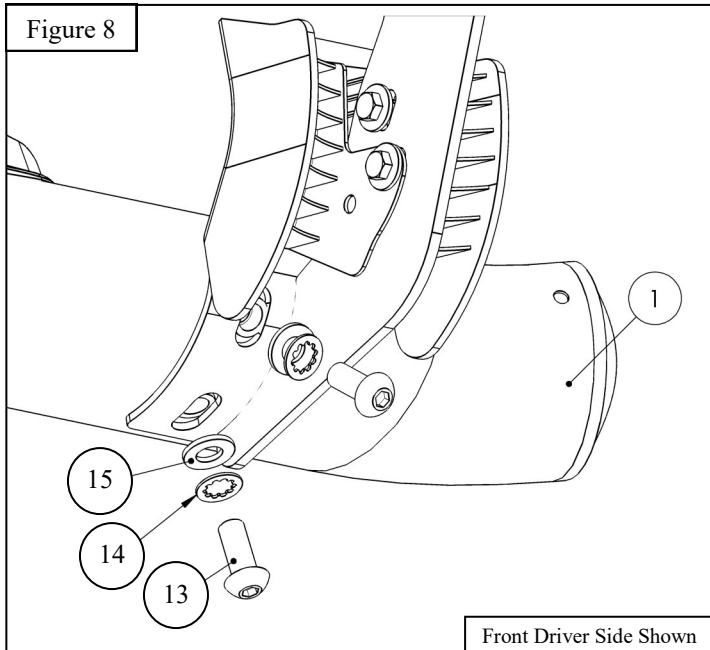
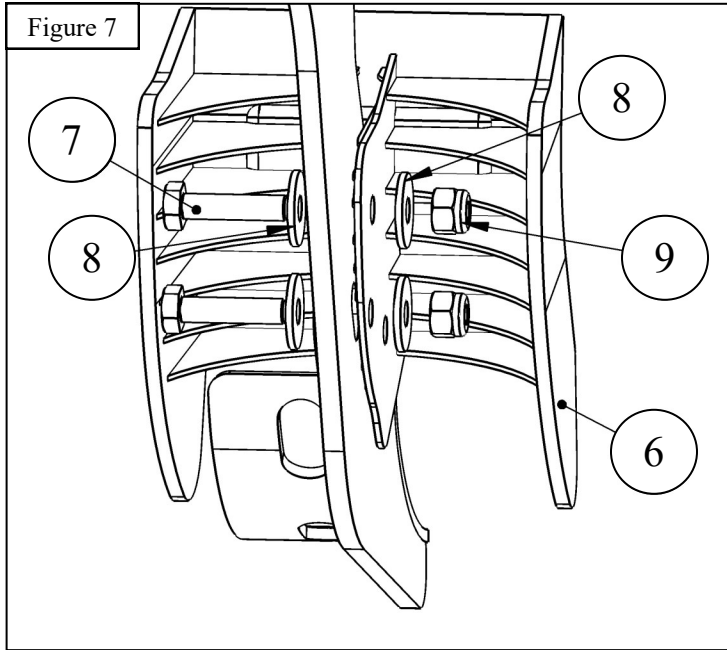
4. Locate (2) Driver Center and Rear Mounting Brackets (Item 3) and loosely secure the brackets onto the driver center and rear rocker panel mounting locations with the supplied M8 hardware (Items 10-12). See **Figure 4** for reference.
5. Repeat **Steps 3 & 4** for the passenger's side mounting locations with the Passenger Side Mounting Brackets (Items 4-5).
Note: *See Figures 5 & 6 for the correct bracket orientation.*



Note: Crew Max Pro-Traxx Step Bar is Shown in **Figures 5 & 6**, Double Cab Bracket Orientation is Similar.



6. Use the supplied M6 Hardware (Items 7-9) to attach the Bracket Covers (Item 6) to the corresponding Mounting Brackets. See **Figure 7** for reference.
7. Use the supplied M10 Hardware (Items 13-15) to loosely secure the Pro Traxx 4 Step Bars (Item 1) to the corresponding Mounting Brackets. See **Figure 8** for reference.
8. Align and adjust the Pro Traxx 4 Step Bars and Mounting Brackets as necessary. Tighten and torque all hardware as specified: M6 to 7 ft-lbs, M8 to 17 ft-lbs, M10 to 38 ft-lbs.



Front Driver Side Shown

INSTALLATION COMPLETE



CARE INSTRUCTIONS

- REGULAR WAXING IS RECOMMENDED. DO NOT USE ANY TYPE OF POLISH OR WAX THAT MAY CONTAIN ABRASIVES.
- STAINLESS STEEL PRODUCTS CAN BE CLEANED WITH MILD SOAP AND WATER. STAINLESS STEEL POLISH SHOULD BE USED TO POLISH SMALL SCRATCHES.
- GLOSS BLACK FINISHES SHOULD BE CLEANED WITH MILD SOAP AND WATER.

WESTIN Westin Automotive Products, Inc.
320 W. Covina Blvd
San Dimas, Ca. 91773

Thank you for choosing Westin products
for additional installation assistance please call
Customer Service (800) 793-7846

www.westinautomotive.com

DATE: 04/12/2022



WARNING



Failure to follow these instructions could lead to death, personal injury, and / or property damage.

Failure to follow these instructions could lead to death, personal injury, and / or property damage.

FASTENERS:

All Westin supplied fasteners must be utilized and installed in accordance with the installation instructions and apply torque to the specifications as defined. **DOUBLE CHECK ALL FASTENERS BEFORE INITIAL USE, AND PERIODICALLY IN THE FUTURE TO ENSURE PROPER FUNCTION AND SAFETY.**

DRILLING:

Most Westin products do not require drilling for installation. If drilling is defined as required, use caution when drilling a vehicle. **FAILURE TO REVIEW AN AREA TO BE DRILLED MAY RESULT IN PERSONAL INJURY AND/OR INJURY TO OTHERS AS WELL AS VEHICLE DAMAGE.**

EYE PROTECTION:

ALWAYS WEAR SAFETY GLASSES OR GOGGLES DURING THE INSTALLATION PROCESS TO AVOID PERSONAL INJURY.

MAXIMUM TOWING/CARRYING CAPACITY: (if applicable)

The Westin Receiver Hitches will have a visible tow rating label affixed directly on the product. User should never exceed the vehicle manufacturers maximum tow and weight rating regardless of the capacity of the hitch. **FAILURE TO FOLLOW THESE GUIDELINES WILL VOID THE WESTIN WARRANTY AND MAY RESULT IN PERSONAL INJURY AND/OR INJURY TO OTHERS AS WELL AS VEHICLE DAMAGE.**

FOR CALIFORNIA RESIDENTS ONLY-PROP 65 WARNING:

Some products may contain chemicals such as DEHP, which can cause cancer, birth defects or other reproductive harm. For more info go to www.p65warnings.ca.gov



Westin Automotive Products, Inc.
320 W. Covina Blvd
San Dimas, Ca. 91773