

INSTALLATION INSTRUCTIONS

PRO TRAXX 6 OVAL STEP BAR



APPLICATION:

2019 Ram 1500 Crew Cab/Quad Cab (Excl. 2019 Ram 1500 Classic)

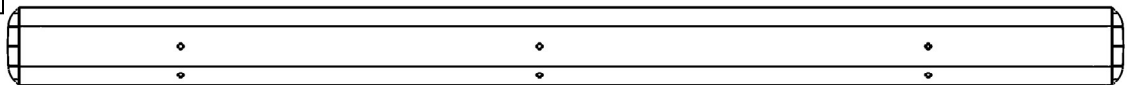
PART NUMBER:

21-64080, 21-64085, 21-64090, 21-64095

CONTENT			
ITEM	QUANTITY	DESCRIPTION	TOOLS NEEDED
1,2	2	STEP BAR ASSEMBLY (1 DRIVER, 1 PASSENGER)	10MM SOCKET
3	3	MOUNTING BRACKET A	10MM WRENCH
4	1	MOUNTING BRACKET B	13MM SOCKET
5	6	UNIVERSAL MOUNTING BRACKET	RATCHET
6,7	2	CENTER MOUNTING BRACKET (DRIVER (6) PASSENGER (7))	TORQUE WRENCH
8	6	PLASTIC COVER BRACKET	
9	6	M8 ROUND HEAD SQUARE NECK BOLT (BLACK ZINC)	
10	24	M8 SPLIT LOCK WASHER (YELLOW ZINC)	
11	24	M8 HEX NUT (YELLOW ZINC)	
12	24	M8 FLAT WASHER (YELLOW ZINC)	
13	12	M6 HEX HEAD CAP SCREW (YELLOW ZINC)	
14	24	M6 FLAT WASHER (YELLOW ZINC)	
15	12	M6 NYLOCK NUT (YELLOW ZINC)	
16	12	M8 BUTTON HEAD BOLT (BLACK ZINC)	
17	12	M8 FLAT WASHER (BLACK ZINC)	
18	12	M8 TOOTH LOCK WASHER (BLACK ZINC)	

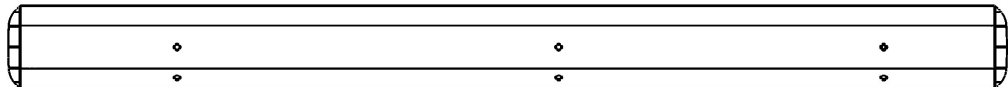
ANTI-SEIZE LUBRICANT MUST BE USED ON ALL STAINLESS STEEL FASTENERS TO PREVENT THREAD DAMAGE AND GALLING

Note Mount Hole Location

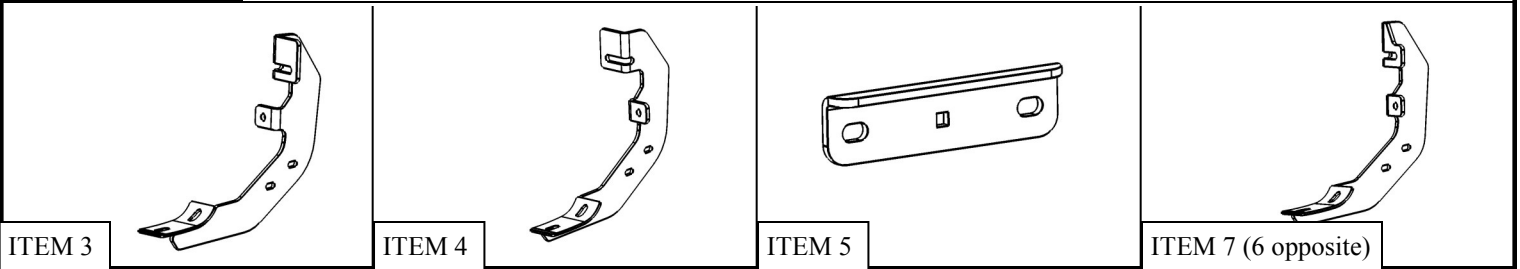


ITEM 1 (Crew Cab)

Note Mount Hole Location



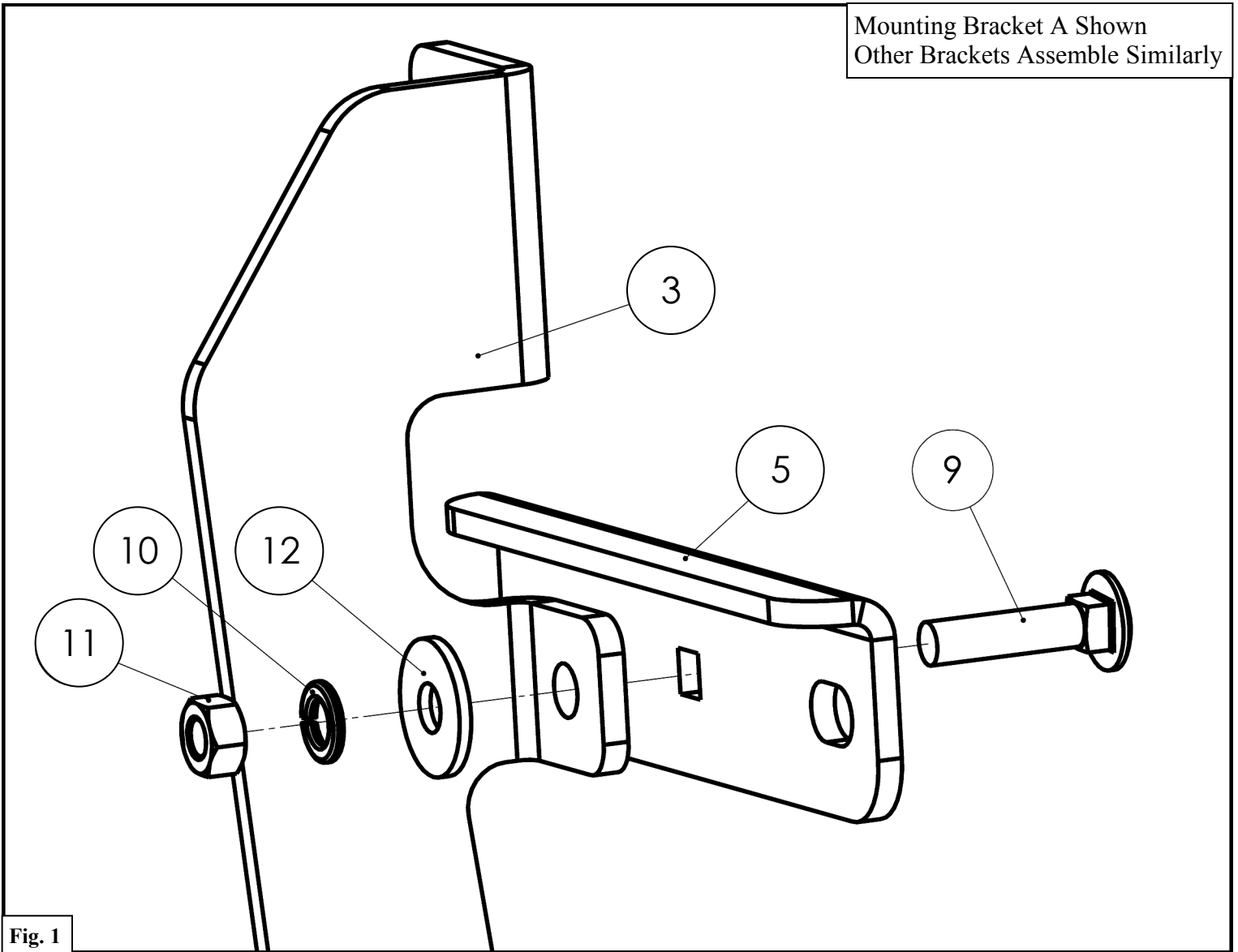
ITEM 1 (Quad Cab)



PROCEDURE

1. Remove contents from box, verify if all parts listed are present and free from damage.
Carefully read and understand all instructions before attempting installation.
Failure to identify damage before installation could lead to a rejection of any claim.

2. Preassemble the Mounting Brackets (3-7). Do not tighten hardware at this time. See **Figure 1**.



- Starting on the passenger side of the vehicle, locate the 3 mounting locations on the rocker panel.

Note A: The rear mounting location is shown in **Figure 2**.

Other mounting locations are similar.

Note B: The lower two studs on the rocker panel have a thick coat of paint on them. When installing the M8 hex nuts, apply extra pressure to start. If necessary, back M8 hex nuts off the studs to clear build up.

See **Figure 2**.

Rear Mounting Location Shown
Other Mounting Locations are Similar

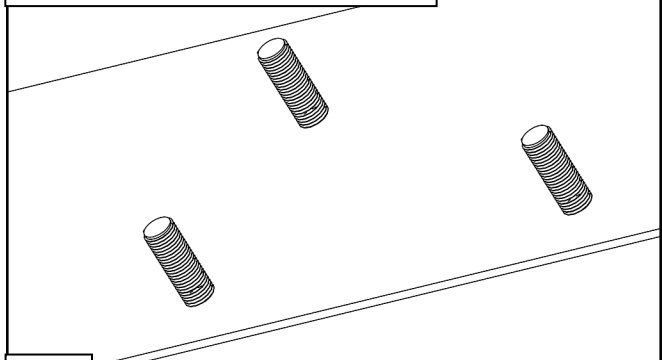


Fig. 2

- At the rear mounting location, loosely install Mounting Bracket A (3) with preassembled Universal Mounting Bracket (5) using the supplied M8 hardware. See **Figure 3**.

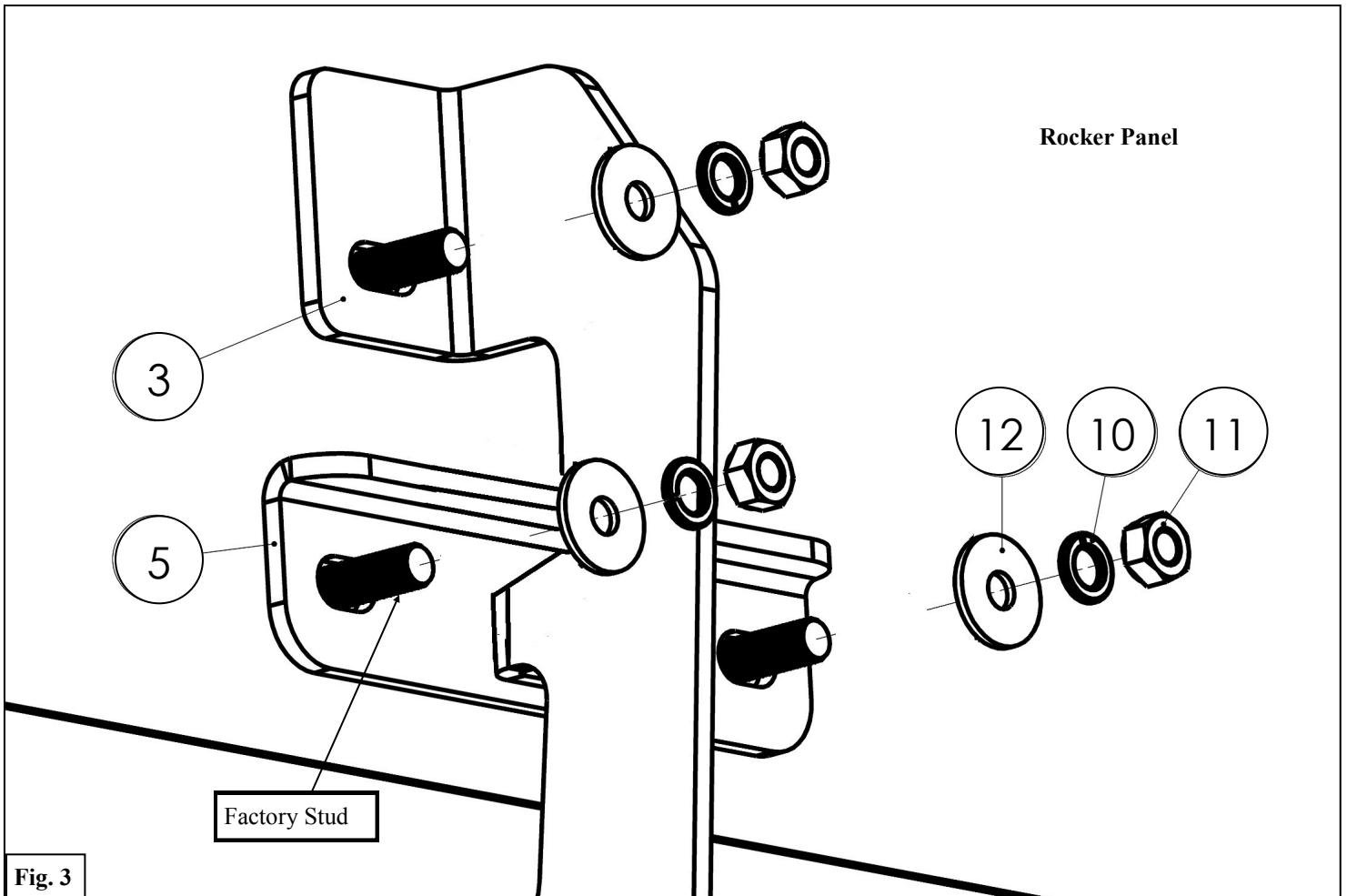
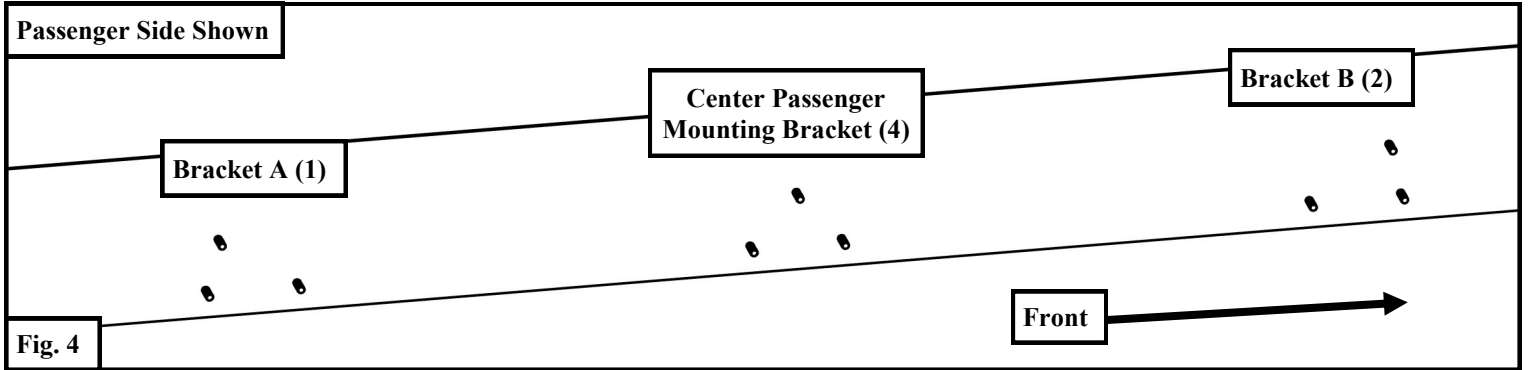
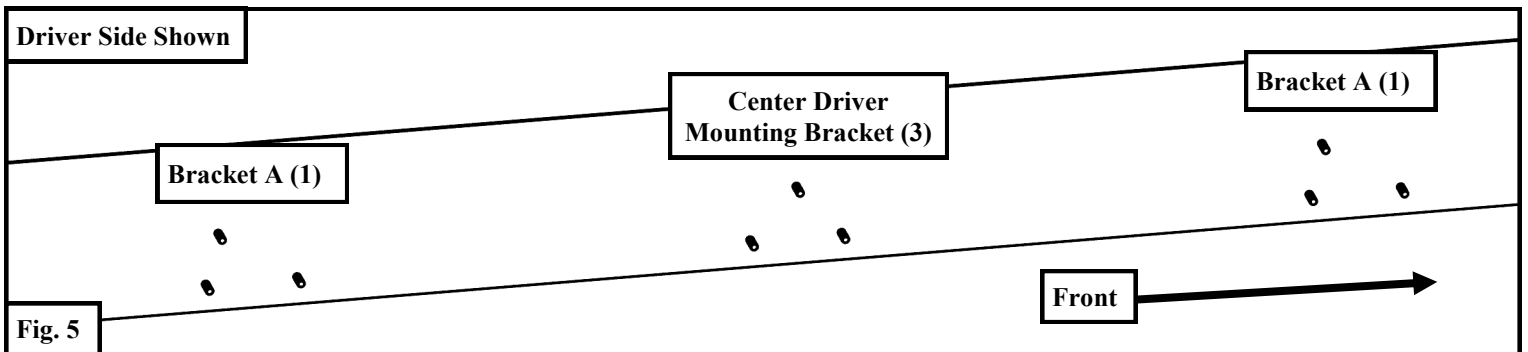


Fig. 3

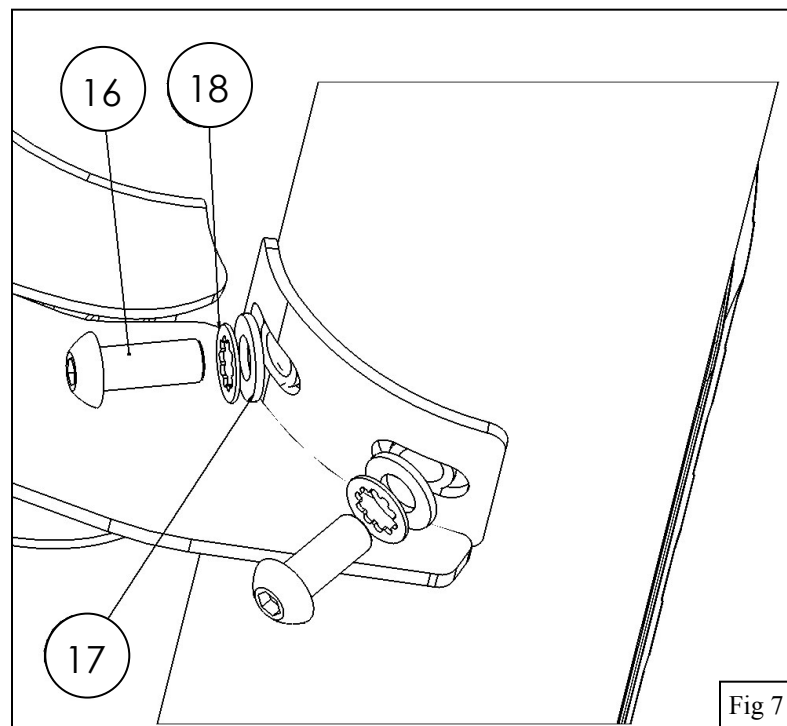
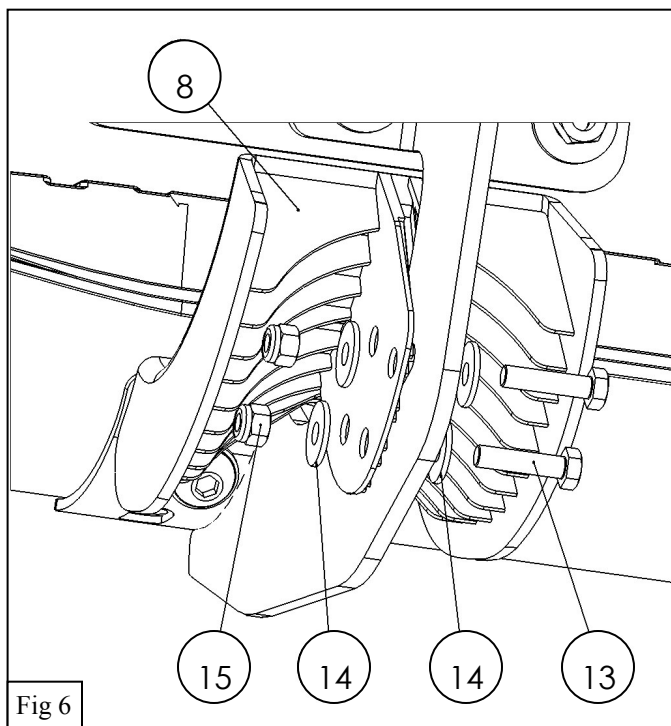
5. At the center passenger mounting location, loosely install the Passenger Side Center Mounting Bracket (7) with the preassembled Universal Bracket (5) using the supplied M8 hardware. **Note:** Installation is similar Bracket A (3). See **Figures 3 & 4**.
6. At the front passenger mounting location, loosely install the Mounting Bracket B (4) with preassembled Universal Bracket (5) using the supplied M8 hardware. **Note:** Installation is similar Bracket A (3). See **Figures 3 & 4**.



7. Loosely install the remaining brackets on the driver side using the supplied M8 hardware. See **Figures 3 & 5**.



8. Secure the Plastic Cover Brackets (8) to the Mounting Brackets using the supplied M6 Hardware. See **Figure 6**
9. Fasten oval tube step bars respectively to either side using the M10 hardware provided with the step bars. See **Figure 7**.
10. Align and adjust the step bars as needed and fully tighten all hardware. Torque all M6 fasteners to 5-7 ft-lbs, all M8 fasteners to 15-18 ft-lbs.



INSTALLATION COMPLETE



Quad Cab Shown

CARE INSTRUCTIONS

- REGULAR WAXING IS RECOMMENDED. DO NOT USE ANY TYPE OF POLISH OR WAX THAT MAY CONTAIN ABRASIVES
- STAINLESS STEEL PRODUCTS CAN BE CLEANED WITH MILD SOAP AND WATER. STAINLESS STEEL POLISH SHOULD BE USED TO POLISH SMALL SCRATCHES.
- GLOSS BLACK FINISHES SHOULD BE CLEANED WITH MILD SOAP AND WATER

WESTIN

Westin Automotive Products, Inc.
320 W. Covina Blvd
San Dimas, Ca. 91773

Thank you for choosing Westin products
for additional installation assistance please call
Customer Service (800) 793-7846
www.westinautomotive.com



WARNING



Failure to follow these instructions could lead to death, personal injury, and / or property damage.

Failure to follow these instructions could lead to death, personal injury, and / or property damage.

FASTENERS:

All Westin supplied fasteners must be utilized and installed in accordance with the installation instructions and apply torque to the specifications as defined. **DOUBLE CHECK ALL FASTENERS BEFORE INITIAL USE, AND PERIODICALLY IN THE FUTURE TO ENSURE PROPER FUNCTION AND SAFETY.**

DRILLING:

Most Westin products do not require drilling for installation. If drilling is defined as required, use caution when drilling a vehicle. **FAILURE TO REVIEW AN AREA TO BE DRILLED MAY RESULT IN PERSONAL INJURY AND/OR INJURY TO OTHERS AS WELL AS VEHICLE DAMAGE.**

EYE PROTECTION:

ALWAYS WEAR SAFETY GLASSES OR GOGGLES DURING THE INSTALLATION PROCESS TO AVOID PERSONAL INJURY.

MAXIMUM TOWING/CARRYING CAPACITY: (if applicable)

The Westin Receiver Hitches will have a visible tow rating label affixed directly on the product. User should never exceed the vehicle manufacturers maximum tow and weight rating regardless of the capacity of the hitch. **FAILURE TO FOLLOW THESE GUIDELINES WILL VOID THE WESTIN WARRANTY AND MAY RESULT IN PERSONAL INJURY AND/OR INJURY TO OTHERS AS WELL AS VEHICLE DAMAGE.**

FOR CALIFORNIA RESIDENTS ONLY-PROP 65 WARNING:

Some products may contain chemicals such as DEHP, which can cause cancer, birth defects or other reproductive harm. For more info go to www.p65warnings.ca.gov



Westin Automotive Products, Inc.
320 W. Covina Blvd
San Dimas, Ca. 91773