

INSTALLATION INSTRUCTIONS

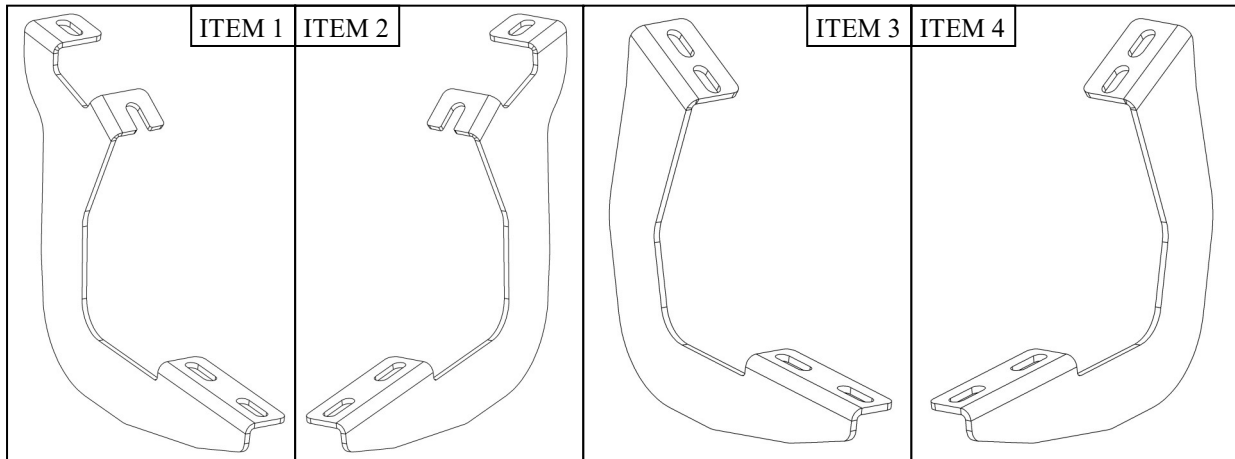
STEP BOARD MOUNT KIT



APPLICATION:
2022 Toyota Tundra CrewMax & Double Cab
PART NUMBER:
27-2485

CONTENT			
ITEM	QUANTITY	DESCRIPTION	TOOLS NEEDED
1	1	DRIVER FRONT MOUNTING BRACKET	13MM SOCKET
2	1	PASSENGER FRONT MOUNTING BRACKET	RATCHET
3	3	DRIVER CENTER/REAR MOUNTING BRACKET	TORQUE WRENCH
4	3	PASSENGER CENTER/REAR MOUNTING BRACKET	
5	16	M8 HEX HEAD BOLT	
6	32	M8 FLAT WASHER	
7	16	M8 SPLIT LOCK WASHER	
8	16	M8 SQUARE HEAD BOLT	
9	16	M8 NYLON LOCK NUT	

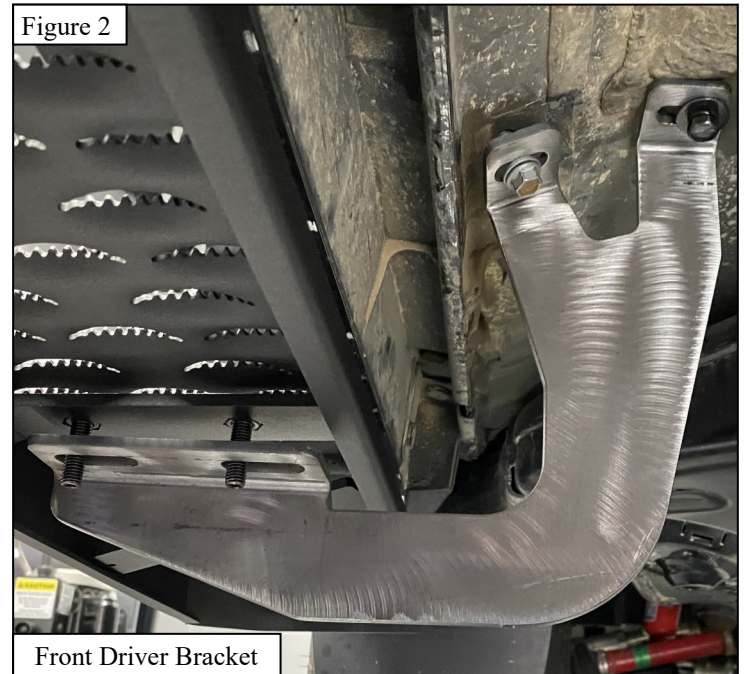
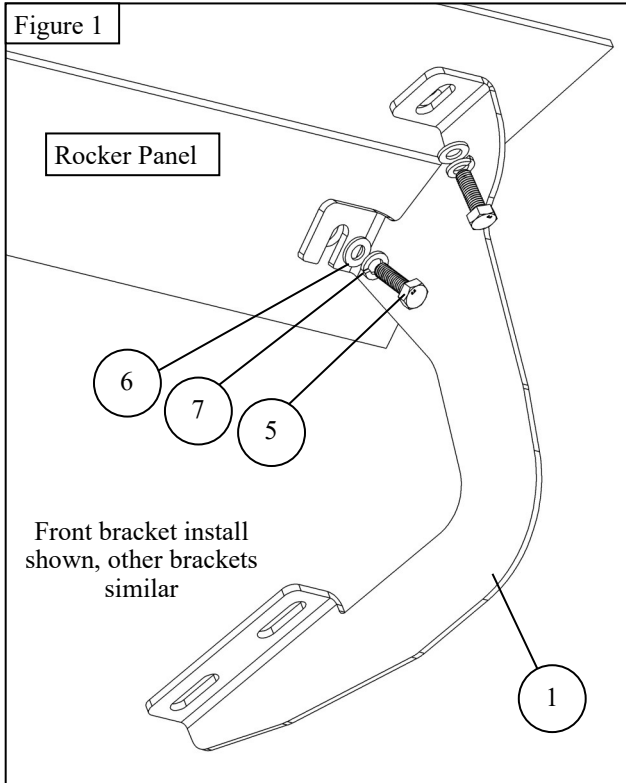
ANTI-SEIZE LUBRICANT MUST BE USED ON ALL STAINLESS STEEL FASTENERS TO PREVENT THREAD DAMAGE AND GALLING



PROCEDURE

1. Remove contents from box, verify if all parts listed are present and free from damage.
Carefully read and understand all instructions before attempting installation.
Failure to identify damage before installation could lead to a rejection of any claim.

2. Locate the mount locations on the rocker panel of the vehicle.
3. Using supplied M8 hardware, attach the driver or passenger side front mounting brackets. See **Figures 1 and 2**.



4. Using supplied M8 hardware, attach the driver or passenger side center/rear mounting brackets. See **Figures 3 and 4**.

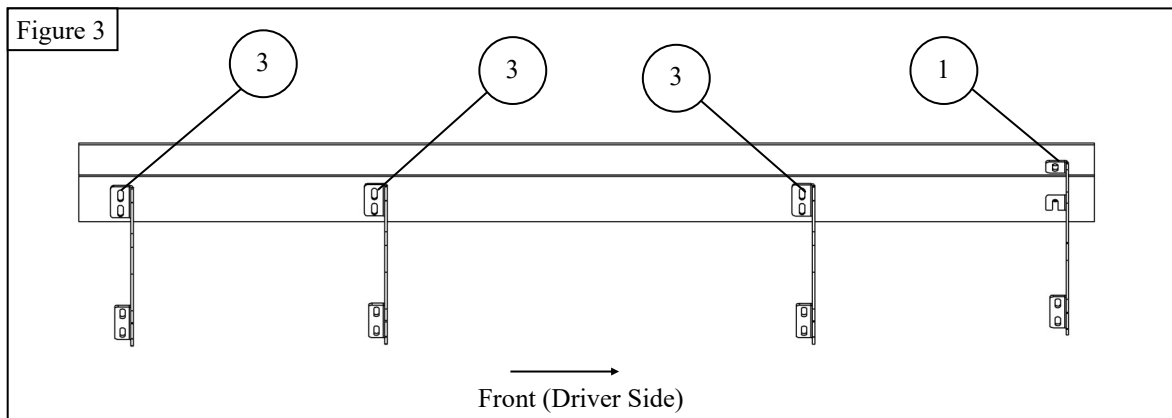
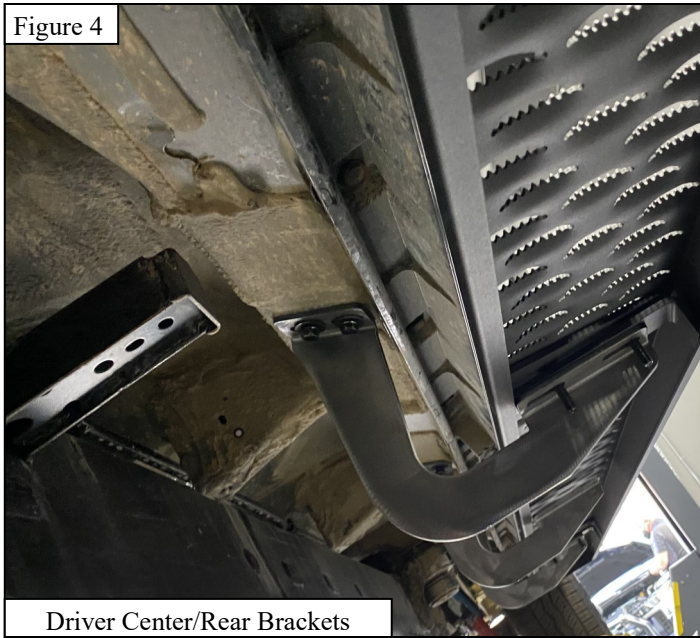


Figure 4



Driver Center/Rear Brackets

5. Fasten the running boards respectively to either side using the provided M8/ 5/16" hardware (Items 6, 8, 9). See **Figure 5**
Note 1: Running boards are sold separately.
Note 2: For Grate Steps Running Boards, refer to the installation instructions included with the running boards.
6. Align and adjust the running boards and mounting brackets as needed. Tighten and torque the hardware as specified: M8/ 5/16" hardware to 15-18 ft-lbs.

Figure for Sure-Grip & SG6 Running Boards

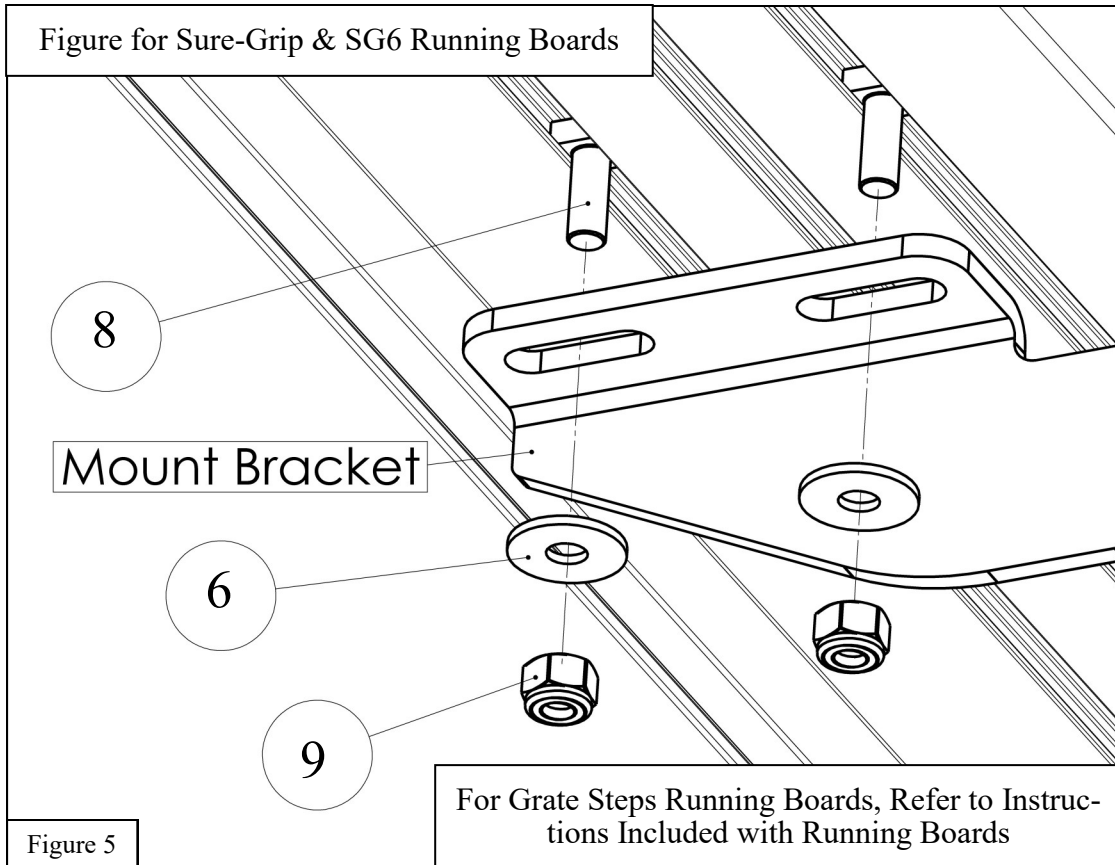


Figure 5

INSTALLATION COMPLETE



CrewMax Shown



Double Cab Shown

CARE INSTRUCTIONS

- REGULAR WAXING IS RECOMMENDED. DO NOT USE ANY TYPE OF POLISH OR WAX THAT MAY CONTAIN ABRASIVES.
- STAINLESS STEEL PRODUCTS CAN BE CLEANED WITH MILD SOAP AND WATER. STAINLESS STEEL POLISH SHOULD BE USED TO POLISH SMALL SCRATCHES.
- GLOSS BLACK FINISHES SHOULD BE CLEANED WITH MILD SOAP AND WATER



Westin Automotive Products, Inc.
320 W. Covina Blvd
San Dimas, Ca. 91773

Thank you for choosing Westin products
for additional installation assistance please call
Customer Service (800) 793-7846

www.westinautomotive.com

DATE: 04/12/2022



WARNING



Failure to follow these instructions could lead to death, personal injury, and / or property damage.

Failure to follow these instructions could lead to death, personal injury, and / or property damage.

FASTENERS:

All Westin supplied fasteners must be utilized and installed in accordance with the installation instructions and apply torque to the specifications as defined. **DOUBLE CHECK ALL FASTENERS BEFORE INITIAL USE, AND PERIODICALLY IN THE FUTURE TO ENSURE PROPER FUNCTION AND SAFETY.**

DRILLING:

Most Westin products do not require drilling for installation. If drilling is defined as required, use caution when drilling a vehicle. **FAILURE TO REVIEW AN AREA TO BE DRILLED MAY RESULT IN PERSONAL INJURY AND/OR INJURY TO OTHERS AS WELL AS VEHICLE DAMAGE.**

EYE PROTECTION:

ALWAYS WEAR SAFETY GLASSES OR GOGGLES DURING THE INSTALLATION PROCESS TO AVOID PERSONAL INJURY.

MAXIMUM TOWING/CARRYING CAPACITY:

The Westin Receiver Hitches will have a visible tow rating label affixed directly on the product. User should never exceed the vehicle manufacturers maximum tow and weight rating regardless of the capacity of the hitch. **FAILURE TO FOLLOW THESE GUIDELINES WILL VOID THE WESTIN WARRANTY AND MAY RESULT IN PERSONAL INJURY AND/OR INJURY TO OTHERS AS WELL AS VEHICLE DAMAGE.**



Westin Automotive Products, Inc.
320 W. Covina Blvd
San Dimas, Ca. 91773