

INSTALLATION INSTRUCTIONS

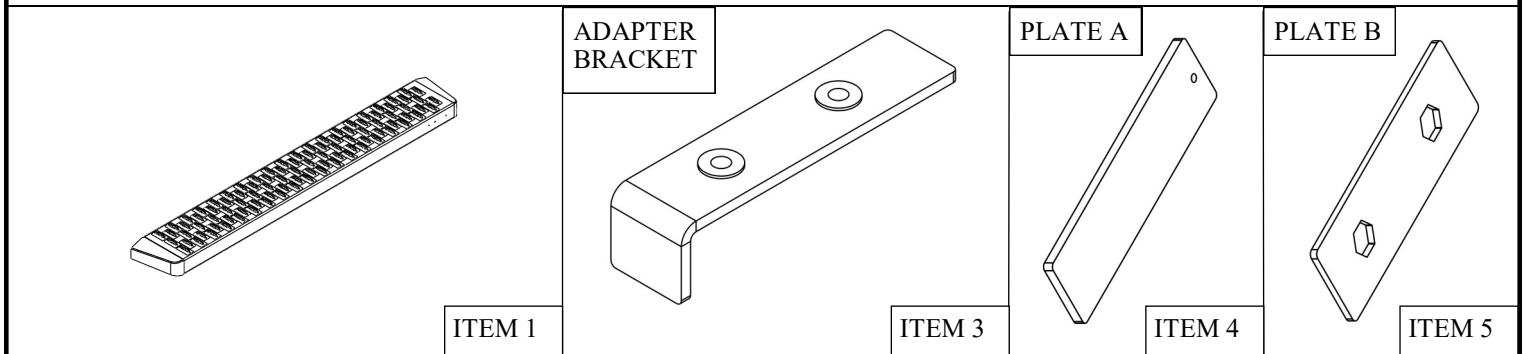
GRATE STEP RUNNING BOARDS



APPLICATION:
Universal Application
PART NUMBER:
27-81015 (For 54" Passenger Sliding Doors or Rear Doors)

CONTENT			
ITEM	QUANTITY	DESCRIPTION	TOOLS NEEDED
1	1	RUNNING BOARD ASSEMBLY	13MM SOCKET
2	3	ADAPTER BRACKET (PREINSTALLED ON RUNNING BOARD ASSEMBLY)	4 MM HEX KEY
3	3	PLATE A (PREINSTALLED ON RUNNING BOARD ASSEMBLY)	RATCHET
4	3	PLATE B	TORQUE WRENCH
5	6	M8 SET SCREW (BLACK ZINC) (PREINSTALLED ON RUNNING BOARD ASSEMBLY)	
6	6	M8 SPLIT LOCK WASHER (YELLOW ZINC)	
7	6	M8 HEX NUT (YELLOW ZINC)	
8	6	M8 FLAT WASHER (YELLOW ZINC)	

ANTI-SEIZE LUBRICANT MUST BE USED ON ALL STAINLESS STEEL FASTENERS TO PREVENT THREAD DAMAGE AND GALLING



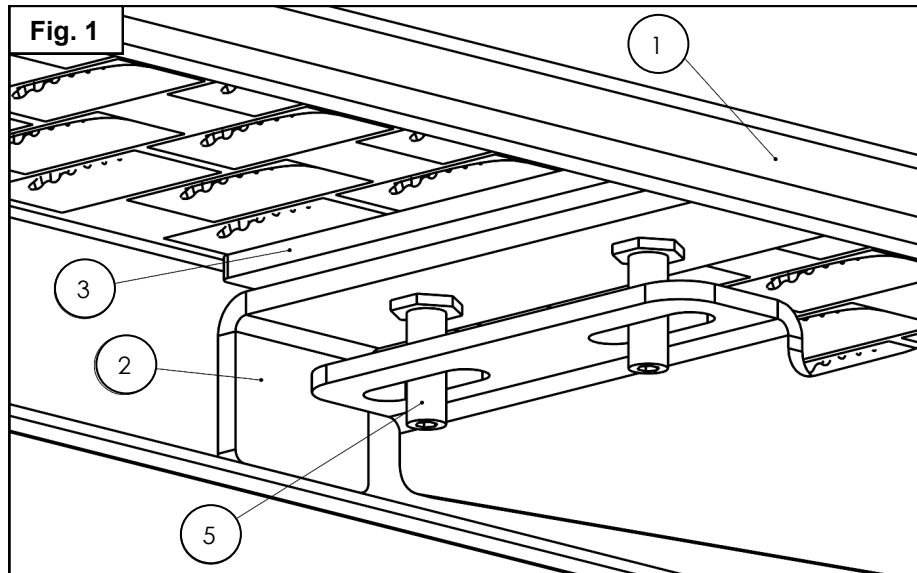
PROCEDURE

1. Remove contents from box, verify if all parts listed are present and free from damage.
Carefully read and understand all instructions before attempting installation.
Failure to identify damage before installation could lead to a rejection of any claim.

2. Install brackets according the instructions included with the mount kit (**sold separately**).

*Note: Some installations **may** require removal of a preinstalled Adapter Bracket, Plate A, and M8 Set Screws.*

3. Place the Running Board Assembly (Item 1) on top of the Mount Brackets.
4. Loosen M8 set screws (Item 5) and adjust Adapter Brackets (Item 2) and Plate A's (Item 3) so that the M8 Set Screws align with the Mount Bracket slots. See **Figure 1**.



5. Adjust the Running Board Assembly (Item 1) along the length of the vehicle as necessary.
6. For each Adapter Bracket (Item 2), lift the Running Board Assembly and place a Plate B (Item 4) between the Adapter Bracket and the Mount Bracket. See **Figure 2**.
7. Tighten the M8 Set Screws (Item 5) until the Adapter Bracket begins to bend.
Note: Do not overtighten the M8 Set Screws. This may damage the Adapter Brackets. The separation between the Adapter Bracket and Plate B should be no more than 1/16" of an inch.
8. For each Adapter Bracket/Mount Bracket pair, use (2) M8 Split Lock Washers (Item 6), (2) M8 Hex Nuts (Item 7), and (2) M8 Flat Washers (Item 8) to secure the Adapter Brackets (Item 2) to the Mount Brackets. See **Figure 2**.
9. Align and adjust the step board as needed. Tighten and torque all M8 hardware to 15-18 ft-lbs.

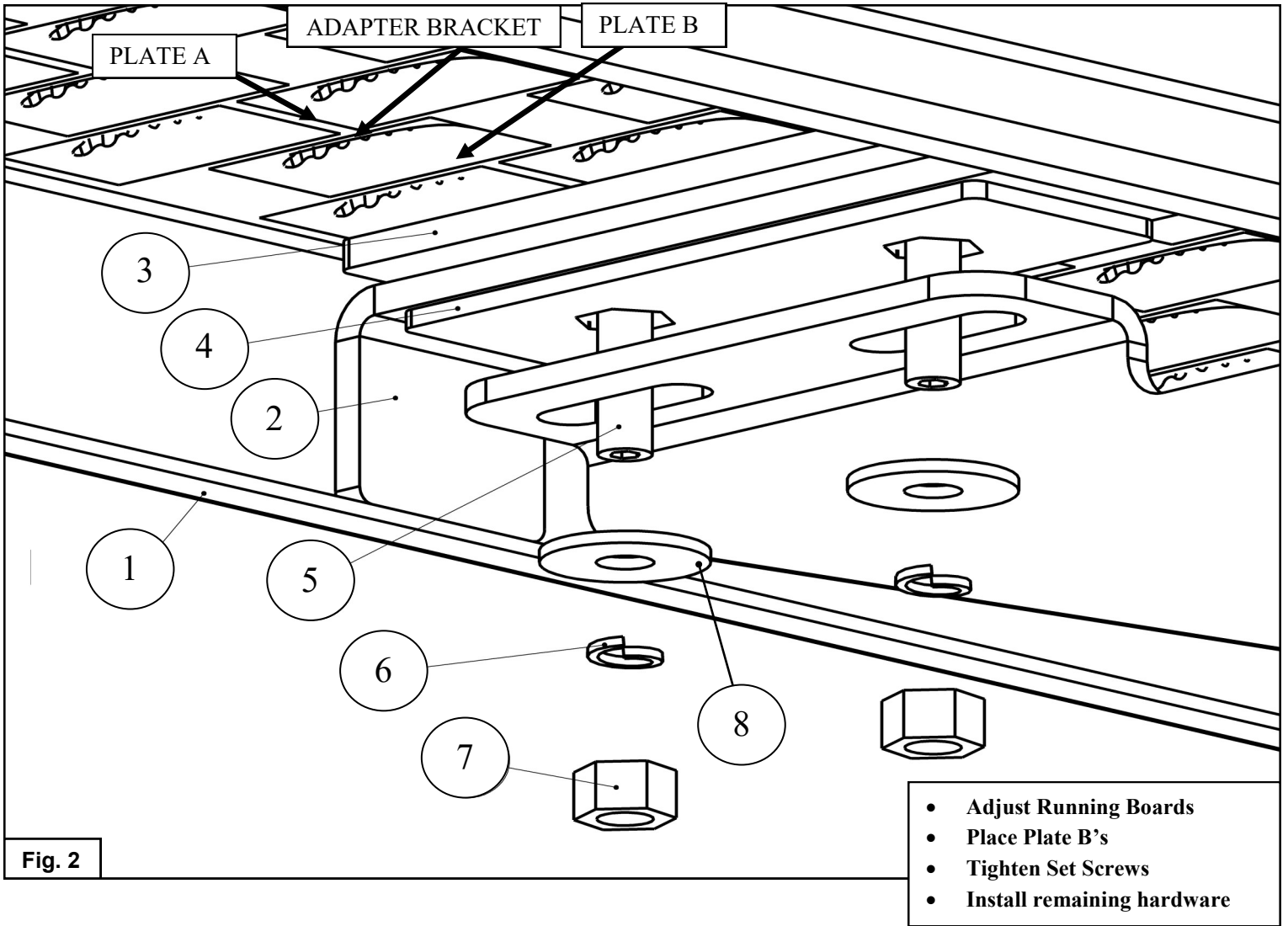


Fig. 2

- Adjust Running Boards
- Place Plate B's
- Tighten Set Screws
- Install remaining hardware

CARE INSTRUCTIONS

- REGULAR WAXING IS RECOMMENDED. DO NOT USE ANY TYPE OF POLISH OR WAX THAT MAY CONTAIN ABRASIVES.
- STAINLESS STEEL PRODUCTS CAN BE CLEANED WITH MILD SOAP AND WATER. STAINLESS STEEL POLISH SHOULD BE USED TO POLISH SMALL SCRATCHES.
- GLOSS BLACK FINISHES SHOULD BE CLEANED WITH MILD SOAP AND WATER.

WESTIN Westin Automotive Products, Inc.
320 W. Covina Blvd
San Dimas, Ca. 91773

Thank you for choosing Westin products
for additional installation assistance please call
Customer Service (800) 793-7846

www.westinautomotive.com

DATE: 2/4/21



WARNING



Failure to follow these instructions could lead to death, personal injury, and / or property damage.

Failure to follow these instructions could lead to death, personal injury, and / or property damage.

FASTENERS:

All Westin supplied fasteners must be utilized and installed in accordance with the installation instructions and apply torque to the specifications as defined. **DOUBLE CHECK ALL FASTENERS BEFORE INITIAL USE, AND PERIODICALLY IN THE FUTURE TO ENSURE PROPER FUNCTION AND SAFETY.**

DRILLING:

Most Westin products do not require drilling for installation. If drilling is defined as required, use caution when drilling a vehicle. **FAILURE TO REVIEW AN AREA TO BE DRILLED MAY RESULT IN PERSONAL INJURY AND/OR INJURY TO OTHERS AS WELL AS VEHICLE DAMAGE.**

EYE PROTECTION:

ALWAYS WEAR SAFETY GLASSES OR GOGGLES DURING THE INSTALLATION PROCESS TO AVOID PERSONAL INJURY.

MAXIMUM TOWING/CARRYING CAPACITY: (if applicable)

The Westin Receiver Hitches will have a visible tow rating label affixed directly on the product. User should never exceed the vehicle manufacturers maximum tow and weight rating regardless of the capacity of the hitch. **FAILURE TO FOLLOW THESE GUIDELINES WILL VOID THE WESTIN WARRANTY AND MAY RESULT IN PERSONAL INJURY AND/OR INJURY TO OTHERS AS WELL AS VEHICLE DAMAGE.**

FOR CALIFORNIA RESIDENTS ONLY-PROP 65 WARNING:

Some products may contain chemicals such as DEHP, which can cause cancer, birth defects or other reproductive harm. For more info go to www.p65warnings.ca.gov



Westin Automotive Products, Inc.
320 W. Covina Blvd
San Dimas, Ca. 91773