



AUTOMOTIVE PRODUCTS,

INSTALLATION INSTRUCTIONS

R5 STEP BOARD

APPLICATION:

2005-2017 Nissan Frontier Crew Cab

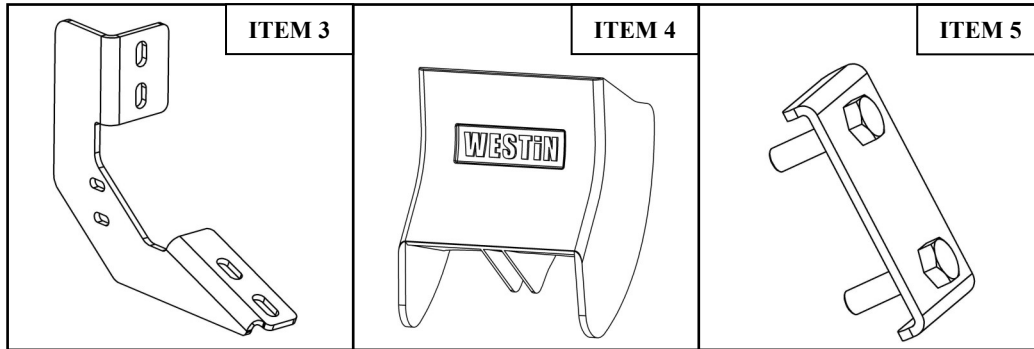
2005-2017 Nisan Frontier Extended / King Cab

PART NUMBER:

28-51170, 28-51175, 28-51180, 28-51185

ITEM	QUANTITY	DESCRIPTION	TOOLS NEEDED
1,2	2	STEP BOARDS, DRIVER (1) AND PASSENGER (2)	10MM SOCKET
3	6	MOUNT BRACKET	13MM SOCKET
4	6	PLASTIC BRACKET COVER	RATCHET
5	6	ADAPTER PLATE (ONLY FOR 28-51170 & 28-51180)	TORQUE WRENCH
6	12	M8 SQUARE HEAD BOLT (BLACK ZINC) (ONLY FOR 28-51175 & 28-51185)	
7	24	M8 SPLIT LOCK WASHER (BLACK ZINC)	
8	24	M8 FLAT WASHER (BLACK ZINC)	
9	24	M8 HEX NUT (BLACK ZINC)	
10	12	M6 HEX HEAD CAP SCREW (YELLOW ZINC)	
11	24	M6 FLAT WASHER (YELLOW ZINC)	
12	12	M6 NYLOCK NUT (YELLOW ZINC)	

ANTI-SEIZE LUBRICANT MUST BE USED ON ALL STAINLESS STEEL FASTENERS TO PREVENT THREAD DAMAGE AND GALLING



PROCEDURE

1. Remove contents from box, verify if all parts listed are present and free from damage. Carefully read and understand all instructions before attempting installation.
Failure to identify damage before installation could lead to a rejection of any claim.
2. Starting on the driver's side front. Locate front mount location on the rocker panel with two studs. Locate (1) mount bracket (Item 3) and loosely install using the provided M8 hardware (Items 7-9). See **Figure 1**.
3. Repeat **Step 2** for every other driver's side mount location and the passenger's side.
4. Locate (1) plastic bracket cover (Item 4) and loosely secure it to the (6) brackets using the provided hardware: (2) M6 hex head cap screws, (4) M6 flat washers, and (2) M6 nylock nuts (Items 10-12). Repeat for every bracket. See **Figure 2**.



Westin Automotive Products, Inc.
320 W. Covina Blvd
San Dimas, Ca. 91773

Thank you for choosing Westin products
for additional installation assistance please call
Customer Service (800) 793-7846

Figure 1

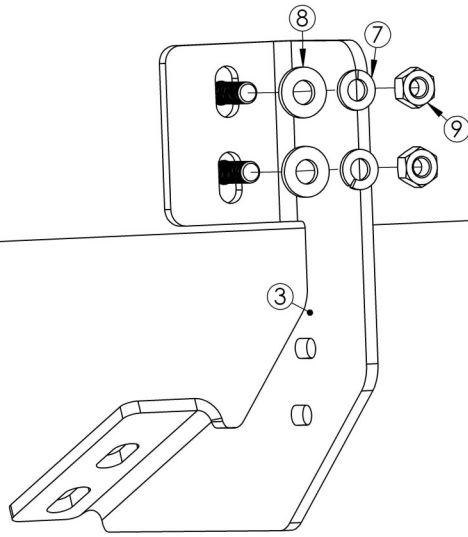
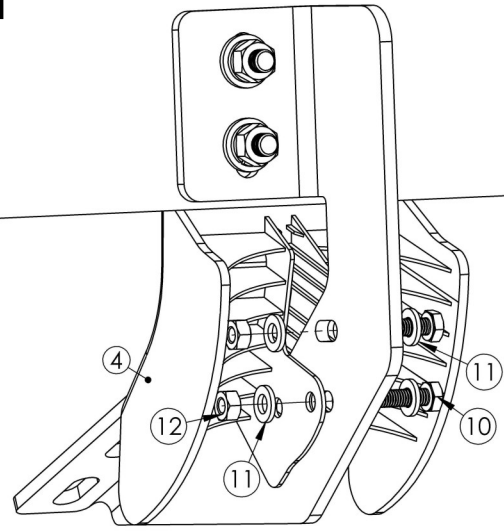


Figure 2



5. **For Part Numbers 28-51175 / 28-51185:** Locate (1) driver side step board (Item 1) and (6) M8 square head bolts (Item 6). Slide the M8 square head bolts through the slots underneath the step board and align with the previously installed mount brackets. Repeat for passenger side. See **Figure 3**.
6. **For Part Numbers 28-51170 / 28-51180:** Locate (1) driver side step board (Item 1) and (2) adapter plates (Item 5). Insert the adapter plates onto the step board and align with the previously installed mount brackets. Repeat for passenger side. (**Figure 4**)

28-51175 / 28-51185

Insert M8 square head bolt through slot in step board and slide along to align with mount bracket slots.

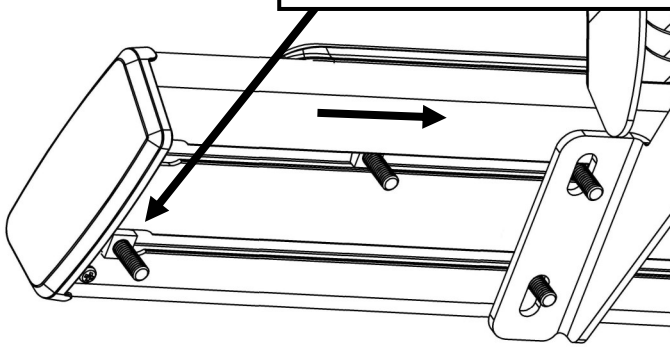


Figure 3

Step 1: Rotate the adapter plate in order to fit into step board.

28-51170 / 28-51180

Step 2: Align adapter plate with bracket slots.

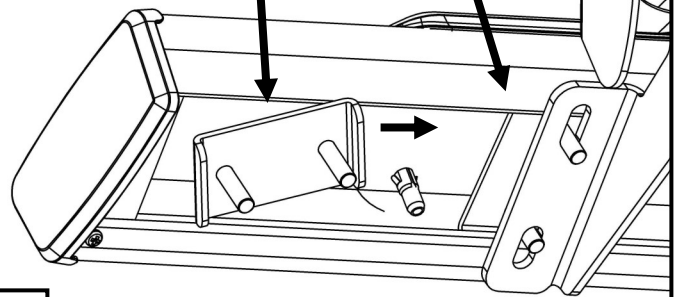


Figure 4

7. Loosely secure the step board onto each mount bracket using (2) M8 hex nuts, (2) M8 split lock washers, and (2) M8 flat washers (Items 7-9). See **Figure 5**.
8. Adjust and align as necessary the mount brackets, step boards, and bracket covers and then tighten M8 hardware to 15-17 ft-lbs and M6 to 5-7 ft-lbs.

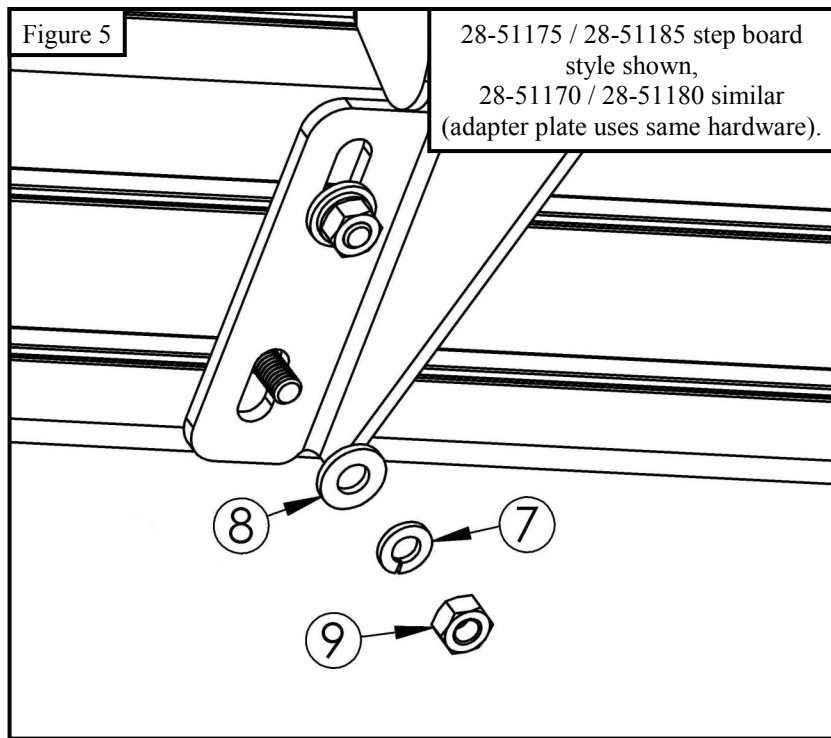


Westin Automotive Products, Inc.
 320 W. Covina Blvd
 San Dimas, Ca. 91773

Thank you for choosing Westin products
 for additional installation assistance please call
 Customer Service (800) 793-7846

www.westinautomotive.com

DATE: 3/29/17



CARE INSTRUCTIONS

- REGULAR WAXING IS RECOMMENDED. DO NOT USE ANY TYPE OF POLISH OR WAX THAT MAY CONTAIN ABRASIVES.
- STAINLESS STEEL PRODUCTS CAN BE CLEANED WITH MILD SOAP AND WATER. STAINLESS STEEL POLISH SHOULD BE USED TO POLISH SMALL SCRATCHES.
- GLOSS BLACK FINISHES SHOULD BE CLEANED WITH MILD SOAP AND WATER.



Westin Automotive Products, Inc.
320 W. Covina Blvd
San Dimas, Ca. 91773

Thank you for choosing Westin products
for additional installation assistance please call
Customer Service (800) 793-7846

Westin

SIGNATURE OF QUALITY

AUTOMOTIVE PRODUCTS, INC.



WARNING



Failure to follow these instructions could lead to death, personal injury, and / or property damage.

FASTENERS:

All Westin supplied fasteners must be utilized and installed in accordance with the installation instructions and apply torque to the specifications as defined. **DOUBLE CHECK ALL FASTENERS BEFORE INITIAL USE, AND PERIODICALLY IN THE FUTURE TO ENSURE PROPER FUNCTION AND SAFETY.**

DRILLING:

Most Westin products do not require drilling for installation. If drilling is defined as required, use caution when drilling a vehicle. **FAILURE TO REVIEW AN AREA TO BE DRILLED MAY RESULT IN PERSONAL INJURY AND/OR INJURY TO OTHERS AS WELL AS VEHICLE DAMAGE.**

EYE PROTECTION:

ALWAYS WEAR SAFETY GLASSES OR GOGGLES DURING THE INSTALLATION PROCESS TO AVOID PERSONAL INJURY.

MAXIMUM TOWING/CARRYING CAPACITY:

The Westin Receiver Hitches will have a visible tow rating label affixed directly on the product. User should never exceed the vehicle manufacturers maximum tow and weight rating regardless of the capacity of the hitch. **FAILURE TO FOLLOW THESE GUIDELINES WILL VOID THE WESTIN WARRANTY AND MAY RESULT IN PERSONAL INJURY AND/OR INJURY TO OTHERS AS WELL AS VEHICLE DAMAGE.**

Westin
SIGNATURE OF QUALITY

Westin Automotive Products, Inc.
320 W. Covina Blvd
San Dimas, Ca. 91773