

INSTALLATION INSTRUCTIONS

E-SERIES BULL BAR



APPLICATION:
2014-2015 Chevrolet Silverado / GMC Sierra 1500

PART NUMBER:
31-5980, 31-5985

APPLICATION:
2016-2018 Chevrolet Silverado & 2019 Silverado 1500 LD /
GMC Sierra 1500 and 2019 Sierra 1500 Limited

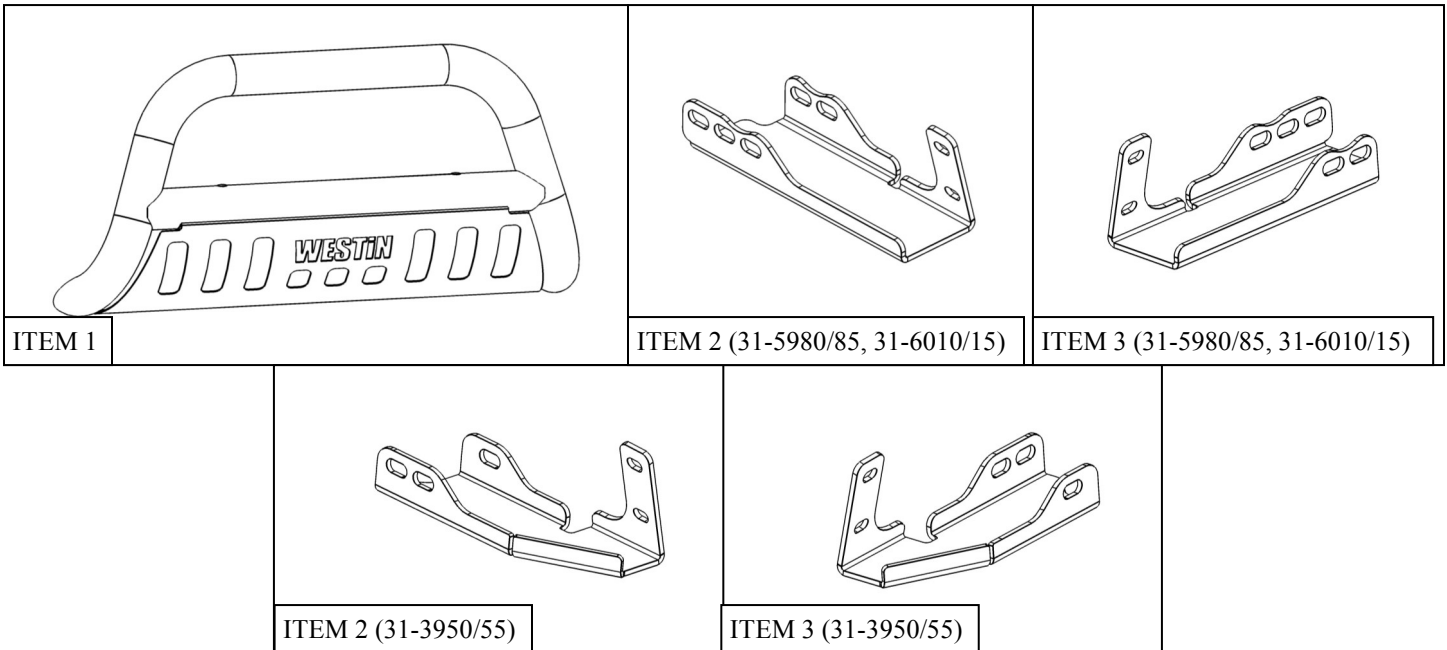
PART NUMBER:
31-6010, 31-6015

APPLICATION:
2019 Chevrolet Silverado 1500 & GMC Sierra 1500

PART NUMBER:
31-3950, 31-3955

ITEM	QUANTITY	DESCRIPTION	TOOLS NEEDED
1	1	BULL BAR WITH SKID PLATE	RATCHET
2,3	2	BULL BAR MOUNTING BRACKETS (DRV. & PASS.)	SCREWDRIVER
4	2	M12 DOUBLE BOLT PLATE	TORQUE WRENCH
5	2	M12 SINGLE BOLT PLATE	UTILITY KNIFE
6	4	M10 BELLVILLE WASHERS (STAINLESS)	ALLEN WRENCH
7	6	M12 FLANGE NUTS (YELLOW ZINC)	18MM SOCKET
8	4	M10 BUTTON HEAD BOLTS (STAINLESS)	10MM SOCKET
9	4	M10 FLANGE NUTS (STAINLESS)	16MM WRENCH

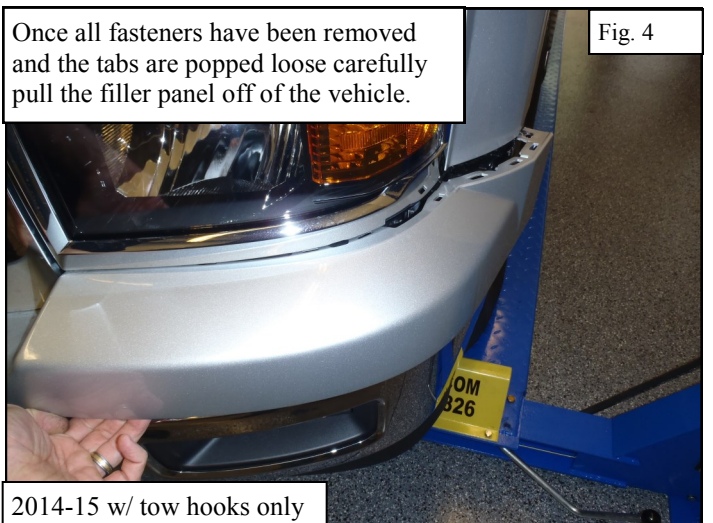
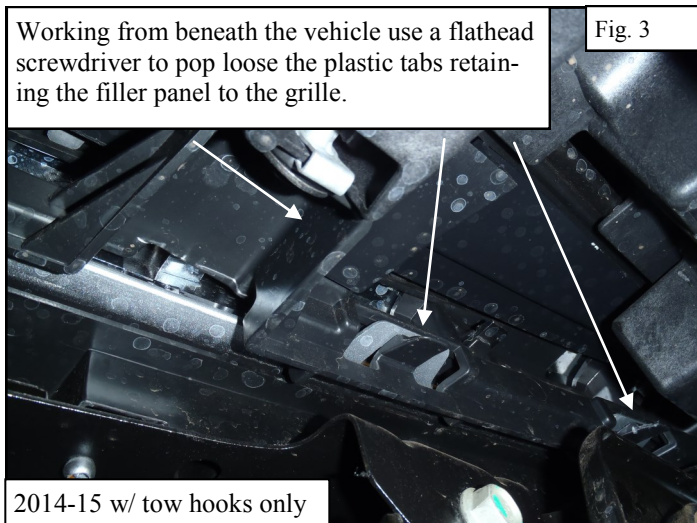
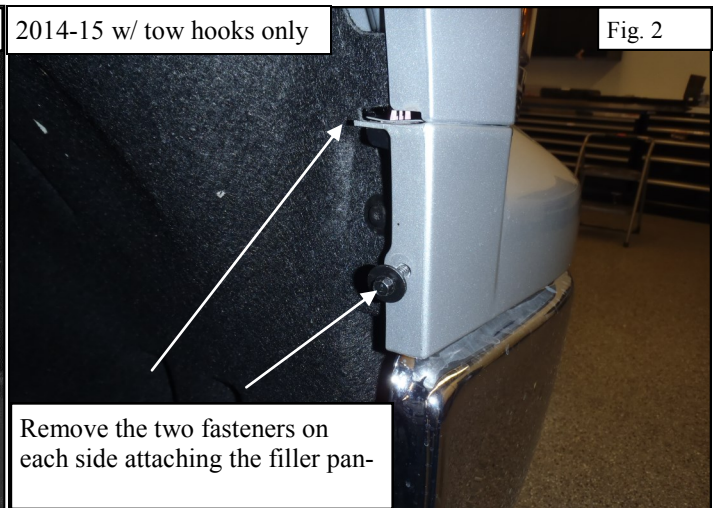
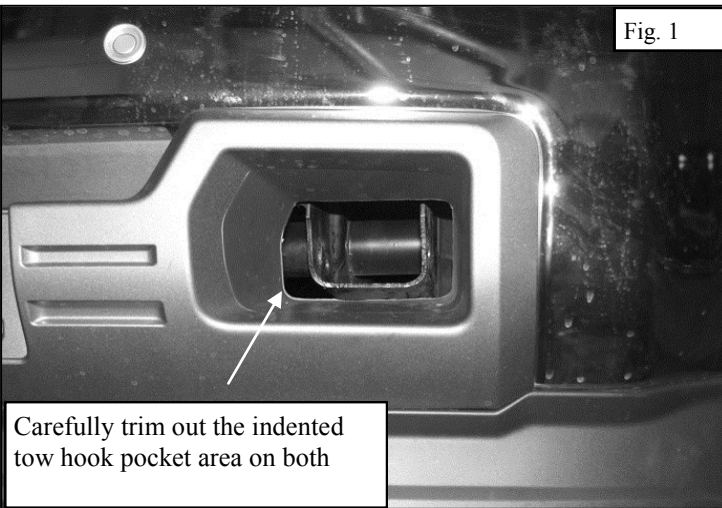
ANTI-SEIZE LUBRICANT MUST BE USED ON ALL STAINLESS STEEL FASTENERS TO PREVENT THREAD DAMAGE AND GALLING

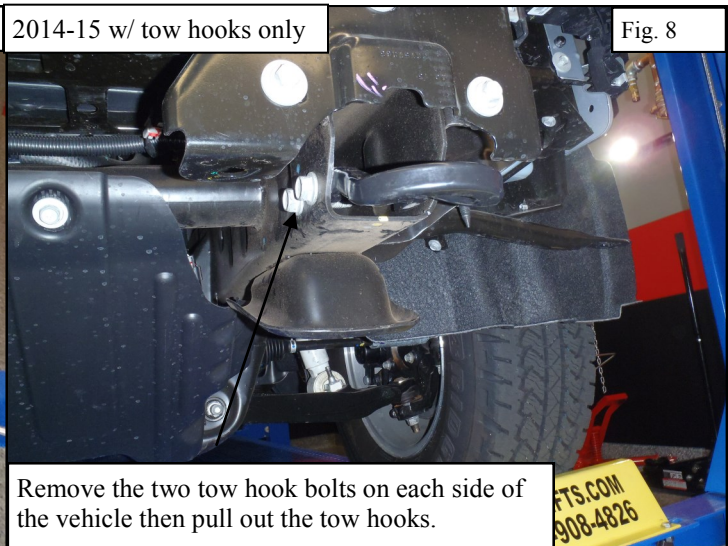
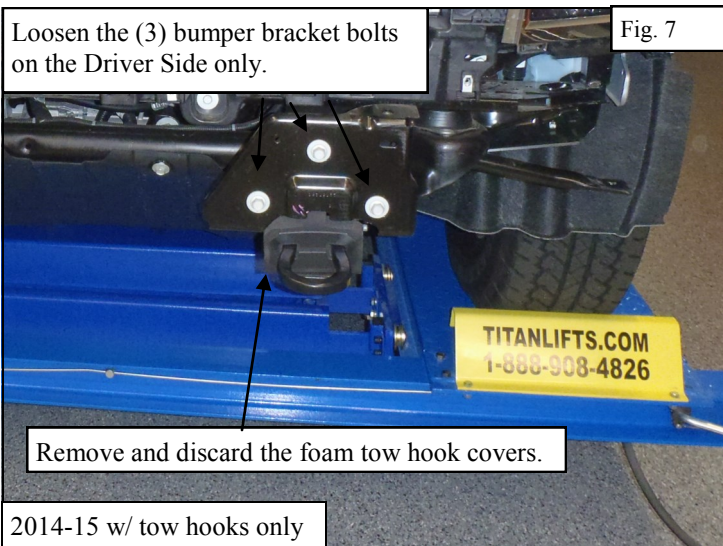
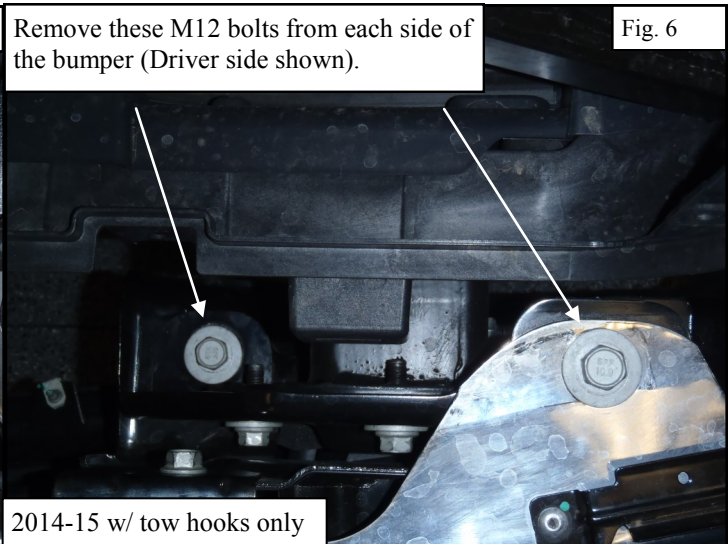
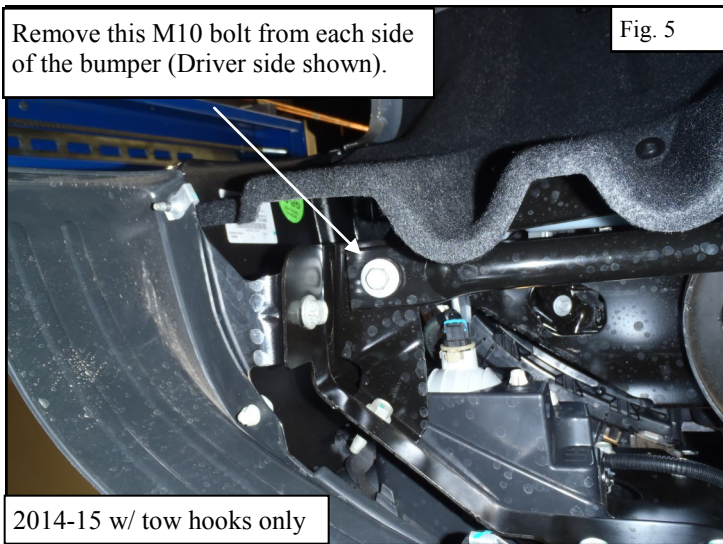


1. Remove contents from box, verify if all parts listed are present and free from damage. Carefully read and understand all instructions before attempting installation.
- 2a. If the vehicle is not equipped with factory tow hooks; carefully trim out the indented tow hook pocket area with a utility knife (Figure 1) then skip to step 7.
- 2b. For 2016 and up vehicles with tow hooks, remove tow hooks as shown in **Figure 8** then skip to **Step 7**.

Steps 3-6 are for 2014-15 Applications WITH TOW HOOKS only

3. If the vehicle is equipped with factory tow hooks; remove the filler panel from the front of the vehicle (Figures 2 - 4).
4. Remove the front bumper assembly (Figures 5 & 6).
5. Remove the factory tow hooks and foam tow hook covers (Figures 7 & 8). They will not be re-used.





6. Re-install the bumper and filler panel in the reverse order that they were removed.

All Applications:

7. Select the Mounting Brackets. Insert the Bracket through the opening in the plastic bumper, (Figure 9). Line up the (3) holes in the Bracket with the holes in the end of the frame channel.

6. Select the 12mm Double Bolt Plate. Insert the Bolt Plate into the end of the frame channel, through the holes in the Bracket and out the side of the frame. Secure the Bolt Plate to the Brackets with (2) M12 flange Nuts. Leave loose at this time. Repeat this step to install the 12mm Single Bolt Plate, into the remaining hole in the side of the Bracket and frame channel, (Figure 10).

Pass. Side Shown

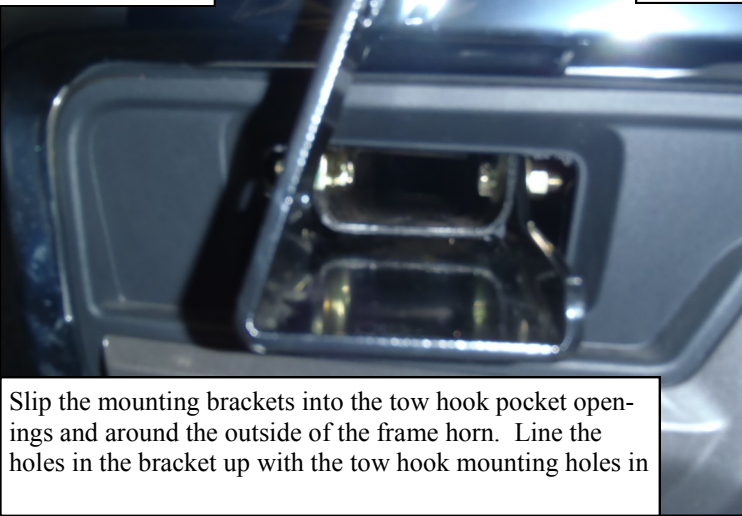


Fig. 9

Pass. Side Shown



Fig. 10

Slip the mounting brackets into the tow hook pocket openings and around the outside of the frame horn. Line the holes in the bracket up with the tow hook mounting holes in

Use the Bolt Plates and Yellow Zinc hardware to secure the Mounting Brackets. (Passenger Side Shown)

9. Loosely install the Bull Bar to each mounting bracket using (4) M10 Button Head Bolts, (4) M10 Bellville Washers, (4) M10 Flange Nuts on each side (Figure 11).

10. Align and adjust the Bull Bar and Mounting Brackets as desired. Tighten and torque Yellow Zinc M12 hardware to 60—65 ft-lbs. Tighten and torque M10 Stainless hardware to 25—30 ft-lbs.

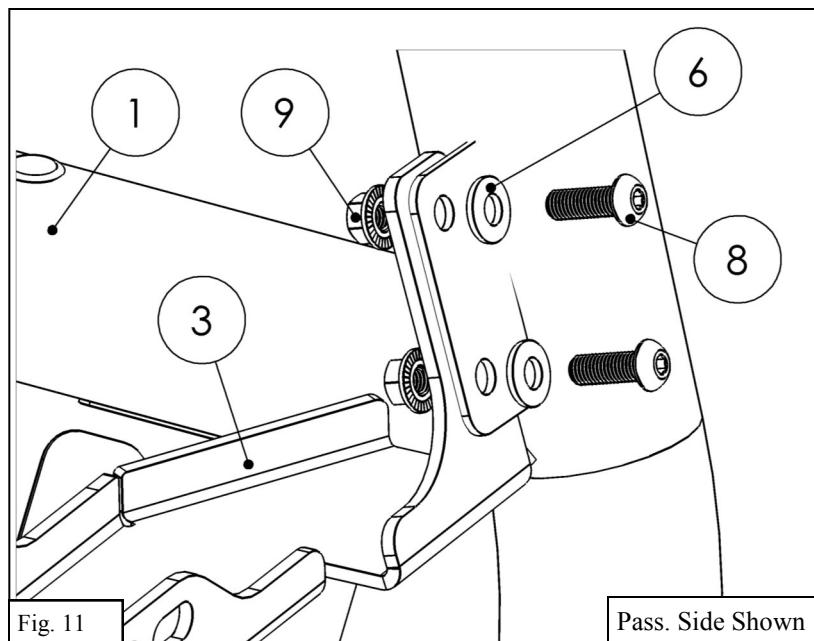


Fig. 11

Pass. Side Shown

INSTALLATION COMPLETE



CARE INSTRUCTIONS

- REGULAR WAXING IS RECOMMENDED. DO NOT USE ANY TYPE OF POLISH OR WAX THAT MAY CONTAIN ABRASIVES.
- STAINLESS STEEL PRODUCTS CAN BE CLEANED WITH MILD SOAP AND WATER. STAINLESS STEEL POLISH SHOULD BE USED TO POLISH SMALL SCRATCHES.
- GLOSS BLACK FINISHES SHOULD BE CLEANED WITH MILD SOAP AND WATER

WESTIN Westin Automotive Products, Inc.
320 Covina Blvd
San Dimas, Ca. 91773

P.N.: 75-3031 RevE

ECO #: W18-0193

5

Thank You for choosing Westin products
For Additional installation assistance please call
Customer service (800) 793-7846
www.westinautomotive.com

DATE: 12/18/18



WARNING



Failure to follow these instructions could lead to death, personal injury, and / or property damage.

Failure to follow these instructions could lead to death, personal injury, and / or property damage.

FASTENERS:

All Westin supplied fasteners must be utilized and installed in accordance with the installation instructions and apply torque to the specifications as defined. **DOUBLE CHECK ALL FASTENERS BEFORE INITIAL USE, AND PERIODICALLY IN THE FUTURE TO ENSURE PROPER FUNCTION AND SAFETY.**

DRILLING:

Most Westin products do not require drilling for installation. If drilling is defined as required, use caution when drilling a vehicle. **FAILURE TO REVIEW AN AREA TO BE DRILLED MAY RESULT IN PERSONAL INJURY AND/OR INJURY TO OTHERS AS WELL AS VEHICLE DAMAGE.**

EYE PROTECTION:

ALWAYS WEAR SAFETY GLASSES OR GOGGLES DURING THE INSTALLATION PROCESS TO AVOID PERSONAL INJURY.

MAXIMUM TOWING/CARRYING CAPACITY: (if applicable)

The Westin Receiver Hitches will have a visible tow rating label affixed directly on the product. User should never exceed the vehicle manufacturers maximum tow and weight rating regardless of the capacity of the hitch. **FAILURE TO FOLLOW THESE GUIDELINES WILL VOID THE WESTIN WARRANTY AND MAY RESULT IN PERSONAL INJURY AND/OR INJURY TO OTHERS AS WELL AS VEHICLE DAMAGE.**