



AUTOMOTIVE PRODUCTS, INC.

# INSTRUCTIONS—INSTRUCCIONES—CONSIGNES

APPLICATION: 2007-2014 TOYOTA TUNDRA D-CAB & CREW MAX  
APP PART # 21-23240, 21-23245, 21-23250, 21-23255  
21-53240, 21-53245, 21-53250, & 21-53255  
PRO TRAXX OVAL STEP BARS

ITEM	QUANTITY	DESCRIPTION	TOOLS NEEDED
1	2	STEP BARS	TORQUE WRENCH
2	2	FRONT MOUNTING BRACKETS	12MM SOCKET
3	2	CENTER MOUNTING BRACKETS	13MM SOCKET
4	2	REAR MOUNTING BRACKETS	RATCHET
5	12	M8 X 30MM HEX HEAD CAP SCREWS	HEX KEY TOOL
6	12	M8 FLAT WASHERS	
7	12	M8 LOCK WASHERS	
8	12	M10 X 25MM HEX BUTTON HEAD CAP SCREWS (STAINLESS STEEL)	
9	12	M10 TOOTHED LOCK WASHERS (STAINLESS STEEL)	
10	12	M10 FLAT WASHERS (STAINLESS STEEL)	

## ANTI-SEIZE LUBRICANT MUST BE USED ON ALL STAINLESS STEEL FASTENERS TO PREVENT THREAD DAMAGE AND GALLING

1. Remove contents from box, verify if all parts listed are present and free from damage. Carefully read and understand all instructions before attempting installation.
2. Starting at the driver side front using the 12mm socket remove the factory rocker panel bolt and set aside (fig 1). *Note: the factory bolts will not be re-installed.*
3. Install the front mounting bracket (item 2) using (2) M8 hex head cap screws (item 5), (2) M8 flat washers (item 6), and (2) M8 lock washers (item 7) (fig 2). *Do not fully tighten at this time.*
4. Remove the two center rocker panel factory hex head cap screws located near the rear of the drivers door and set aside (fig 3).
5. Install the center mounting bracket (item 3) using (2) M8 hex head cap screws (item 5), (2) M8 flat washers (item 6), and (2) M8 lock washers (item 7) (fig 4). *Do not fully tighten at this time.*
6. Repeat steps 4 and 5 for the rear mounting bracket (item 4). *Note: the rear mounting bracket is marked with an indicator hole or notch.*
7. Take the drivers side step bar (item 1) and place it on the mounting cradles and align the mounting holes. Attach using (6) M10 button head cap screws (item 8), (6) M10 toothed lock washers (item 9), and (6) M10 flat washers (item 10) (fig 5). *Note: the drivers side step tube will be packaged in a clear poly tube and the passenger side will be packaged in a red poly tube, the Westin logo should face outward when installed.*
8. Align and adjust step bars as needed and tighten all hardware at this time. Torque all M8 fasteners to 15-20 ft-lbs, and M10 fasteners to 20-25 ft-lbs (fig 6).
9. Follow the same steps to install the passenger side mounting brackets and step bar.

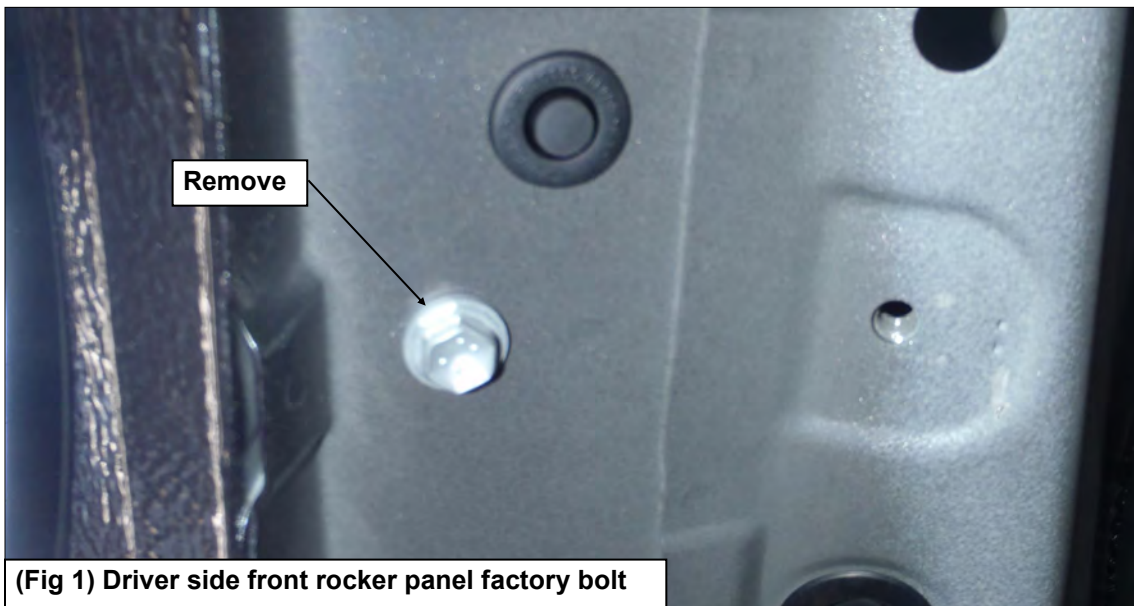
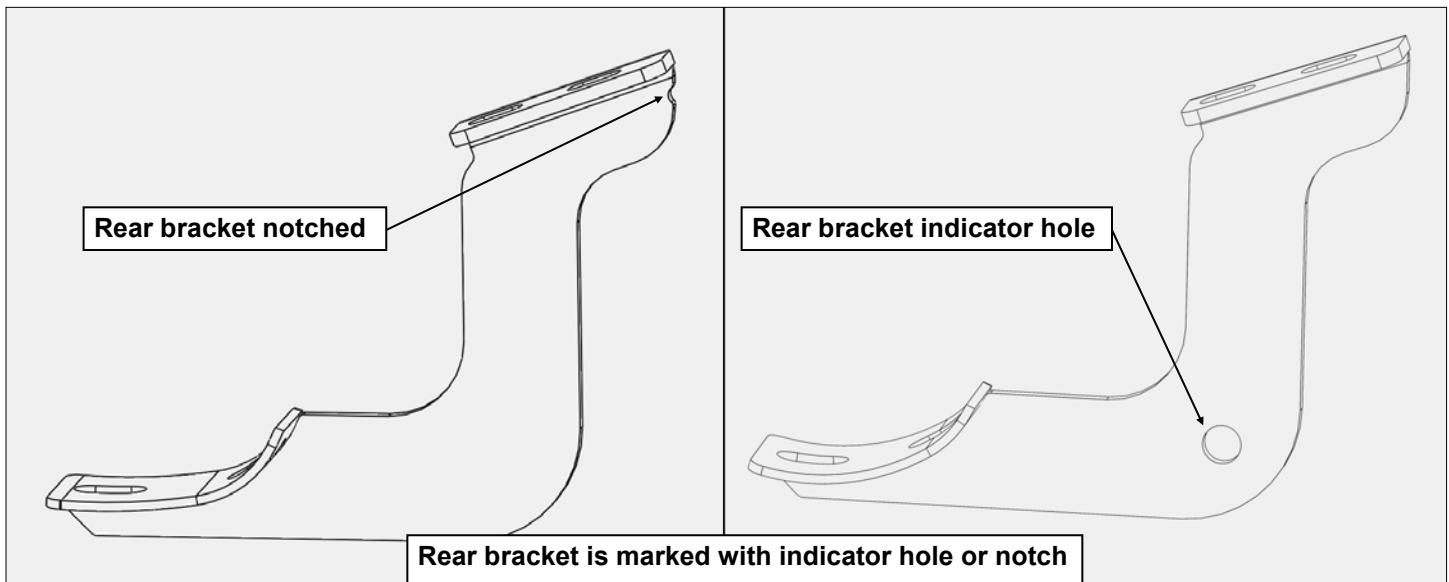
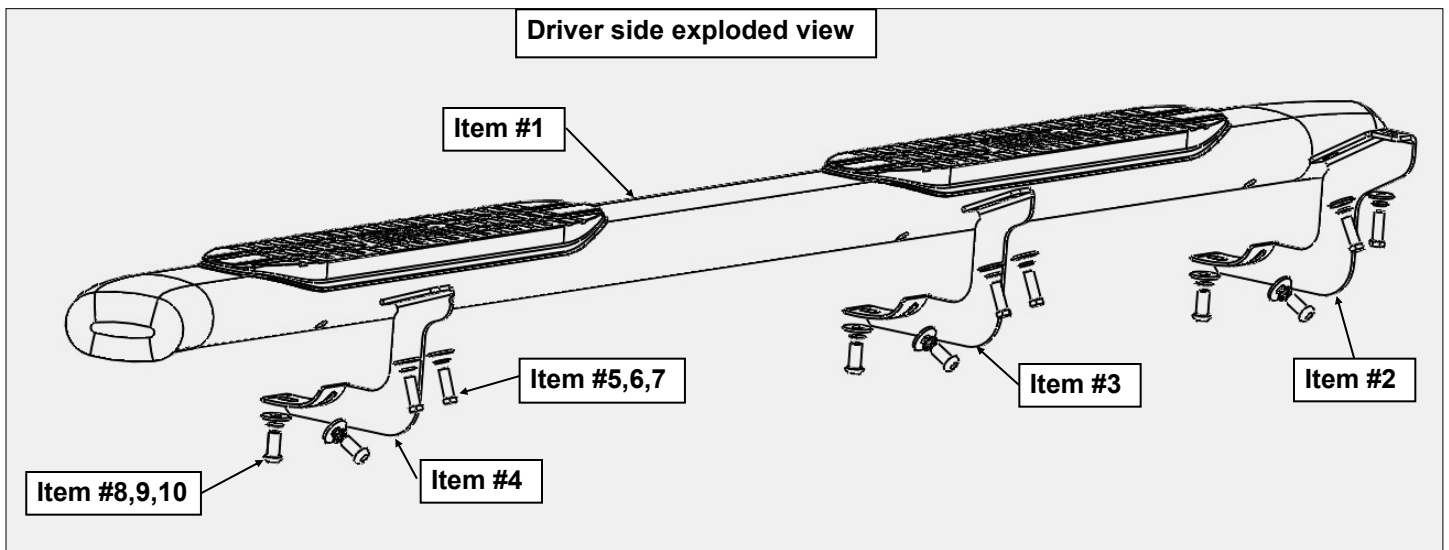
### CARE INSTRUCTIONS

- REGULAR WAXING IS RECOMMENDED. DO NOT USE ANY TYPE OF POLISH OR WAX THAT MAY CONTAIN ABRASIVES
- STAINLESS STEEL PRODUCTS CAN BE CLEANED WITH MILD SOAP AND WATER. STAINLESS STEEL POLISH SHOULD BE USED TO POLISH SMALL SCRATCHES.
- GLOSS BLACK FINISHES SHOULD BE CLEANED WITH MILD SOAP AND WATER



Westin Automotive Products, Inc.  
320 Covina Blvd  
San Dimas, Ca. 91773

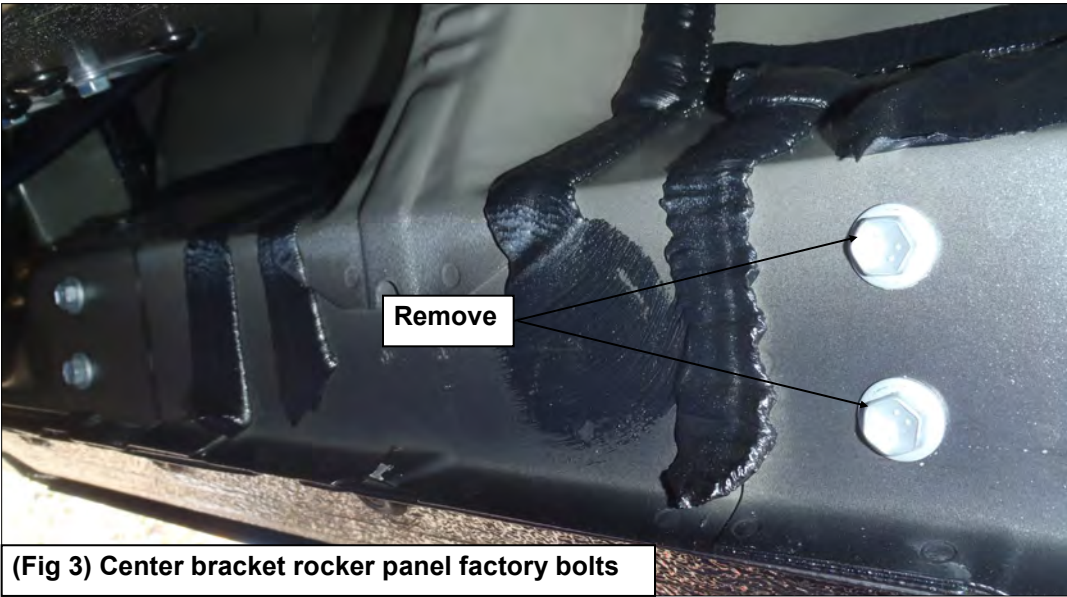
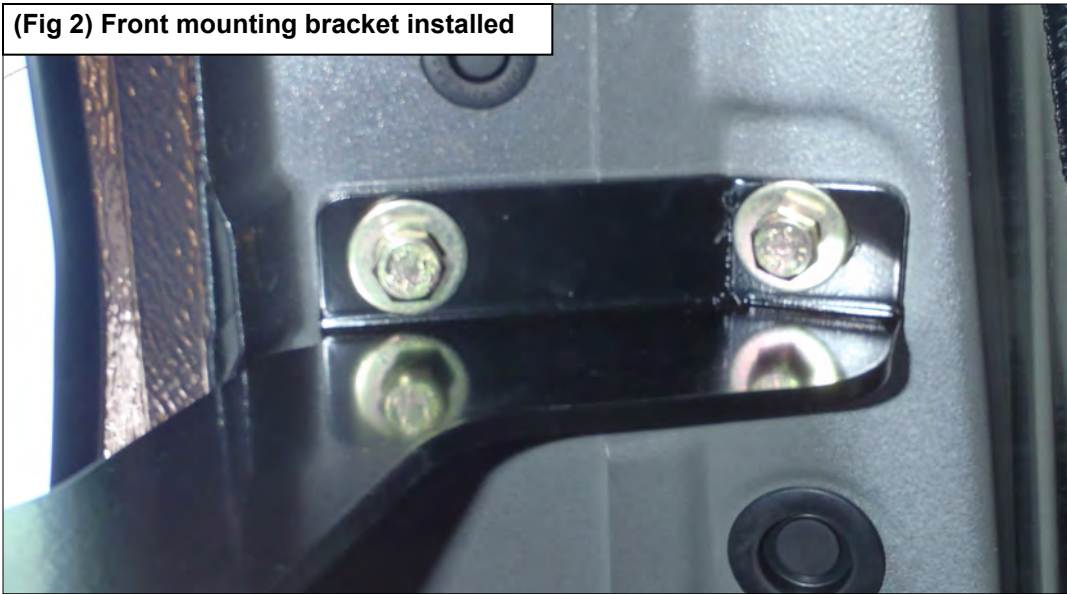
Thank You for choosing Westin products  
For Additional installation assistance please call  
Customer service (800) 793-7846  
www.westinautomotive.com



Westin Automotive Products, Inc.  
 320 Covina Blvd  
 San Dimas, Ca. 91773

Thank You for choosing Westin products  
 For Additional installation assistance please call  
 Customer service (800) 793-7846  
[www.westinautomotive.com](http://www.westinautomotive.com)

(Fig 2) Front mounting bracket installed



(Fig 3) Center bracket rocker panel factory bolts



(Fig 4) Center mounting bracket installed



Westin Automotive Products, Inc.  
320 Covina Blvd  
San Dimas, Ca. 91773

Thank You for choosing Westin products  
For Additional installation assistance please call  
Customer service (800) 793-7846  
[www.westinautomotive.com](http://www.westinautomotive.com)

(Fig 5) Step tube installed to bracket



(Fig 6) Installation complete



Westin Automotive Products, Inc.  
320 Covina Blvd  
San Dimas, Ca. 91773

Thank You for choosing Westin products  
For Additional installation assistance please call  
Customer service (800) 793-7846  
[www.westinautomotive.com](http://www.westinautomotive.com)