

INSTALLATION INSTRUCTIONS

E-Series Bull Bar



APPLICATION:

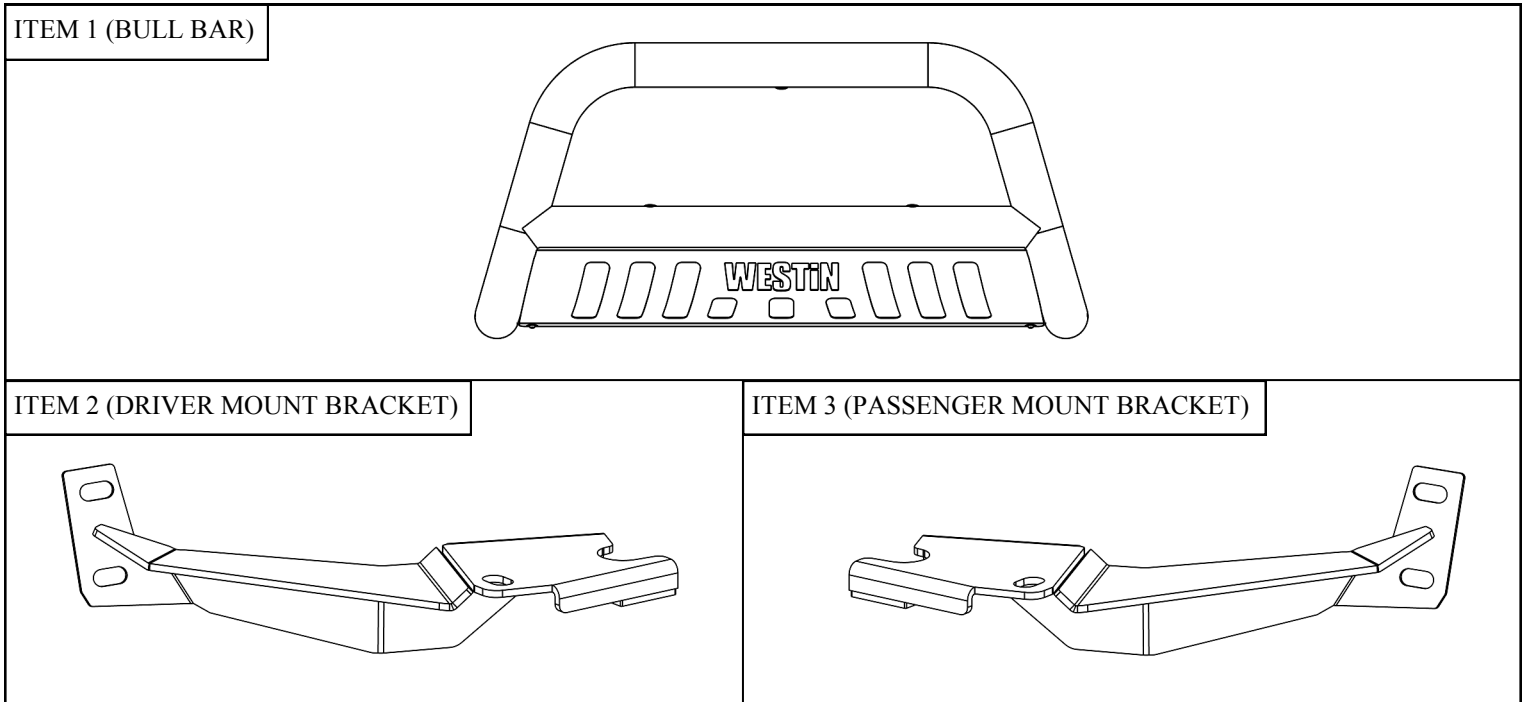
2019 Ram 1500 (Excl. 2019 Ram 1500 Classic) (Excl. Rebel)

PART NUMBER:

31-3970, 31-3975

CONTENT			
ITEM	QUANTITY	DESCRIPTION	TOOLS NEEDED
1	1	BULL BAR	17MM SOCKET
2	1	DRIVER MOUNT BRACKET	21MM SOCKET
3	1	PASSENGER MOUNT BRACKET	RATCHET
4	2	M14 HEX HEAD BOLT	TORQUE WRENCH
5	2	M14 SPLIT LOCK WASHER	ALLEN WRENCH
6	2	M14 WASHER	
7	4	M10 BUTTON HEAD BOLT	
8	4	M10 SPLIT LOCK WASHER	
9	4	M10 FLAT WASHER	
10	4	M10 SERRATED FLANGE NUT	

ANTI-SEIZE LUBRICANT MUST BE USED ON ALL STAINLESS STEEL FASTENERS TO PREVENT THREAD DAMAGE AND GALLING

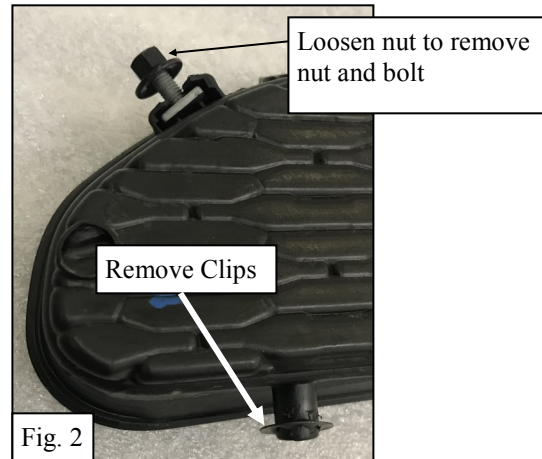
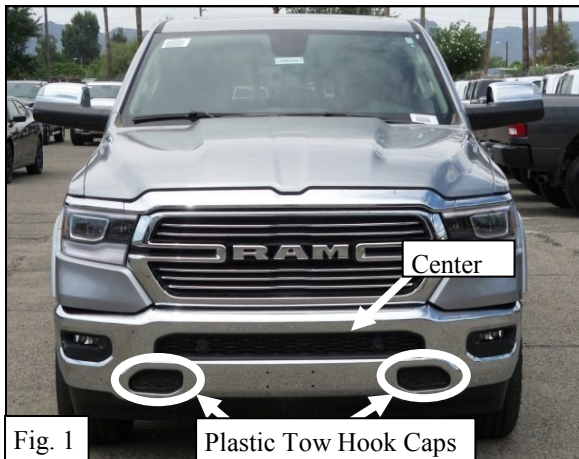


PROCEDURE

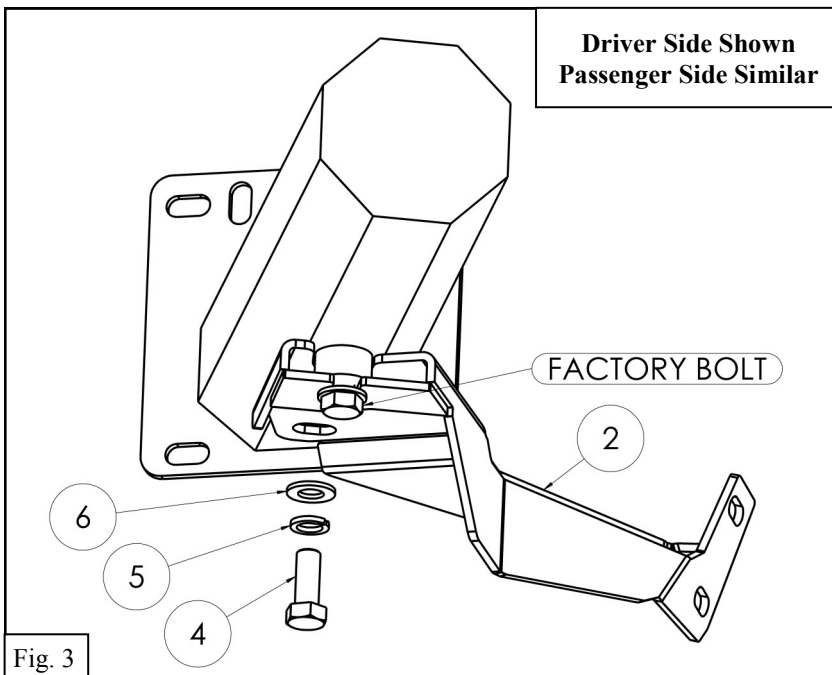
1. Remove contents from box, verify if all parts listed are present and free from damage. Carefully read and understand all instructions before attempting installation.
Failure to identify damage before installation could lead to a rejection of any claim.

2. Begin by removing the plastic caps for the tow hook attachment area by removing the nuts and clips on top and bottom. If tow hooks are present, they will need to be removed and will not be used again. See **Figures 1 & 2**.

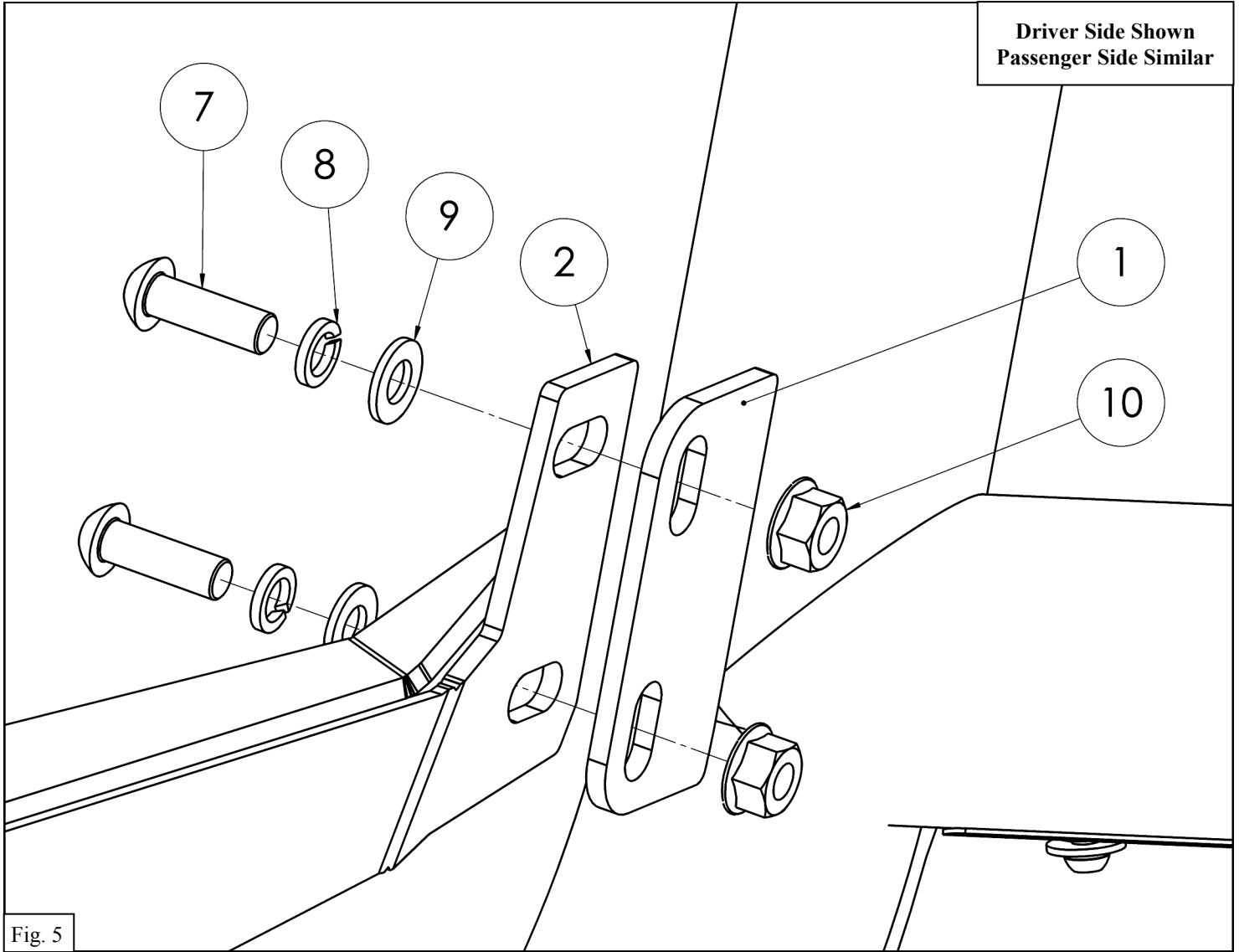
Note: Plastic caps may be trimmed and reused.



3. Install the Driver Mount Bracket (item 2) using the factory bolt shown in **Figure 3** and the included M14 hardware (items 4-6). Do not tighten hardware at this time. See **Figures 3 & 4**.

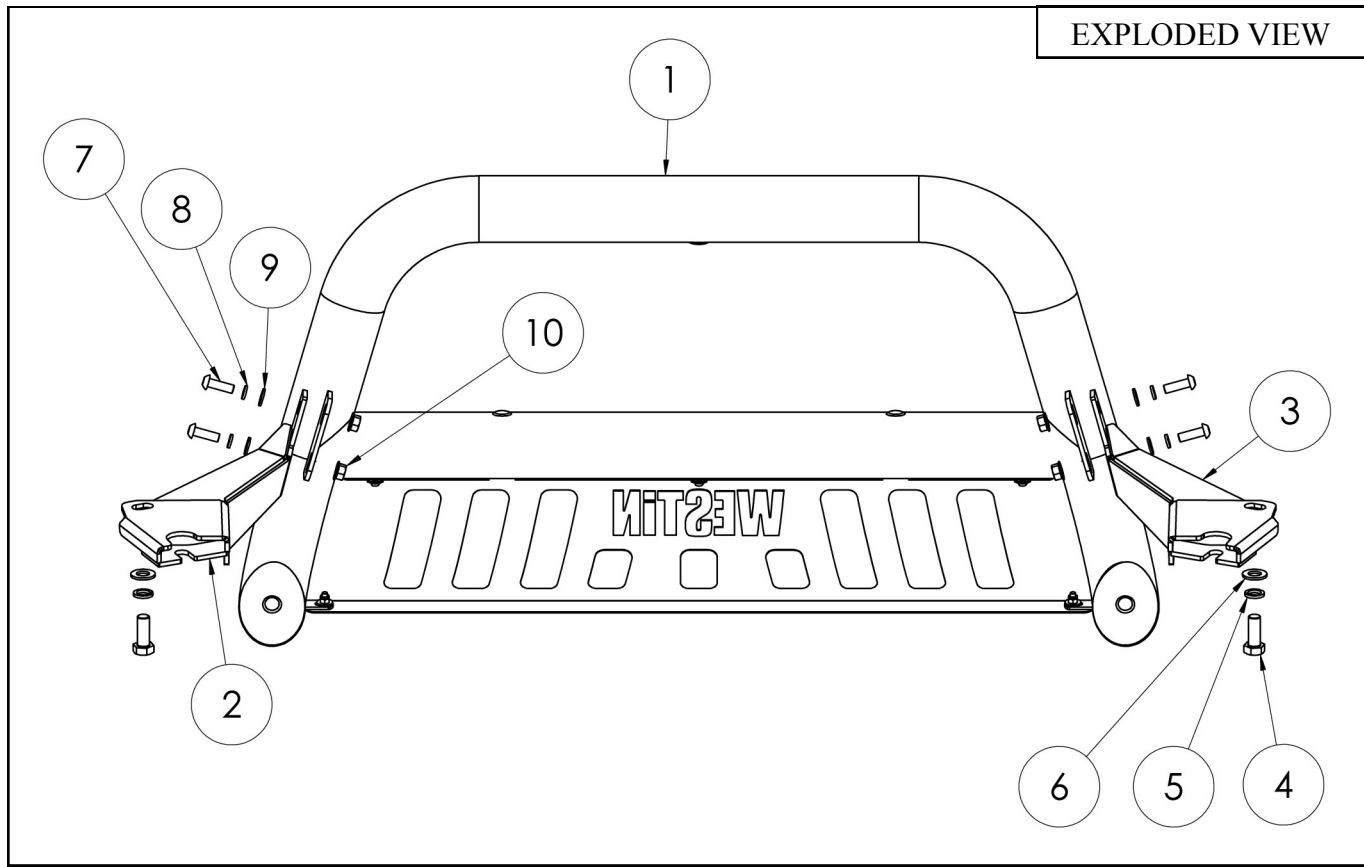


4. Install the Passenger Mount Bracket (item 3). *Note: Installation of the passenger mount bracket is similar to driver mount bracket.*
5. Trim and reinstall the plastic caps removed in **Step 2**.
6. Attach the Bull Bar (item 1) to the Mount Brackets (items 2 & 3) using the supplied M10 hardware (items 7-10).
See **Figure 5**.



7. Adjust bull bar and brackets as necessary and torque all hardware according to the following specifications:
M10 to 25-30 ft-lbs and M14 to 88 ft-lbs.

EXPLODED VIEW



INSTALLATION COMPLETE



HDX Drop Nerf Step Bars Sold Separately

WESTIN Westin Automotive Products, Inc.
320 W. Covina Blvd
San Dimas, Ca. 91773

Thank you for choosing Westin products
for additional installation assistance please call
Customer Service (800) 793-7846
www.westinautomotive.com
DATE: 8/7/19



WARNING



Failure to follow these instructions could lead to death, personal injury, and / or property damage.

Failure to follow these instructions could lead to death, personal injury, and / or property damage.

FASTENERS:

All Westin supplied fasteners must be utilized and installed in accordance with the installation instructions and apply torque to the specifications as defined. **DOUBLE CHECK ALL FASTENERS BEFORE INITIAL USE, AND PERIODICALLY IN THE FUTURE TO ENSURE PROPER FUNCTION AND SAFETY.**

DRILLING:

Most Westin products do not require drilling for installation. If drilling is defined as required, use caution when drilling a vehicle. **FAILURE TO REVIEW AN AREA TO BE DRILLED MAY RESULT IN PERSONAL INJURY AND/OR INJURY TO OTHERS AS WELL AS VEHICLE DAMAGE.**

EYE PROTECTION:

ALWAYS WEAR SAFETY GLASSES OR GOGGLES DURING THE INSTALLATION PROCESS TO AVOID PERSONAL INJURY.

MAXIMUM TOWING/CARRYING CAPACITY: (if applicable)

The Westin Receiver Hitches will have a visible tow rating label affixed directly on the product. User should never exceed the vehicle manufacturers maximum tow and weight rating regardless of the capacity of the hitch. **FAILURE TO FOLLOW THESE GUIDELINES WILL VOID THE WESTIN WARRANTY AND MAY RESULT IN PERSONAL INJURY AND/OR INJURY TO OTHERS AS WELL AS VEHICLE DAMAGE.**

FOR CALIFORNIA RESIDENTS ONLY-PROP 65 WARNING:

Some products may contain chemicals such as DEHP, which can cause cancer, birth defects or other reproductive harm. For more info go to www.p65warnings.ca.gov



Westin Automotive Products, Inc.
320 W. Covina Blvd
San Dimas, Ca. 91773