

INSTALLATION INSTRUCTIONS

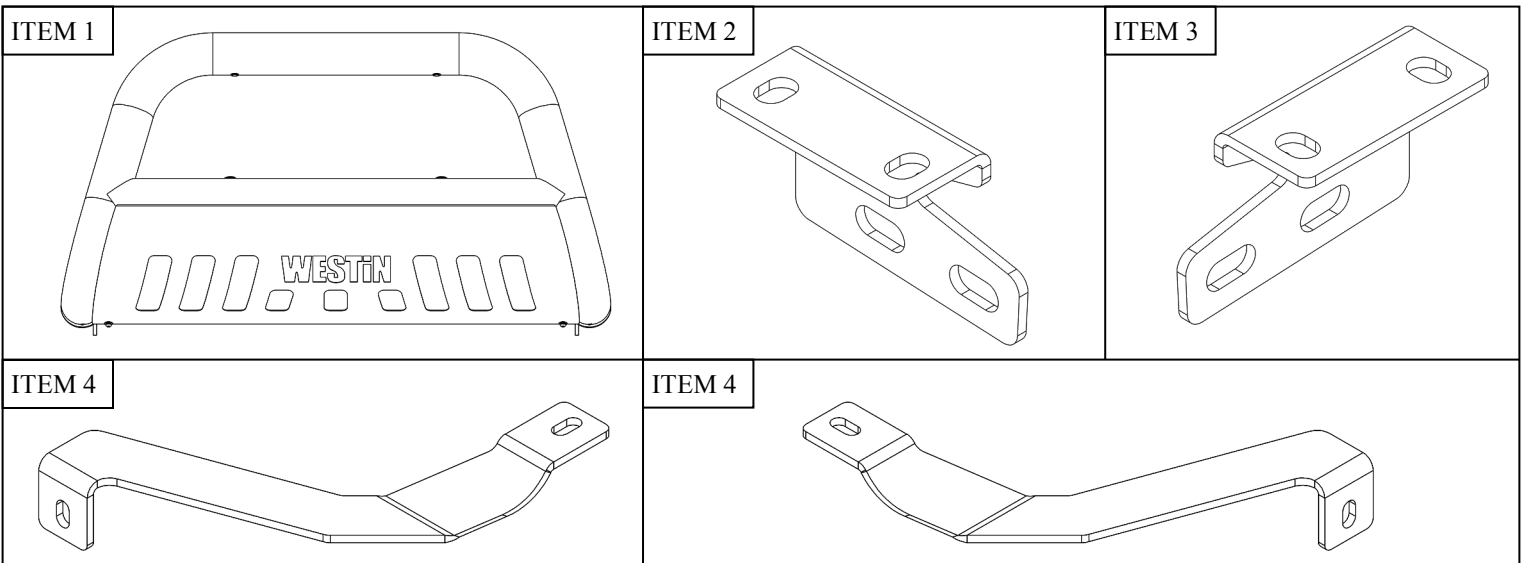
E- SERIES BULL BAR



APPLICATION:
2019 Ford Ranger
PART NUMBER:
31-3980, 31-3985

CONTENT			
ITEM	QUANTITY	DESCRIPTION	TOOLS NEEDED
1	1	BULL BAR	13MM SOCKET
2	1	DRIVER MOUNTING BRACKET	17MM SOCKET
3	1	PASSENGER MOUNTING BRACKET	13MM WRENCH
4	1	DRIVER SUPPORT STRAP	17MM WRENCH
5	1	PASSENGER SUPPORT STRAP	RATCHET
6	4	M12 HEX HEAD BOLT (BLACK ZINC)	TORQUE WRENCH
7	4	M12 SPLIT LOCK WASHER (BLACK ZINC)	CUTTING TOOL
8	4	M12 FLAT WASHER (BLACK ZINC)	
9	4	M12 SERRATED FLANGE BOLT (BLACK ZINC)	
10	4	M12 SERRATED FLANGE NUT (BLACK ZINC)	
11	2	M8 BUTTON HEAD BOLT (BLACK ZINC)	
12	2	M8 SPLIT LOCK WASHER (BLACK ZINC)	
13	2	M8 FLAT WASHER (BLACK ZINC)	
14	2	M8 HEX HEAD BOLT (YELLOW ZINC)	
15	2	M8 SPLIT LOCK WASHER (YELLOW ZINC)	
16	2	M8 FLAT WASHER (YELLOW ZINC)	

ANTI-SEIZE LUBRICANT MUST BE USED ON ALL STAINLESS STEEL FASTENERS TO PREVENT THREAD DAMAGE AND GALLING



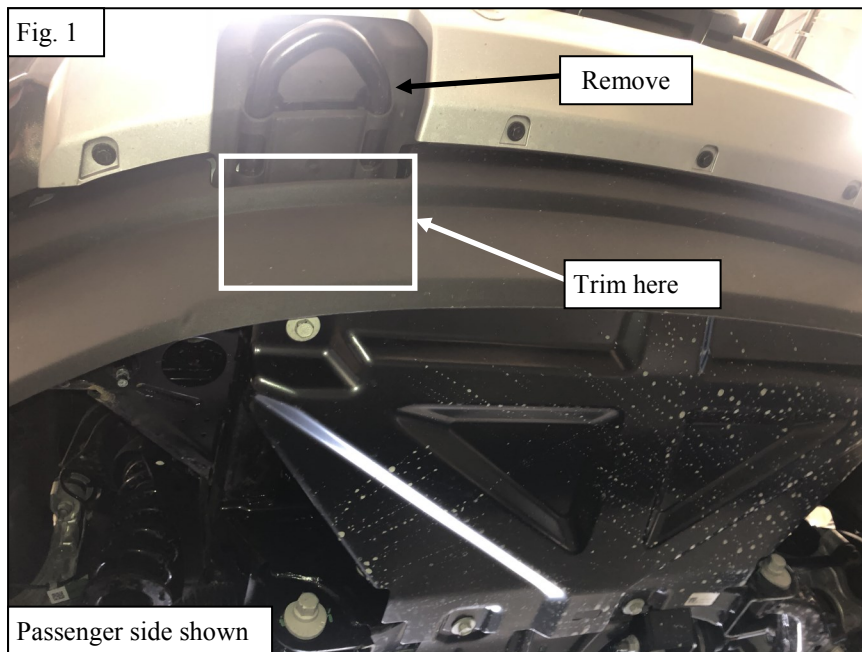
WESTIN Westin Automotive Products, Inc.
320 W. Covina Blvd
San Dimas, Ca. 91773

Thank you for choosing Westin products
for additional installation assistance please call
Customer Service (800) 793-7846

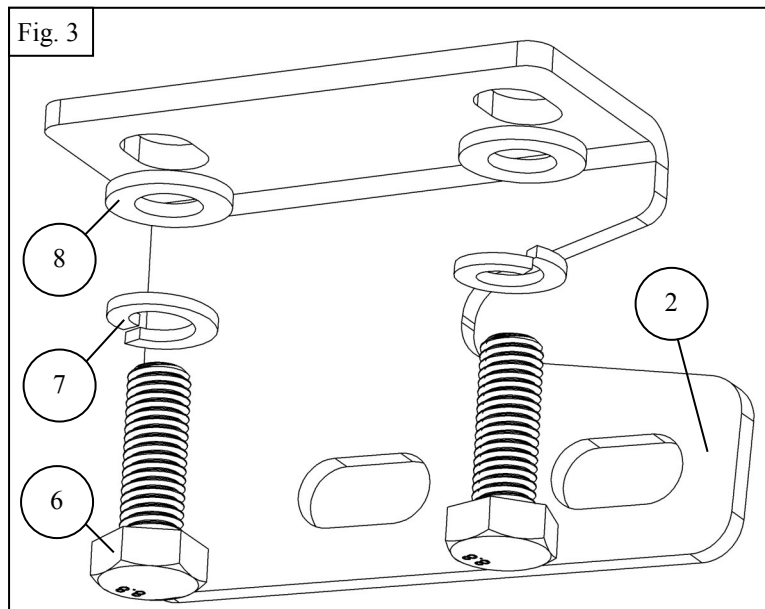
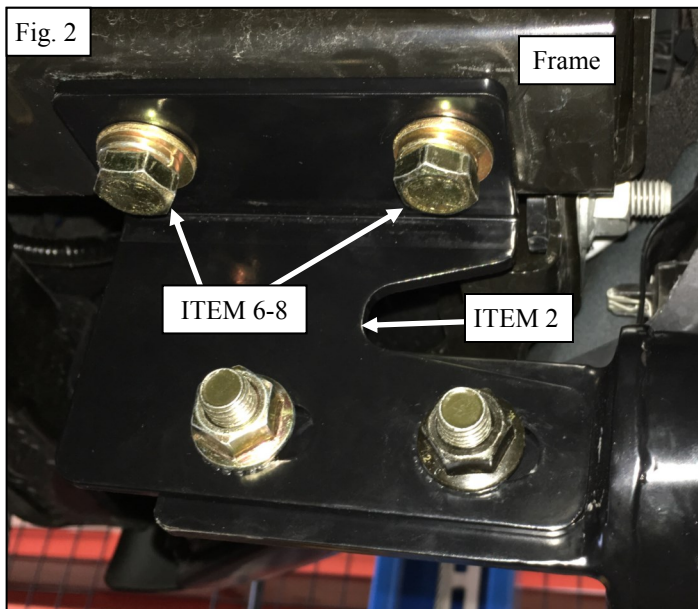
PROCEDURE

1. Remove contents from box, verify if all parts listed are present and free from damage.
Carefully read and understand all instructions before attempting installation.
Failure to identify damage before installation could lead to a rejection of any claim.

2. If equipped, remove the factory tow hooks. See **Figure 1**. *Note: Factory tow hooks cannot be re-used.*



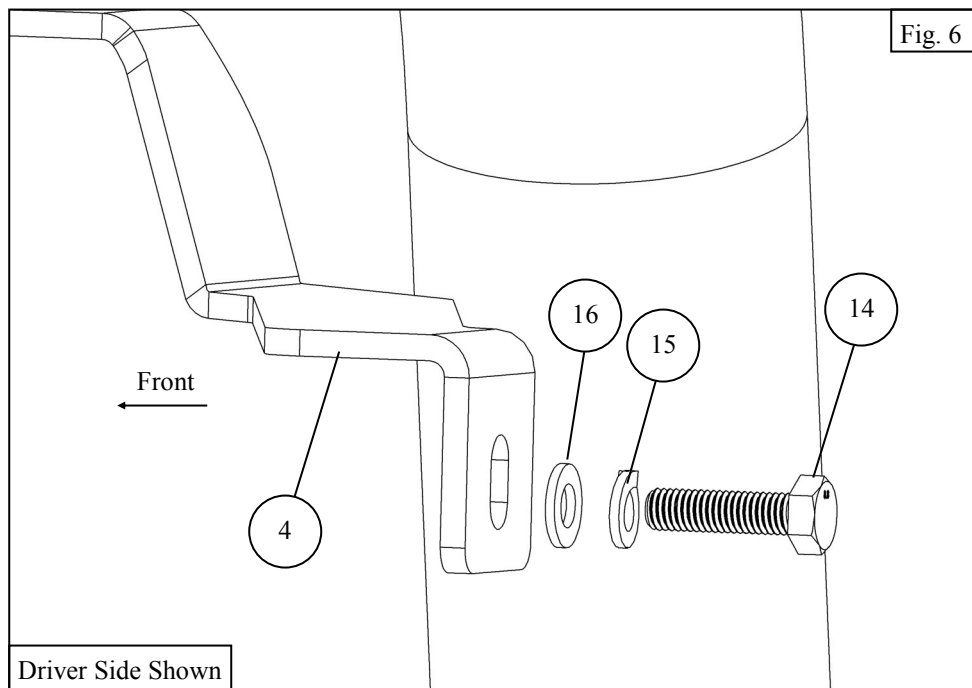
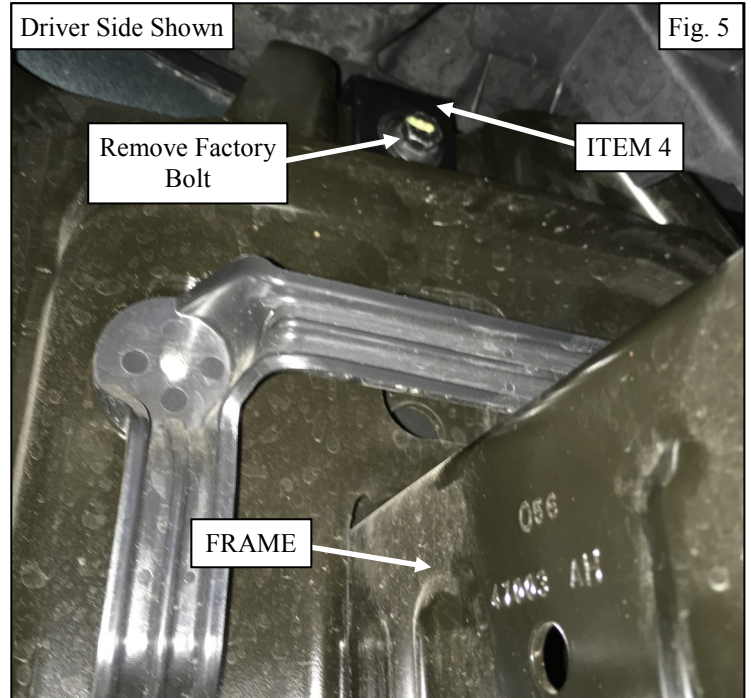
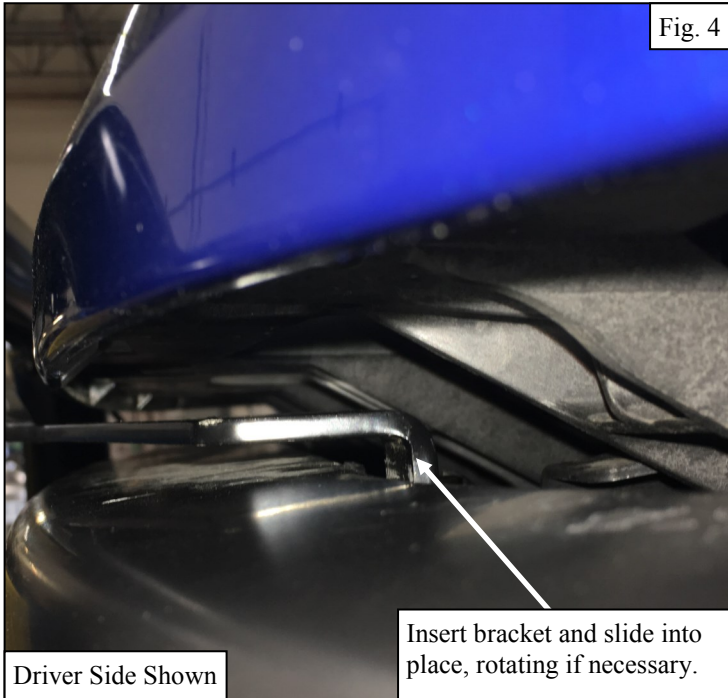
3. Using The supplied M12 hardware (items 6-8), loosely install the mounting brackets (items 2-3) in the tow hook mounting locations. See **Figures 2-3**. Trim front valence as necessary.



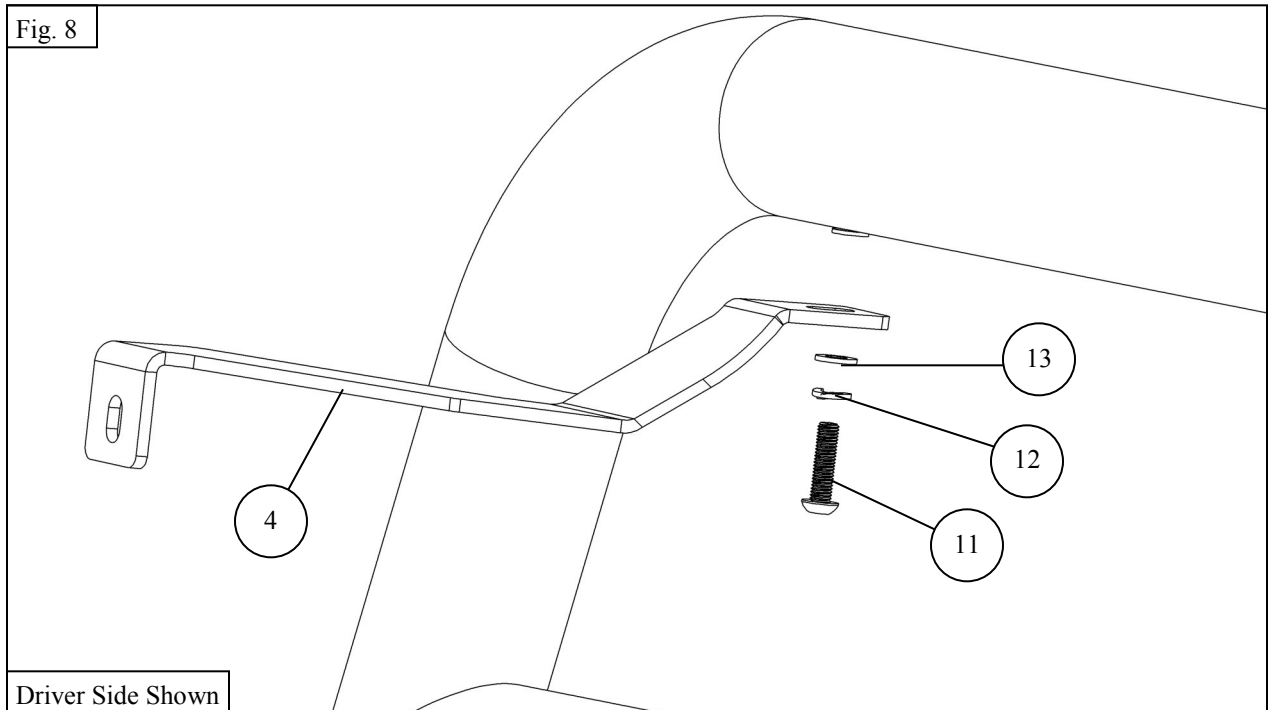
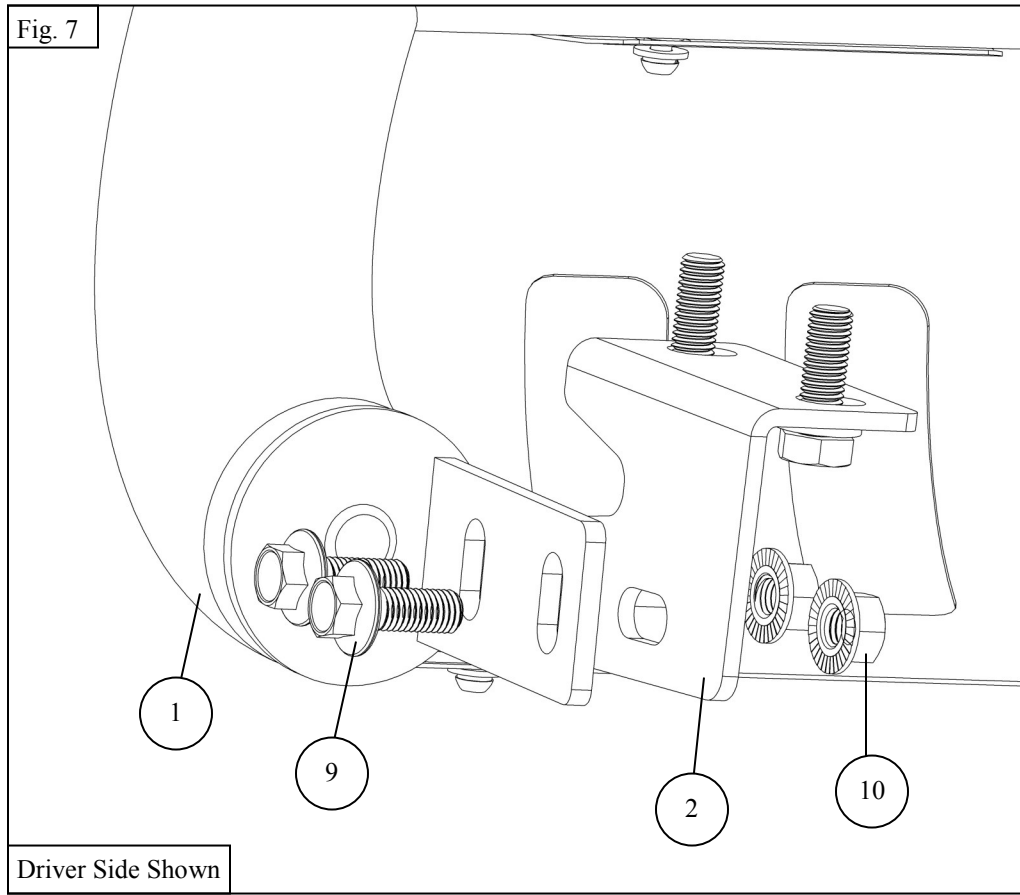
WESTIN

Westin Automotive Products, Inc.
320 W. Covina Blvd
San Dimas, Ca. 91773

- Remove factory bolt and loosely install the driver support strap (item 4) on to the top side of the bumper mount using the supplied M8 hardware (items 14-16). Start by rotating the strap and sliding it in just above the bumper between the driver side bumper mount and the driver side door. Slide the support strap into place and use factory weld nut to install.
Note: The space between the bumper and grille may be too small to slide the bracket through. If this is the case, loosen the hardware holding the bumper on to slide the bracket in. Tighten bumper hardware after support straps have been installed. See Figures 4-6
- Repeat the process on the passenger side.



6. With the brackets now in place, loosely install the bull bar using the supplied M8 and M12 hardware. See **Figures 7-8**.



7. Adjust the bull bar as needed and torque all hardware as specified: M8 to 15-18 ft-lbs, M12 to 45-50 ft-lbs.

INSTALLATION COMPLETED



©2019 WESTIN AUTOMOTIVE PRODUCTS, INC. ALL RIGHTS RESERVED

CARE INSTRUCTIONS

- REGULAR WAXING IS RECOMMENDED. DO NOT USE ANY TYPE OF POLISH OR WAX THAT MAY CONTAIN ABRASIVES.
- STAINLESS STEEL PRODUCTS CAN BE CLEANED WITH MILD SOAP AND WATER. STAINLESS STEEL POLISH SHOULD BE USED TO POLISH SMALL SCRATCHES.
- GLOSS BLACK FINISHES SHOULD BE CLEANED WITH MILD SOAP AND WATER.

WESTIN

Westin Automotive Products, Inc.
320 W. Covina Blvd
San Dimas, Ca. 91773

Thank you for choosing Westin products
for additional installation assistance please call
Customer Service (800) 793-7846
www.westinautomotive.com



WARNING



Failure to follow these instructions could lead to death, personal injury, and / or property damage.

Failure to follow these instructions could lead to death, personal injury, and / or property damage.

FASTENERS:

All Westin supplied fasteners must be utilized and installed in accordance with the installation instructions and apply torque to the specifications as defined. **DOUBLE CHECK ALL FASTENERS BEFORE INITIAL USE, AND PERIODICALLY IN THE FUTURE TO ENSURE PROPER FUNCTION AND SAFETY.**

DRILLING:

Most Westin products do not require drilling for installation. If drilling is defined as required, use caution when drilling a vehicle. **FAILURE TO REVIEW AN AREA TO BE DRILLED MAY RESULT IN PERSONAL INJURY AND/OR INJURY TO OTHERS AS WELL AS VEHICLE DAMAGE.**

EYE PROTECTION:

ALWAYS WEAR SAFETY GLASSES OR GOGGLES DURING THE INSTALLATION PROCESS TO AVOID PERSONAL INJURY.

MAXIMUM TOWING/CARRYING CAPACITY: (if applicable)

The Westin Receiver Hitches will have a visible tow rating label affixed directly on the product. User should never exceed the vehicle manufacturers maximum tow and weight rating regardless of the capacity of the hitch. **FAILURE TO FOLLOW THESE GUIDELINES WILL VOID THE WESTIN WARRANTY AND MAY RESULT IN PERSONAL INJURY AND/OR INJURY TO OTHERS AS WELL AS VEHICLE DAMAGE.**

FOR CALIFORNIA RESIDENTS ONLY-PROP 65 WARNING:

Some products may contain chemicals such as DEHP, which can cause cancer, birth defects or other reproductive harm. For more info go to www.p65warnings.ca.gov



Westin Automotive Products, Inc.
320 W. Covina Blvd
San Dimas, Ca. 91773