

INSTALLATION INSTRUCTIONS

ULTIMATE BULL BAR/ ULTIMATE LED BULL BAR



APPLICATION:

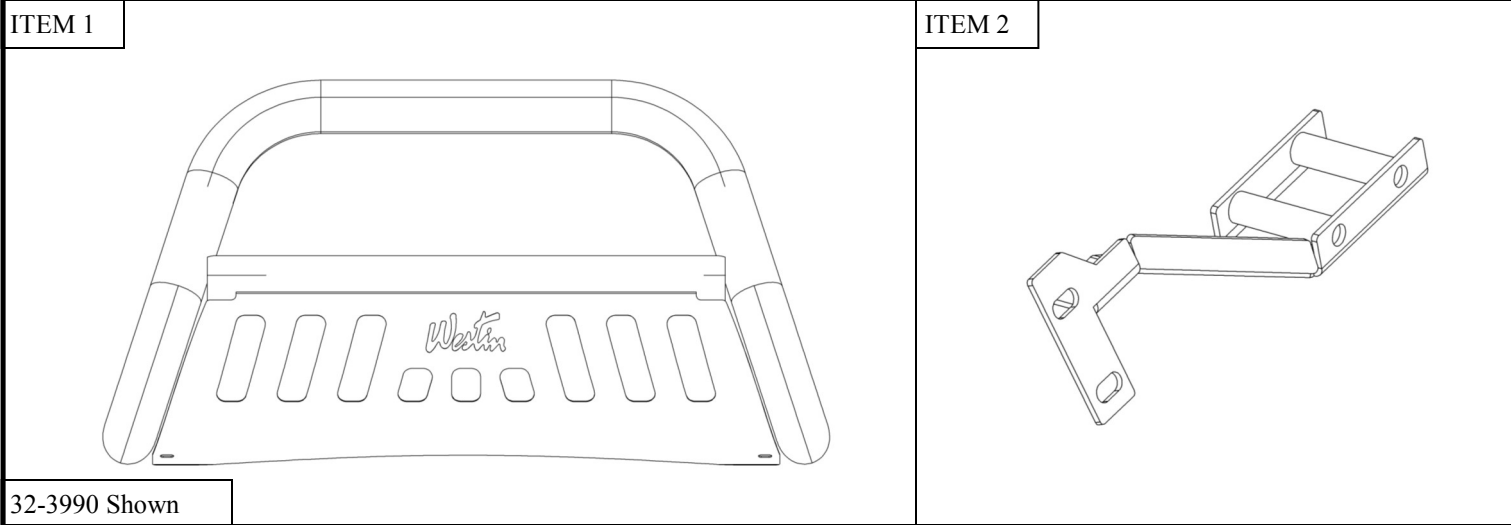
2020 CHEVROLET SILVERADO 2500/3500

PART NUMBER:

32-3990, 32-3995, 32-3995L

CONTENT			
ITEM	QUANTITY	DESCRIPTION	TOOLS NEEDED
1	1	ULTIMATE BULL BAR	19MM SOCKET
2	1	DRIVER MOUNTING BRACKET	RATCHET
3	1	PASSENGER MOUNTING BRACKET	TORQUE WRENCH
4	4	M12 HEX HEAD BOLT	19MM WRENCH
5	8	M12 FLAT WASHER	PRY BAR
6	4	M12 SPLIT LOCK WASHER	ALLEN WRENCH
7	4	M12 HEX NUT	
8	4	M10 BUTTON HEAD BOLT	
9	4	M10 FLAT WASHER	
10	4	M10 SERRATED FLANGE NUT	

ANTI-SEIZE LUBRICANT MUST BE USED ON ALL STAINLESS STEEL FASTENERS TO PREVENT THREAD DAMAGE AND GALLING

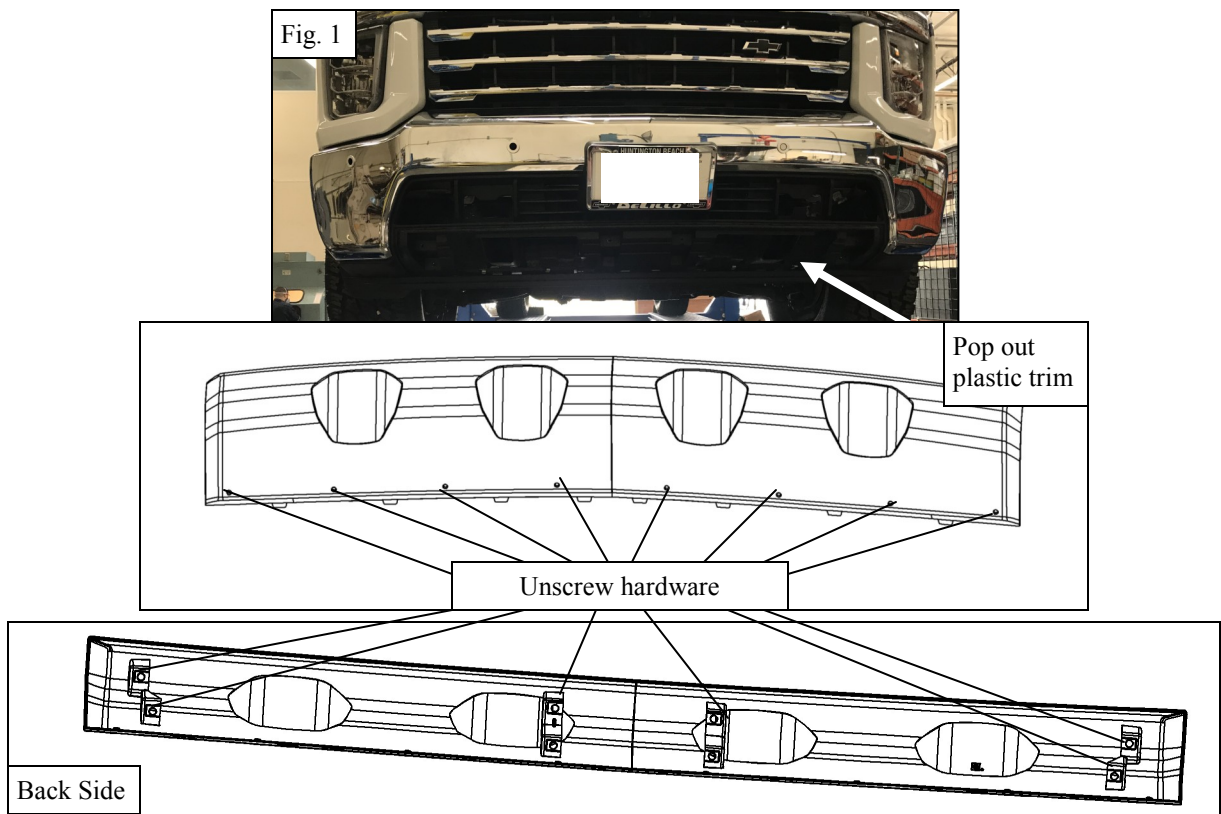


NOTE: THIS BULL BAR WILL PROHIBIT THE FUNCTION OF FRONT PARKING SENSORS ON YOUR VEHICLE IF EQUIPPED.

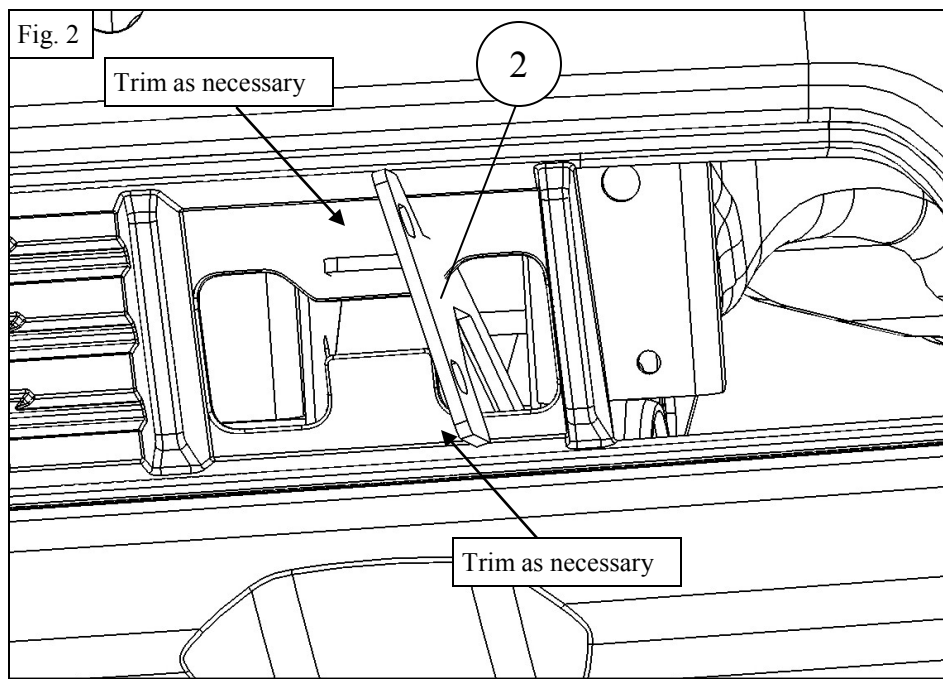
PROCEDURE

1. Remove contents from box, verify if all parts listed are present and free from damage.
Carefully read and understand all instructions before attempting installation.
Failure to identify damage before installation could lead to a rejection of any claim.

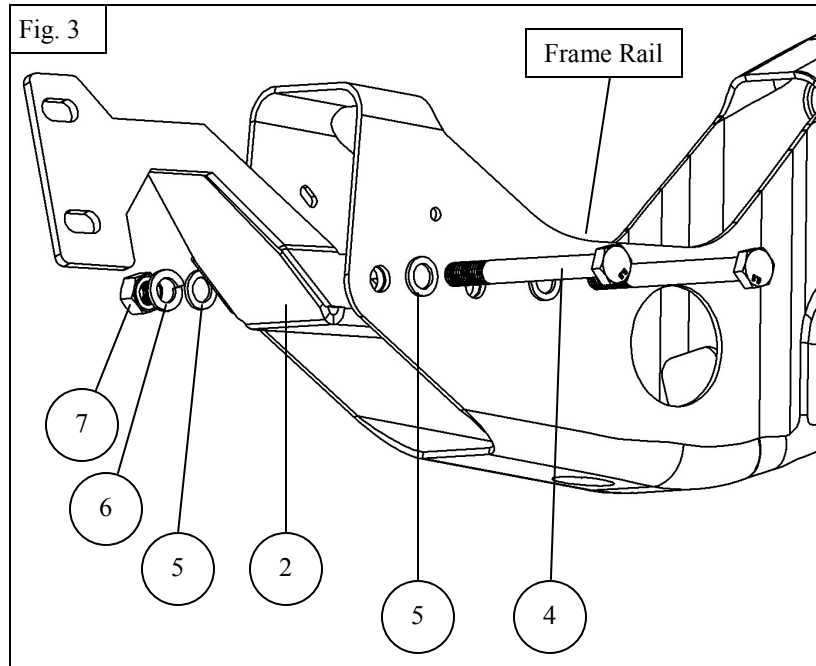
2. Start by removing the front plastic cover on the front bumper. Remove the screws holding it on. **See Figure 1.**



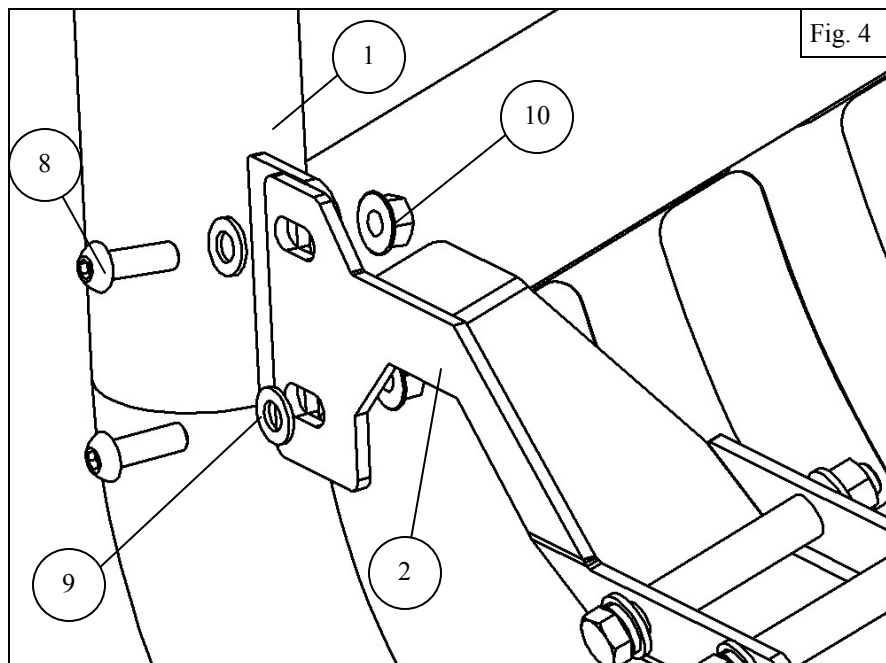
3. If equipped, remove the tow hooks from the vehicle. **Note: Factory Tow hooks will not be re-used.**
4. **Note: Trimming of tow pocket is required.** Trim the tow hook pockets as necessary for mounting bracket clearance. **See Figure 2.**



5. Locate the driver mounting bracket for the bull bar. Using the supplied M12 hardware, loosely install the mounting bracket on to the frame. Slide the mounting bracket (2) in between the frame. **See Figure 3.** *Note: The frame rails on these vehicles can vary in tolerance. If the mounting bracket does not fit inside the frame rail, use a pry bar to widen out the opening as necessary.*
6. Repeat on the passenger side.
7. Re-install plastic cover on bumper that was removed in step 2.



8. Using supplied M10 hardware, loosely assemble the bull bar on to the mounting brackets. **See Figure 4.**
9. Adjust the bull bar as necessary and torque all hardware to the following: M10 to 35-40 ft-lbs; M12 to 50-55 ft-lbs. *Note: If you are installing the optional light bar, follow manufacturer's instructions. A wiring diagram is provided on the next page.*



WIRING INSTRUCTIONS:

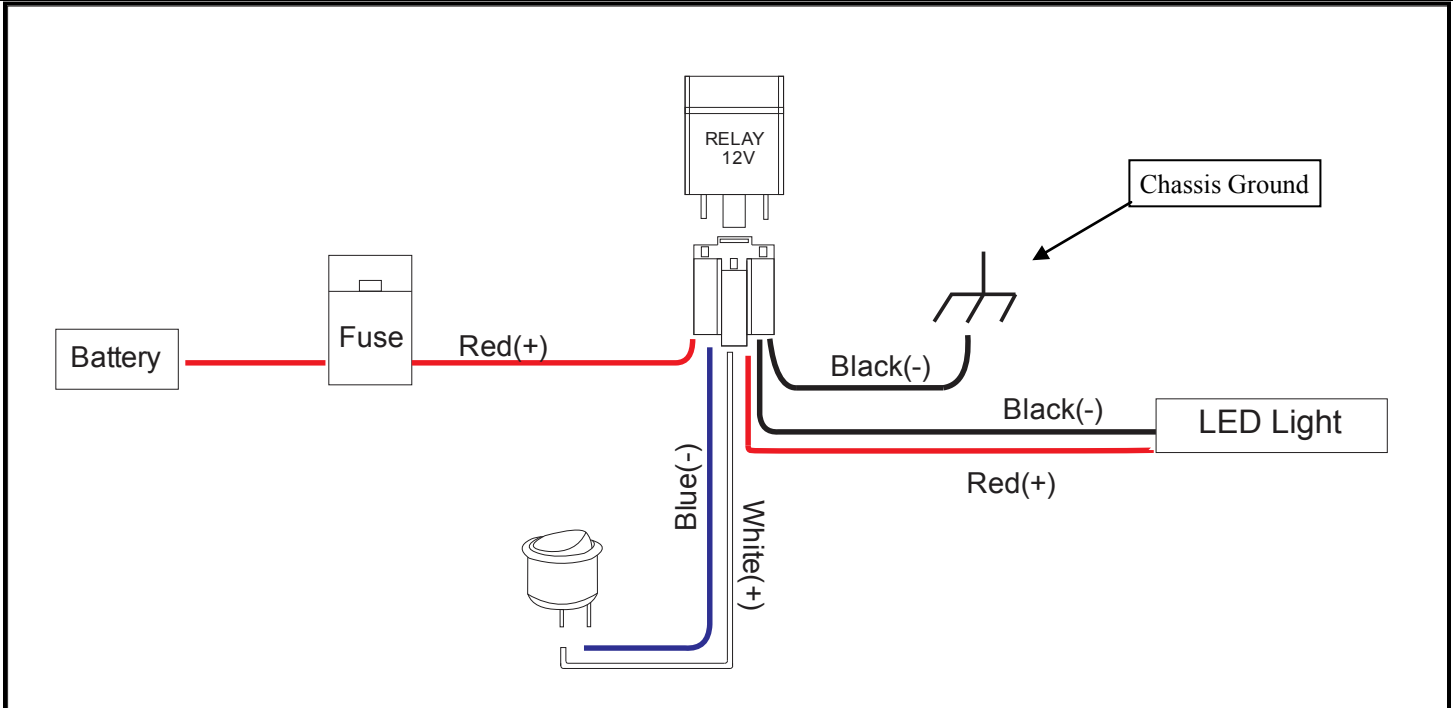
CAUTION:

1. Disconnect ground connection from battery (-) to avoid accidental short circuits before attempting to connect electrical wires.
2. When running wires, avoid areas of excessive heat, vibration, pinch or rotation when securing harness to vehicle.
3. Always use a fused (+) positive supply source.
4. This light becomes hot under continuous use. Do not remove or touch the casting for at least 30 minutes after the lamp has been turned off.

WESTIN recommends using a professional for this installation.

Refer to the Figure below.

1. Locate the wiring harness and mount the switch in a convenient location where it is easily accessible from the drivers seat. **Note:** *The switch will need to be removed from the wiring harness so that the rest of the harness can be routed from the engine bay to the cabin.*
2. Route the wiring harness wire, specifically the fuse and relay, from the positive battery terminal along the firewalls existing wire routes. **Note:** *Tape as necessary to correct slack.*
3. Secure the relay by either drilling or using a pre-existing bolt along the chassis that is not connected to any other wire.
4. Run the switch harness through the firewall preferably through the pre-existing rubber plug that is used to run the OEM wiring harness from the engine bay to fuse box. **Note:** *Reconnect the switch to the wiring harness.*
5. Place the LED plug wire along the fender chassis where it will not get pinched and away from any moving parts (fan, pulleys etc.).
6. Run the attached wire from the LED Light Bar as previously mentioned away from any moving parts.
7. Connect both ends of wiring connectors from LED light bar and wiring harness.
8. Re-connect battery terminals, attach the red (+) wire to battery positive, and the black (-) wire to ground. **Note:** *Add dielectric grease (not supplied).*
9. Turn on the switch to make sure if the light works. If not, please check carefully if the wiring installation is correct.



Westin Automotive Products, Inc.
320 W. Covina Blvd
San Dimas, Ca. 91773

Thank you for choosing Westin products
for additional installation assistance please call
Customer Service (800) 793-7846

www.westinautomotive.com

INSTALLATION COMPLETED



CARE INSTRUCTIONS

- REGULAR WAXING IS RECOMMENDED. DO NOT USE ANY TYPE OF POLISH OR WAX THAT MAY CONTAIN ABRASIVES.
- STAINLESS STEEL PRODUCTS CAN BE CLEANED WITH MILD SOAP AND WATER. STAINLESS STEEL POLISH SHOULD BE USED TO POLISH SMALL SCRATCHES.
- GLOSS BLACK FINISHES SHOULD BE CLEANED WITH MILD SOAP AND WATER.

WESTIN Westin Automotive Products, Inc.
320 W. Covina Blvd
San Dimas, Ca. 91773

Thank you for choosing Westin products
for additional installation assistance please call
Customer Service (800) 793-7846
www.westinautomotive.com
DATE: 05/29/2020



WARNING



Failure to follow these instructions could lead to death, personal injury, and / or property damage.

Failure to follow these instructions could lead to death, personal injury, and / or property damage.

FASTENERS:

All Westin supplied fasteners must be utilized and installed in accordance with the installation instructions and apply torque to the specifications as defined. **DOUBLE CHECK ALL FASTENERS BEFORE INITIAL USE, AND PERIODICALLY IN THE FUTURE TO ENSURE PROPER FUNCTION AND SAFETY.**

DRILLING:

Most Westin products do not require drilling for installation. If drilling is defined as required, use caution when drilling a vehicle. **FAILURE TO REVIEW AN AREA TO BE DRILLED MAY RESULT IN PERSONAL INJURY AND/OR INJURY TO OTHERS AS WELL AS VEHICLE DAMAGE.**

EYE PROTECTION:

ALWAYS WEAR SAFETY GLASSES OR GOGGLES DURING THE INSTALLATION PROCESS TO AVOID PERSONAL INJURY.

MAXIMUM TOWING/CARRYING CAPACITY: (if applicable)

The Westin Receiver Hitches will have a visible tow rating label affixed directly on the product. User should never exceed the vehicle manufacturers maximum tow and weight rating regardless of the capacity of the hitch. **FAILURE TO FOLLOW THESE GUIDELINES WILL VOID THE WESTIN WARRANTY AND MAY RESULT IN PERSONAL INJURY AND/OR INJURY TO OTHERS AS WELL AS VEHICLE DAMAGE.**

FOR CALIFORNIA RESIDENTS ONLY-PROP 65 WARNING:

Some products may contain chemicals such as DEHP, which can cause cancer, birth defects or other reproductive harm. For more info go to www.p65warnings.ca.gov



Westin Automotive Products, Inc.
320 W. Covina Blvd
San Dimas, Ca. 91773