

# INSTALLATION INSTRUCTIONS

## MAX WINCH TRAY

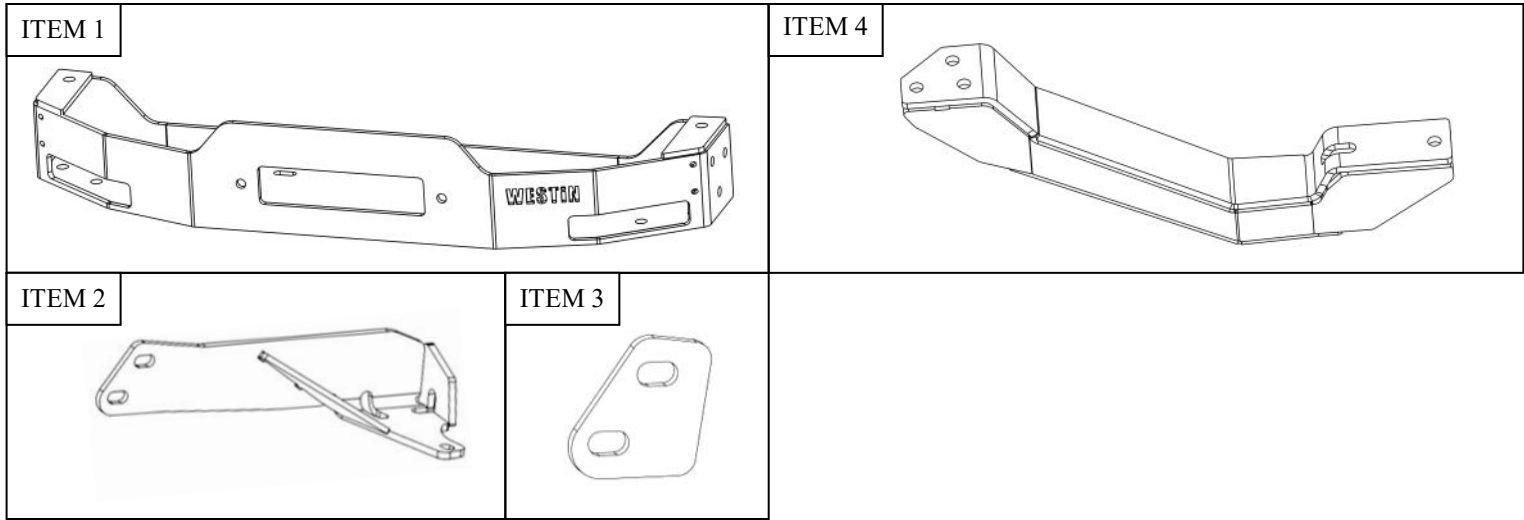


APPLICATION:  
Nissan Frontier 2022  
PART NUMBER:  
46-24075

Kit Part Number: 57-924075

CONTENT			
ITEM	QUANTITY	DESCRIPTION	TOOLS NEEDED
1	1	WINCH TRAY	19MM SOCKET
2,3	2	MOUNTING BRACKET, DRIVER (2) AND PASSENGER (3)	17MM SOCKET
4,5	2	SUPPORT BRACKET, DRIVER (4) AND PASSENGER (5)	RATCHET
6	2	SPACER PLATE	TORQUE WRENCH
7	4	M12-1.25 HEX HEAD BOLT (YELLOW ZINC)	ALLEN WRENCH
8	8	M12 SPLIT LOCK WASHER (YELLOW ZINC)	
9	8	M12 FLAT WASHER (YELLOW ZINC)	
10	2	M12-1.75 HEX HEAD BOLT (YELLOW ZINC)	
11	2	M10 HEX HEAD BOLT (YELLOW ZINC)	
12	2	M10 SPLIT LOCK WASHER (YELLOW ZINC)	
13	2	M10 FLAT WASHER (YELLOW ZINC)	
14	2	M10 SERRATED FLANGE HEX NUT (YELLOW ZINC)	
15	2	M12 HEX NUT (YELLOW ZINC)	
16	2	M12 BOLT PLATE	
17	2	M12 PLASTIC RETAINER SQUARE	
18	6	M12 HEX HEAD BOLT (BLACK ZINC)	
19	6	M12 FLAT WASHER (BLACK ZINC)	
20	6	M12 SPLIT LOCK WASHER (BLACK ZINC)	
21	6	M12 HEX NUT (BLACK ZINC)	
22	4	M12 BUTTON HEAD BOLT (BLACK ZINC)	
23	4	M12 BELLEVILLE WASHER (BLACK ZINC)	
24	4	M12 SERRATED FLANGE NUT (BLACK ZINC)	

**ANTI-SEIZE LUBRICANT MUST BE USED ON ALL STAINLESS STEEL FASTENERS TO PREVENT THREAD DAMAGE AND GALLING**



**PROCEDURE**

1. Remove contents from box, verify if all parts listed are present and free from damage.  
Carefully read and understand all instructions before attempting installation.  
**Failure to identify damage before installation could lead to a rejection of any claim.**

2. Starting on the bottom of the vehicle's front bumper, remove the plastic clips and OEM hardware. See **Figure 1 & 2** for reference.
3. Locate and remove the two plastic retaining clips in the inner wheel well of the vehicle as shown in **Figure 3**.
4. Start to carefully pry on the retaining clips shown in **Figure 4 & 5** along the top of the fascia trim of the vehicle in order to remove the fascia trim. **Note:** *The plastic retainers need to be removed carefully in order to be able to reinstall the fascia trim.*

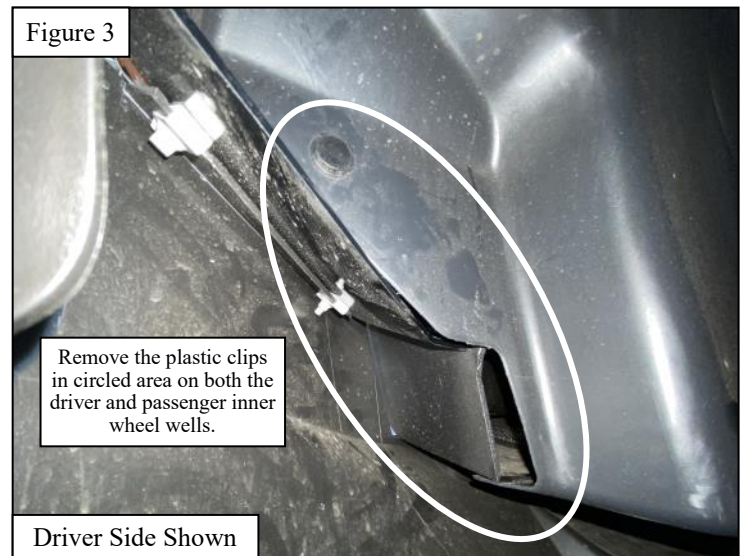
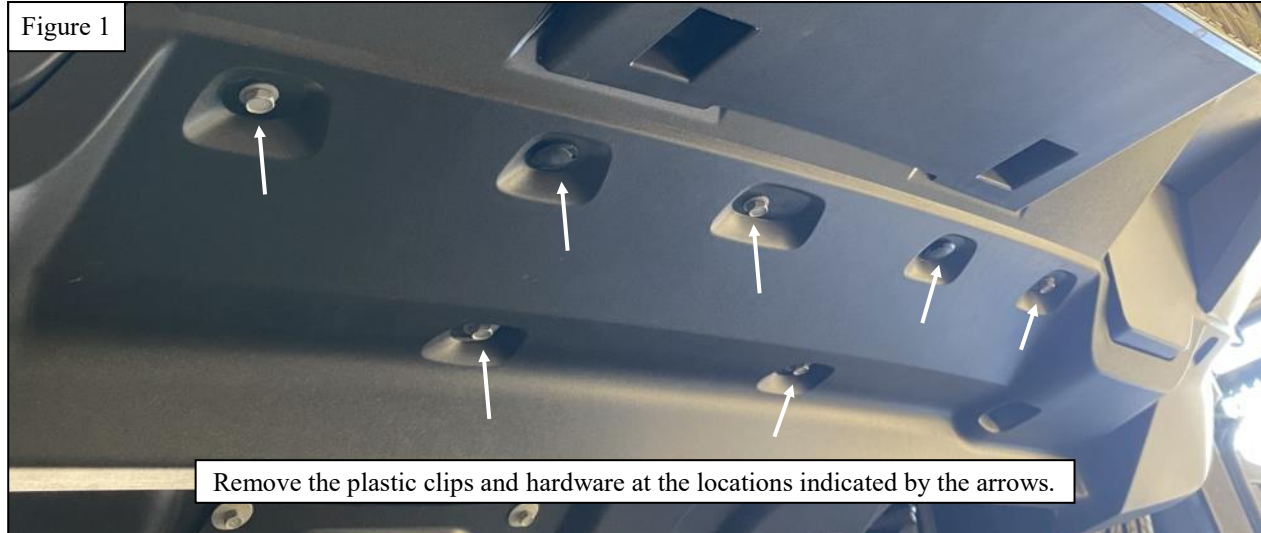
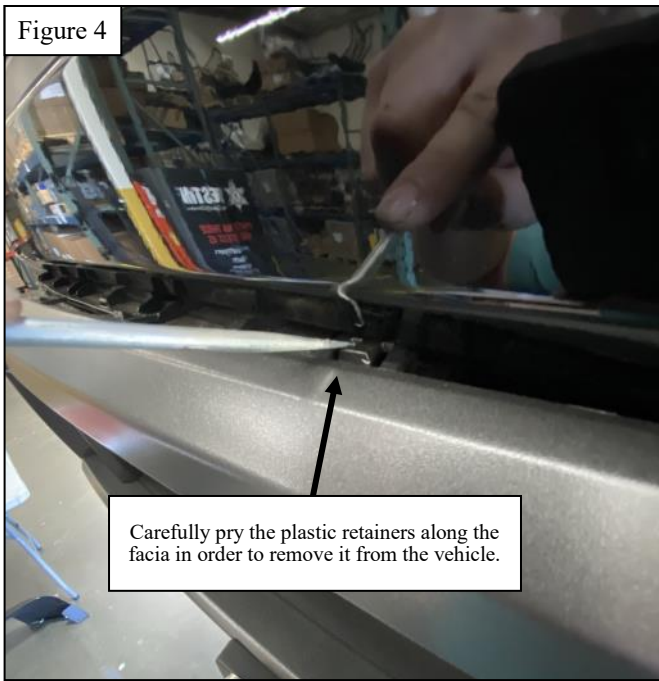


Figure 4



Carefully pry the plastic retainers along the fascia in order to remove it from the vehicle.

Figure 5



Carefully pry the plastic retainers all along the dotted line as previously noted.

- Using the supplied M12-1.25 bolts (item 7), M12 split lock washers (item 8), and M12 Flat Washers (item 9), loosely attach the driver side mounting bracket (item 2) to the frame tow hook mounting locations on the under side of the frame.  
*Note: Ensure that the fine thread M12 hardware is used.*

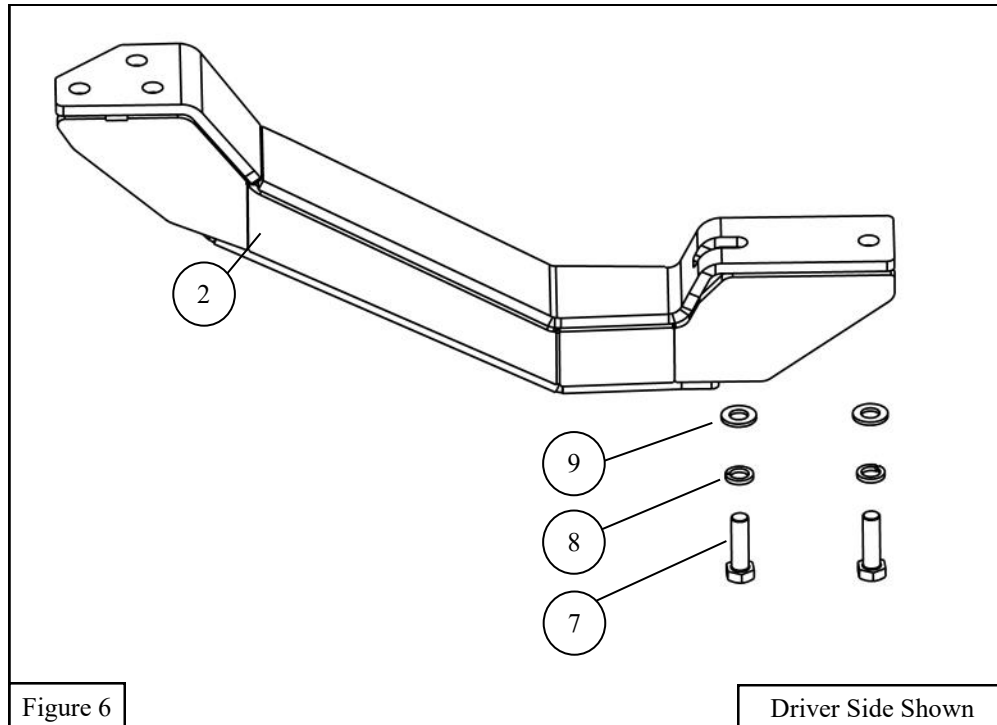
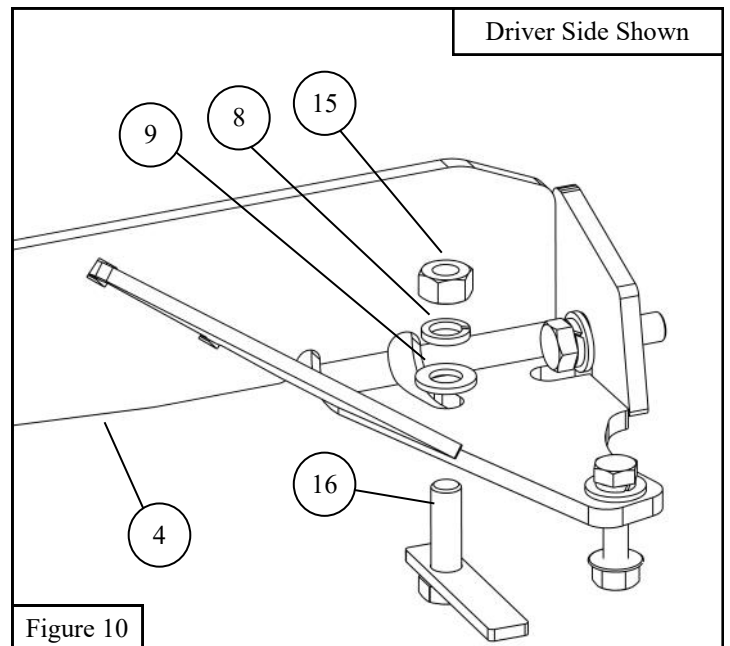
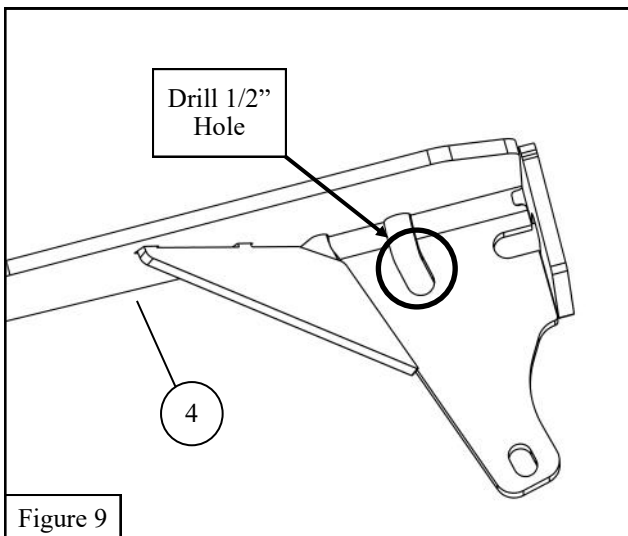
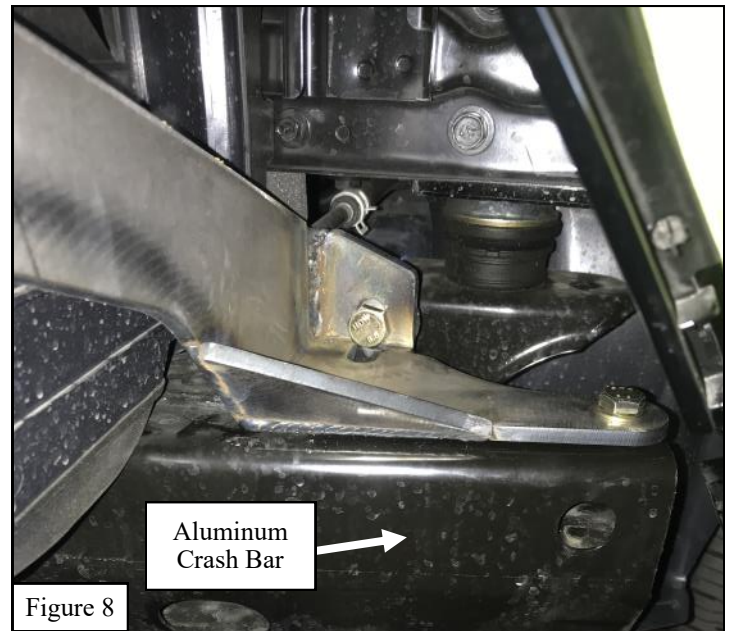
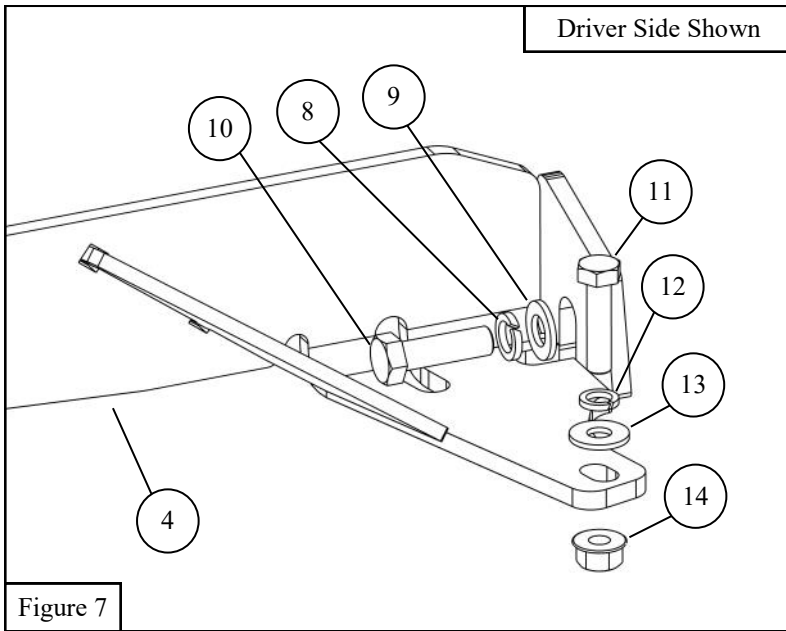


Figure 6

Driver Side Shown



6. Attach the driver side support bracket (item 4). See **Figures 7-8**.  
*Note: Ensure that the course thread M12 hardware is used.*
7. Using the support bracket as a template, mark a location to drill a 1/2" hole in the aluminum crash bar. See **Figure 9**.
8. Remove the support bracket.
9. Drill a 1/2" hole in the location marked in **Step 7**.
10. Loosely attach the support bracket using the same hardware from **Step 6**.
11. Use a M12 fish wire to pull a M12 bolt plate through the aluminum crash bar and use a M12 plastic retainer square to hold it in place.
12. Loosely install the remaining M12 hardware (items 9,8, and 15). See **Figure 10**.
13. Repeat **Steps 5-12** on passenger side of the vehicle to install the passenger side mounting bracket (item 3) and the passenger side support bracket (item 5).



14. Adjust the support brackets so that distance between the inner surfaces is approximately 34.3 inches. See **Figure 11**.
15. Tighten and torque the support bracket M10 hardware to 25-28 ft-lbs, and the M12 hardware to 50-55 ft-lbs.
16. Reinstall the front bumper fascia using the OEM hardware. Trim fascia as needed.
17. Place the winch tray on top of the mount brackets and loosely attach using the M12 hardware. See **Figures 12-13**.
18. Install winch at this time per manufacturer's installation instructions.

*Note: It may be very difficult to install the winch after the Grille Guard has been installed.*

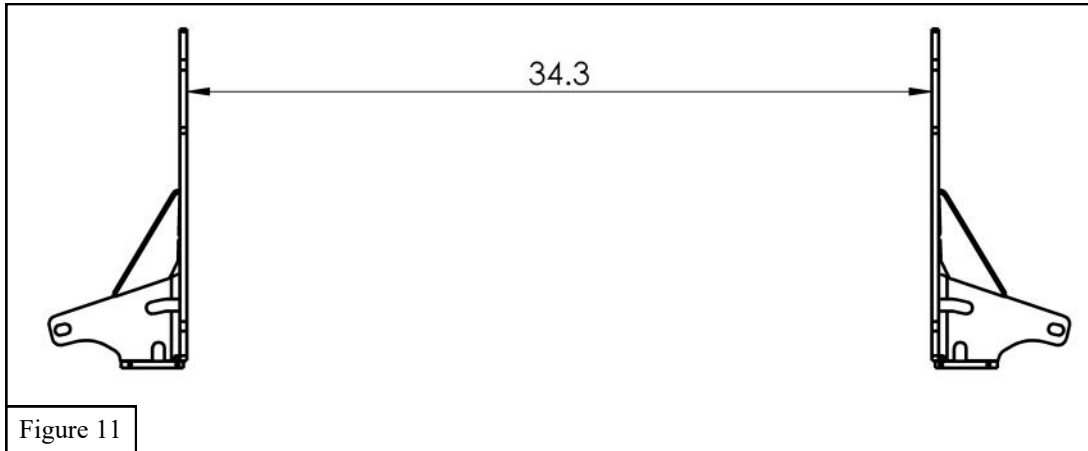


Figure 11

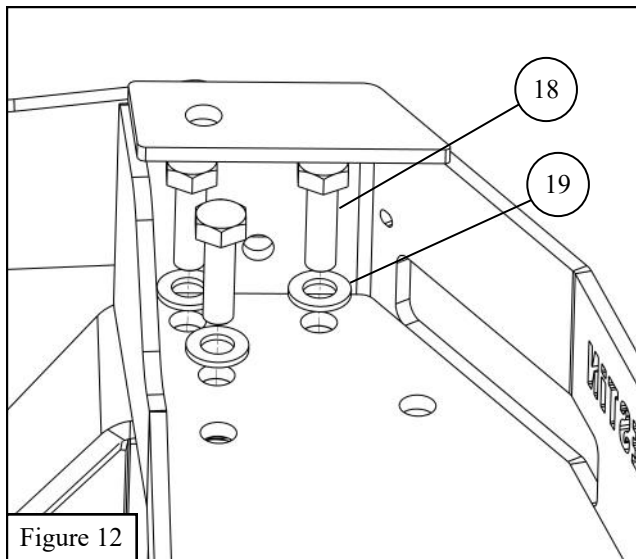


Figure 12

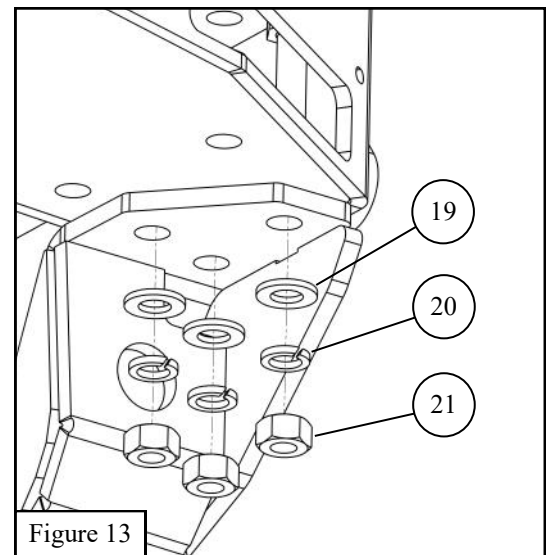


Figure 13

For Installations **without a Grille Guard**: Continue Using these Instructions

For Installations **with a Grille Guard**: Stop Here and Use the Winch Mount Modular Grille Guard Instructions (P# 75-57924075A)

19. Loosely attach the support brackets to the winch tray placing a spacer plate (item 6) between each support bracket and the winch tray. See **Figure 14**.
20. Adjust the winch tray as needed.
21. Tighten and torque the hardware as specified: M10 hardware to 35-38 ft.-lbs. and M12 hardware to 58-60 ft.-lbs.

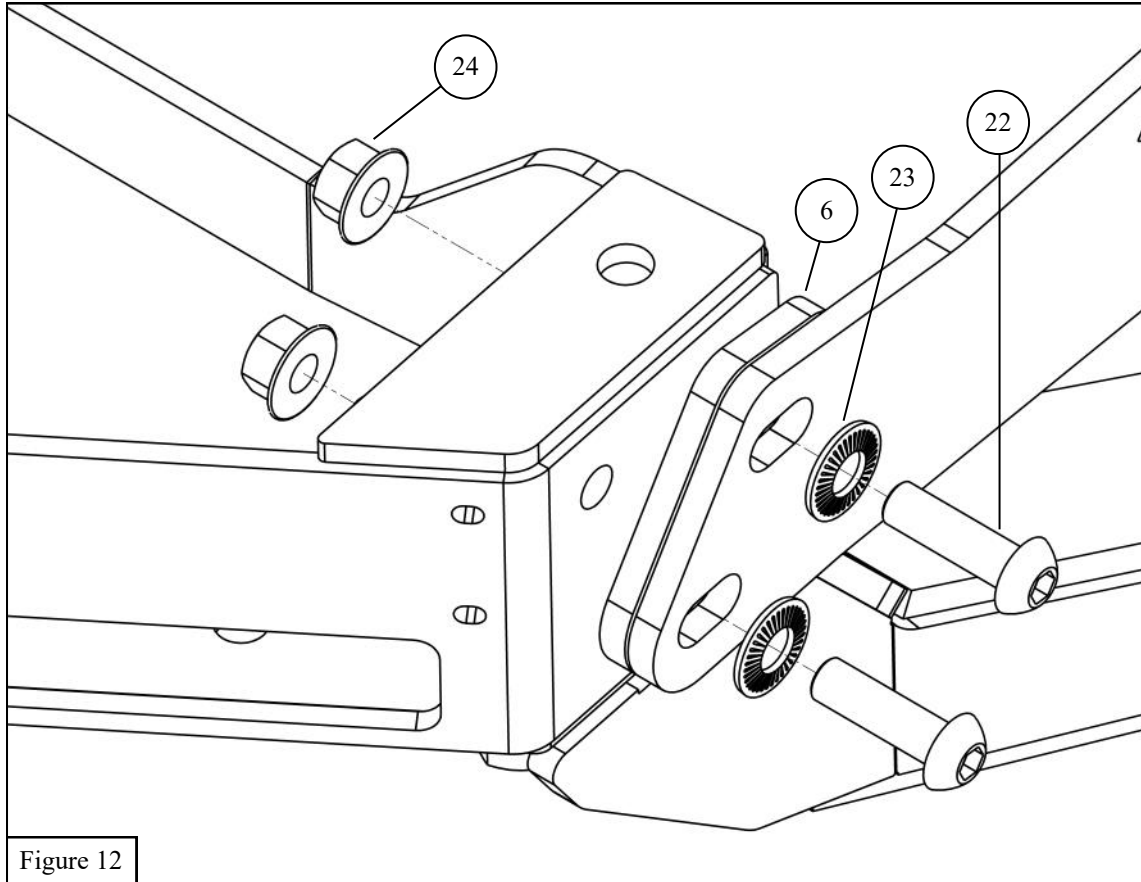


Figure 12





**WESTIN**

Westin Automotive Products, Inc.  
320 W. Covina Blvd  
San Dimas, Ca. 91773

P.N.: 75-4624075-RevA

ECO #: W21-0053

8

Thank you for choosing Westin products  
for additional installation assistance please call  
Customer Service (800) 793-7846  
[www.westinautomotive.com](http://www.westinautomotive.com)  
7/18/2022





## WARNING



Failure to follow these instructions could lead to death, personal injury, and / or property damage.

Failure to follow these instructions could lead to death, personal injury, and / or property damage.

### FASTENERS:

All Westin supplied fasteners must be utilized and installed in accordance with the installation instructions and apply torque to the specifications as defined. **DOUBLE CHECK ALL FASTENERS BEFORE INITIAL USE, AND PERIODICALLY IN THE FUTURE TO ENSURE PROPER FUNCTION AND SAFETY.**

### DRILLING:

Most Westin products do not require drilling for installation. If drilling is defined as required, use caution when drilling a vehicle. **FAILURE TO REVIEW AN AREA TO BE DRILLED MAY RESULT IN PERSONAL INJURY AND/OR INJURY TO OTHERS AS WELL AS VEHICLE DAMAGE.**

### EYE PROTECTION:

**ALWAYS WEAR SAFETY GLASSES OR GOGGLES DURING THE INSTALLATION PROCESS TO AVOID PERSONAL INJURY.**

### MAXIMUM TOWING/CARRYING CAPACITY: (if applicable)

The Westin Receiver Hitches will have a visible tow rating label affixed directly on the product. User should never exceed the vehicle manufacturers maximum tow and weight rating regardless of the capacity of the hitch. **FAILURE TO FOLLOW THESE GUIDELINES WILL VOID THE WESTIN WARRANTY AND MAY RESULT IN PERSONAL INJURY AND/OR INJURY TO OTHERS AS WELL AS VEHICLE DAMAGE.**

### FOR CALIFORNIA RESIDENTS ONLY-PROP 65 WARNING:

Some products may contain chemicals such as DEHP, which can cause cancer, birth defects or other reproductive harm. For more info go to [www.p65warnings.ca.gov](http://www.p65warnings.ca.gov)



Westin Automotive Products, Inc.  
320 W. Covina Blvd  
San Dimas, Ca. 91773