

INSTALLATION INSTRUCTIONS

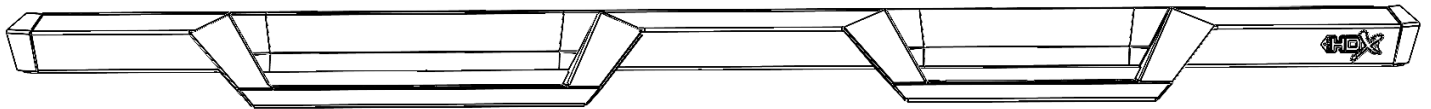
HDX DROP STEPS



APPLICATION:
Nissan Frontier Crew Cab 2022
PART NUMBER:
56-14215, 56-142152

CONTENT			
ITEM	QUANTITY	DESCRIPTION	TOOLS NEEDED
1	2	HDX DROP STEPS	13MM SOCKET
2	2	FRONT MOUNTING BRACKET	13MM WRENCH
3	2	CENTER MOUNTING BRACKET	RATCHET
4	1	REAR DRIVER MOUNTING BRACKET	TORQUE WRENCH
5	1	REAR PASSENGER MOUNTING BRACKET	
6	8	M8 HEX NUT	
7	20	M8 FLAT WASHER	
8	20	M8 SPLIT LOCK WASHER	
9	12	M8 HEX HEAD CAP SCREW	
10	4	M8 SERRATED FLANGE NUT	

ANTI-SEIZE LUBRICANT MUST BE USED ON ALL STAINLESS STEEL FASTENERS TO PREVENT THREAD DAMAGE AND GALLING



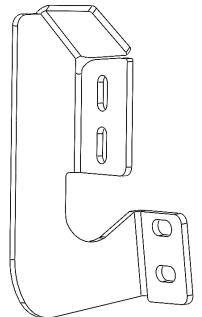
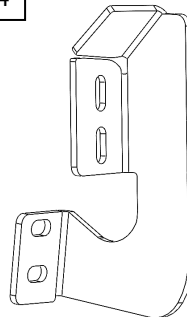
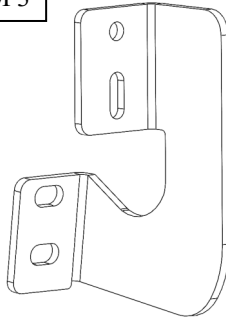
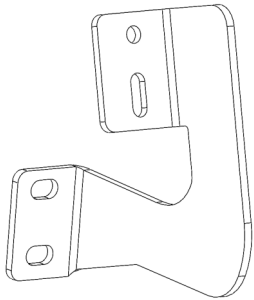
ITEM 1

ITEM 2

ITEM 3

ITEM 4

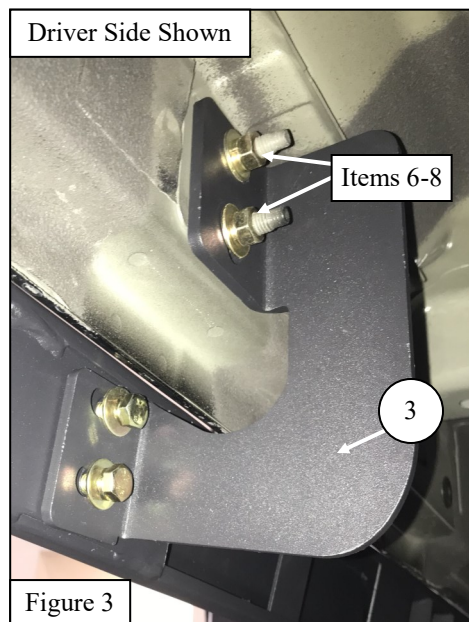
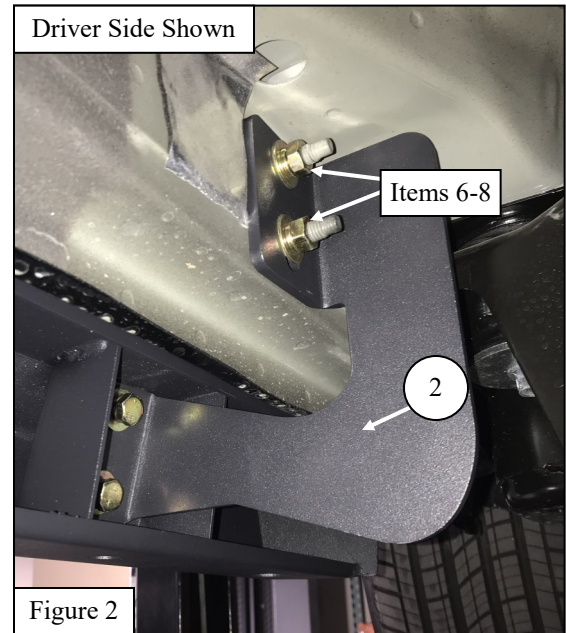
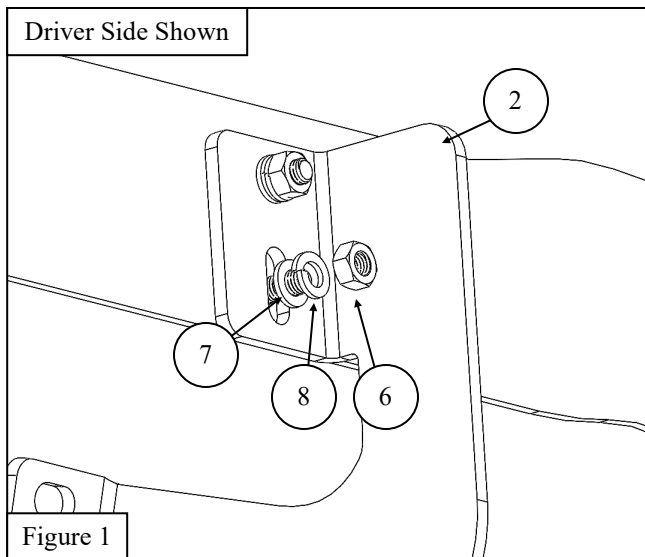
ITEM 5



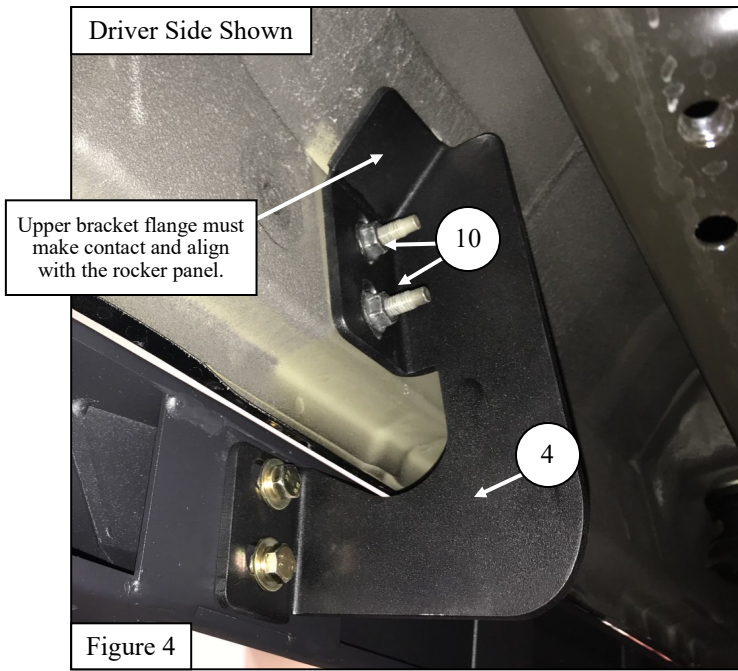
PROCEDURE

1. Remove contents from box, verify if all parts listed are present and free from damage.
Carefully read and understand all instructions before attempting installation.
Failure to identify damage before installation could lead to a rejection of any claim.

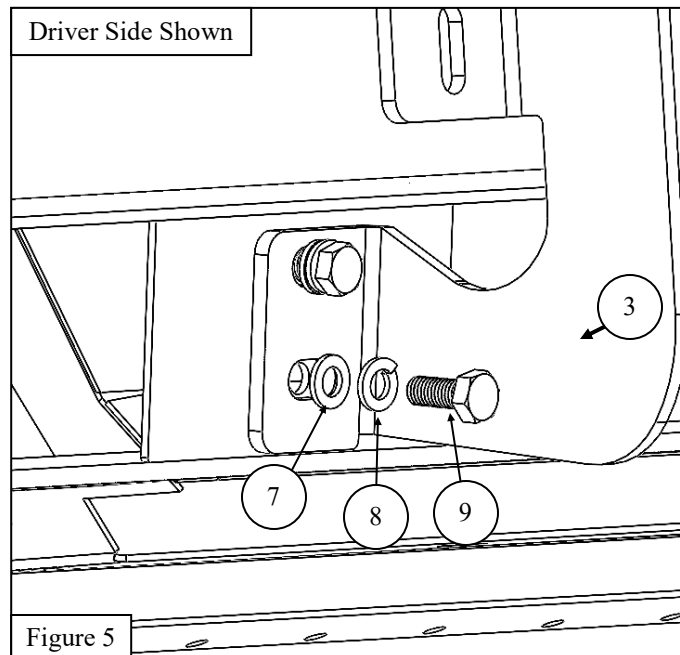
2. Locate the mount locations on the rocker panel of the vehicle.
3. Locate (1) Front Mounting Bracket (Item 2) and loosely secure it to the rocker panel using the provided M8 hardware (Items 6 through 8). See **Figure 1 and 2** for reference.
4. Repeat **Step 3** for the Center Mounting Bracket (Item 3). See **Figure 3** for reference.

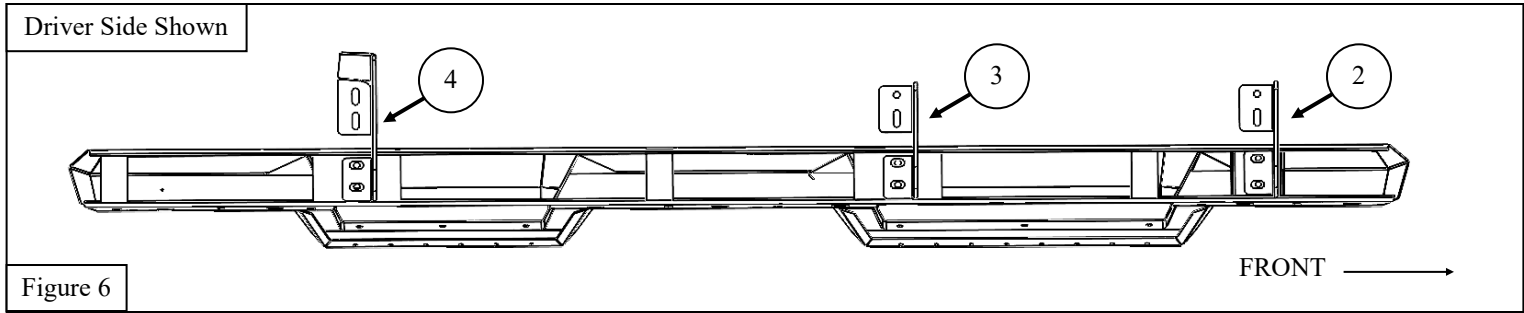


5. Locate the Rear Driver Mounting Bracket (Item 4) and loosely secure it to the rocker panel using the provided M8 Serrated Flange Nut (Item 10). See **Figure 4** for reference. **Note:** When securing the rear mounting brackets, make sure the upper flange makes contact with the rocker panel in order to provide adequate support.



6. Locate the driver HDX Drop Step (Item 1) and secure it to the mounting brackets using the supplied M8 hardware (Items 7 through 9), See **Figure 5 and 6** for reference.
7. Repeat the previous steps for the Passenger Side.
8. Align and adjust the HDX Drop Steps and mounting brackets as needed. Tighten and torque the hardware as specified: M8 hardware to 15-18 ft-lbs.





INSTALLATION COMPLETE



CARE INSTRUCTIONS

- REGULAR WAXING IS RECOMMENDED. DO NOT USE ANY TYPE OF POLISH OR WAX THAT MAY CONTAIN ABRASIVES.
- STAINLESS STEEL PRODUCTS CAN BE CLEANED WITH MILD SOAP AND WATER. STAINLESS STEEL POLISH SHOULD BE USED TO POLISH SMALL SCRATCHES.
- GLOSS BLACK FINISHES SHOULD BE CLEANED WITH MILD SOAP AND WATER.

WESTIN Westin Automotive Products, Inc.
320 W. Covina Blvd
San Dimas, Ca. 91773

Thank you for choosing Westin products
for additional installation assistance please call
Customer Service (800) 793-7846



WARNING



Failure to follow these instructions could lead to death, personal injury, and / or property damage.

Failure to follow these instructions could lead to death, personal injury, and / or property damage.

FASTENERS:

All Westin supplied fasteners must be utilized and installed in accordance with the installation instructions and apply torque to the specifications as defined. **DOUBLE CHECK ALL FASTENERS BEFORE INITIAL USE, AND PERIODICALLY IN THE FUTURE TO ENSURE PROPER FUNCTION AND SAFETY.**

DRILLING:

Most Westin products do not require drilling for installation. If drilling is defined as required, use caution when drilling a vehicle. **FAILURE TO REVIEW AN AREA TO BE DRILLED MAY RESULT IN PERSONAL INJURY AND/OR INJURY TO OTHERS AS WELL AS VEHICLE DAMAGE.**

EYE PROTECTION:

ALWAYS WEAR SAFETY GLASSES OR GOGGLES DURING THE INSTALLATION PROCESS TO AVOID PERSONAL INJURY.

MAXIMUM TOWING/CARRYING CAPACITY: (if applicable)

The Westin Receiver Hitches will have a visible tow rating label affixed directly on the product. User should never exceed the vehicle manufacturers maximum tow and weight rating regardless of the capacity of the hitch. **FAILURE TO FOLLOW THESE GUIDELINES WILL VOID THE WESTIN WARRANTY AND MAY RESULT IN PERSONAL INJURY AND/OR INJURY TO OTHERS AS WELL AS VEHICLE DAMAGE.**

FOR CALIFORNIA RESIDENTS ONLY-PROP 65 WARNING:

Some products may contain chemicals such as DEHP, which can cause cancer, birth defects or other reproductive harm. For more info go to www.p65warnings.ca.gov



Westin Automotive Products, Inc.
320 W. Covina Blvd
San Dimas, Ca. 91773