


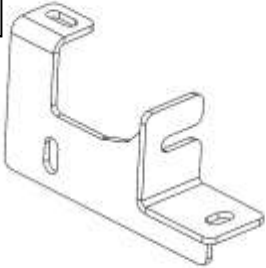


INSTALLATION INSTRUCTIONS



HDX XTREME BOARDS
APPLICATION:
 2018-2023 Jeep Wrangler JL 2dr
PART NUMBER:
 56-24055

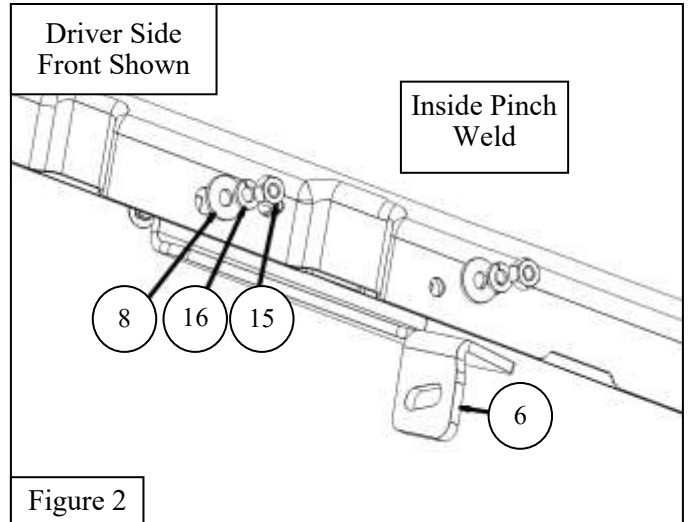
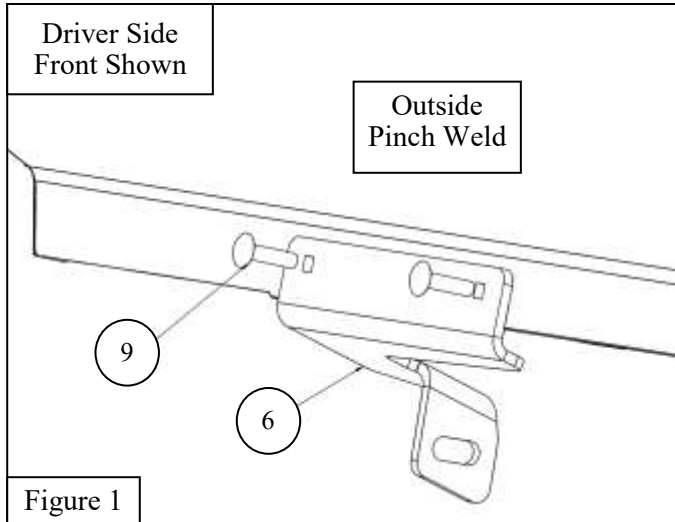
CONTENT			
ITEM	QUANTITY	DESCRIPTION	TOOLS NEEDED
1	2	STEP BAR ASSEMBLY (1 DRIVER, 1 PASSENGER)	RATCHET
2, 3	2	FRONT MOUNTING BRACKET (1 DRIVER, 1 PASSENGER)	TORQUE WRENCH
4, 5	2	REAR MOUNTING BRACKET (1 DRIVER, 1 PASSENGER)	10MM SOCKET
6, 7	4	SUPPORT BRACKET (2 DRIVER, 2 PASSENGER)	10MM WRENCH
8	8	M6 FLAT WASHER (YELLOW ZINC)	13MM SOCKET
9	8	M6 CARRIAGE BOLT (BLACK ZINC)	13MM WRENCH
10	4	M8 U-NUT (YELLOW ZINC)	SOCKET EXT.
11	16	M8 HEX HEAD CAP SCREW (YELLOW ZINC)	ALLEN WRENCH
12	16	M8 SPLIT LOCK WASHER (YELLOW ZINC)	
13	4	M8 HEX NUT (YELLOW ZINC)	
14	20	M8 FLAT WASHER (YELLOW ZINC)	
15	8	M6 HEX NUT (YELLOW ZINC)	
16	8	M6 SPLIT LOCK WASHER (YELLOW ZINC)	

ANTI-SEIZE LUBRICANT MUST BE USED ON ALL STAINLESS STEEL FASTENERS TO PREVENT THREAD DAMAGE AND GALLING

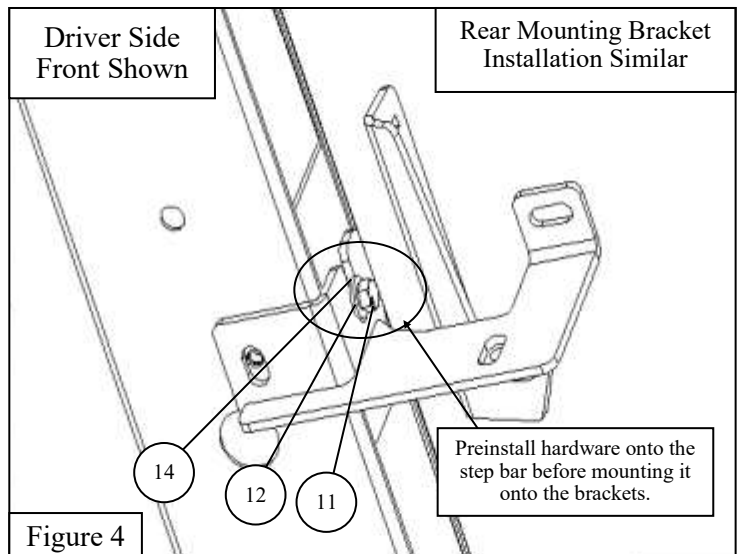
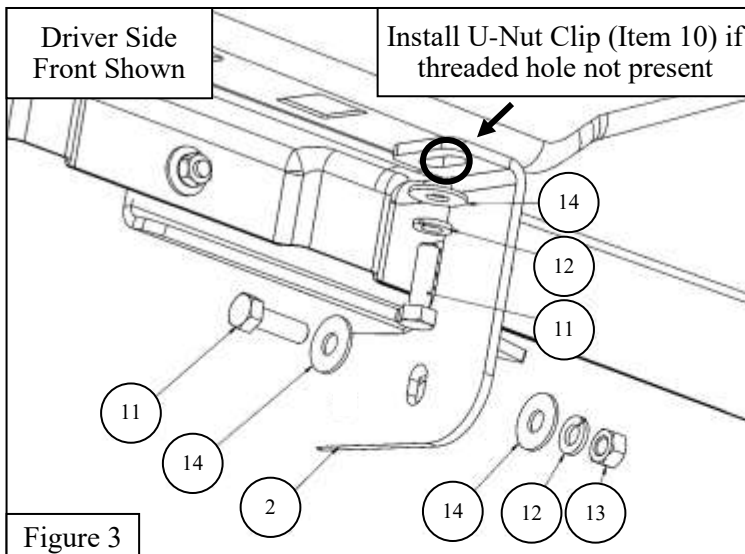
ITEM 1			
			
ITEM 2	ITEM 4	ITEM 6	
			
DRIVER SIDE ITEMS SHOWN, PASSENGER SIDE OPPOSITE			

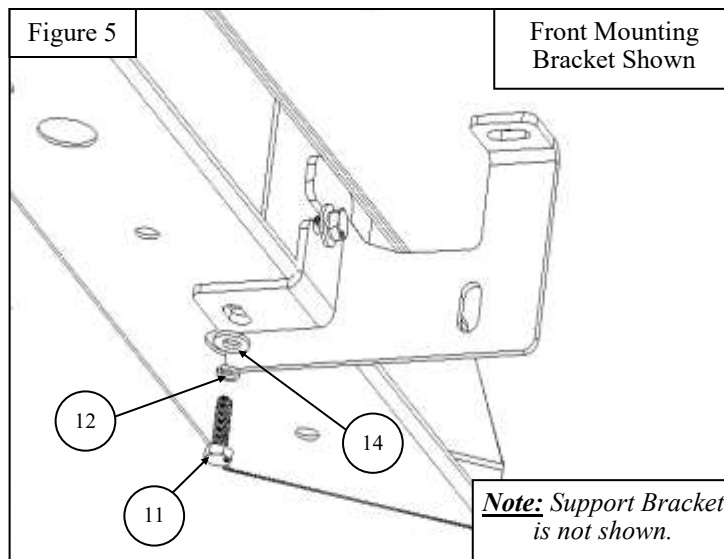
PROCEDURE

1. Remove contents from box, verify if all parts listed are present and free from damage. Carefully read and understand all instructions before attempting installation.
Failure to identify damage before installation could lead to a rejection of any claim.
2. Starting at the front mounting location, locate (1) Driver Support Bracket (Item 6). Loosely secure the bracket to the vehicle's pinch weld using the supplied M6 hardware as shown in **Figures 1 & 2**.

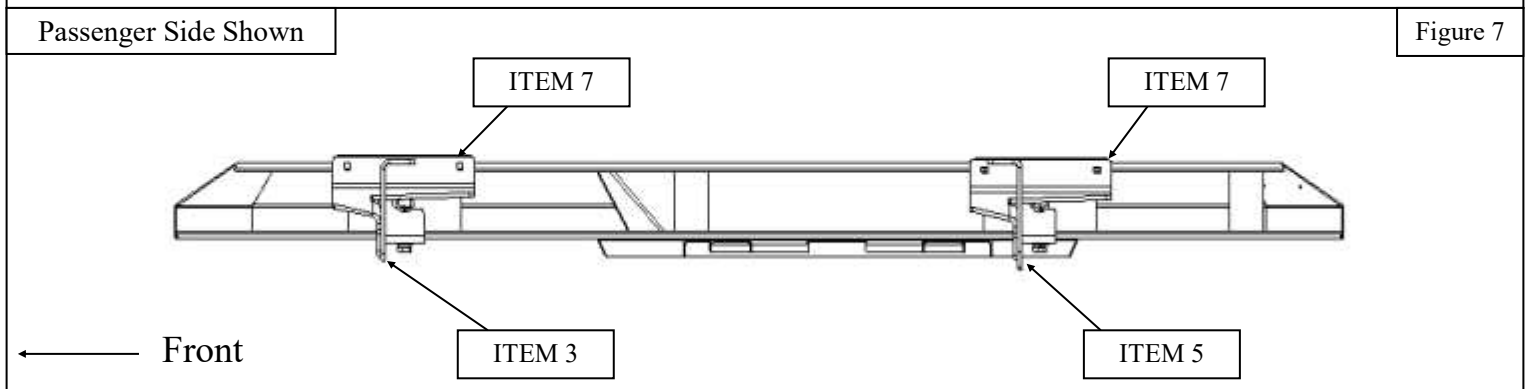
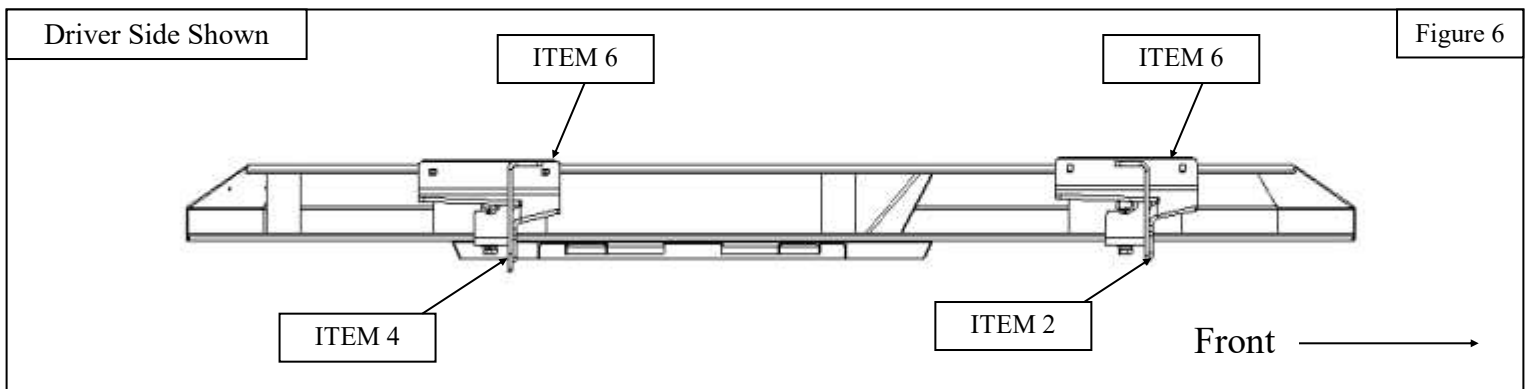


3. On the driver's side of the vehicle, loosely install the front and rear mounting brackets (Items 2 & 4) onto the previously installed support brackets as shown in **Figure 3**. **Note:** See **Figures 6 & 7** for bracket orientation and locations.
4. Locate (1) Step Bar Assembly and loosely secure it onto the previously installed mounting brackets using the provided M8 hardware. **Note:** Partially insert the M8 Hardware into the step bar and slide the step bar with the hardware onto the slotted mounting brackets. See **Figures 4 & 5** for reference.
5. Tighten the hardware as much as possible while still having room for adjustment of the step bar.





6. Repeat **steps 2 through 5** for the passenger side.
7. Align and adjust the step bars and mounting brackets to the desired positioning. Tighten and torque all hardware as specified: M6 hardware to 7-10 ft-lbs., M8 hardware to 15-20 ft-lbs.



INSTALLATION COMPLETE



CARE INSTRUCTIONS

- REGULAR WAXING IS RECOMMENDED. DO NOT USE ANY TYPE OF POLISH OR WAX THAT MAY CONTAIN ABRASIVES
- STAINLESS STEEL PRODUCTS CAN BE CLEANED WITH MILD SOAP AND WATER. STAINLESS STEEL POLISH SHOULD BE USED TO POLISH SMALL SCRATCHES.
- GLOSS BLACK FINISHES SHOULD BE CLEANED WITH MILD SOAP AND WATER

WESTIN

Westin Automotive Products, Inc.
320 W. Covina Blvd
San Dimas, Ca. 91773



WARNING



Failure to follow these instructions could lead to death, personal injury, and / or property damage.

Failure to follow these instructions could lead to death, personal injury, and / or property damage.

FASTENERS:

All Westin supplied fasteners must be utilized and installed in accordance with the installation instructions and apply torque to the specifications as defined. **DOUBLE CHECK ALL FASTENERS BEFORE INITIAL USE, AND PERIODICALLY IN THE FUTURE TO ENSURE PROPER FUNCTION AND SAFETY.**

DRILLING:

Most Westin products do not require drilling for installation. If drilling is defined as required, use caution when drilling a vehicle. **FAILURE TO REVIEW AN AREA TO BE DRILLED MAY RESULT IN PERSONAL INJURY AND/OR INJURY TO OTHERS AS WELL AS VEHICLE DAMAGE.**

EYE PROTECTION:

ALWAYS WEAR SAFETY GLASSES OR GOGGLES DURING THE INSTALLATION PROCESS TO AVOID PERSONAL INJURY.

MAXIMUM TOWING/CARRYING CAPACITY: (if applicable)

The Westin Receiver Hitches will have a visible tow rating label affixed directly on the product. User should never exceed the vehicle manufacturers maximum tow and weight rating regardless of the capacity of the hitch. **FAILURE TO FOLLOW THESE GUIDELINES WILL VOID THE WESTIN WARRANTY AND MAY RESULT IN PERSONAL INJURY AND/OR INJURY TO OTHERS AS WELL AS VEHICLE DAMAGE.**

FOR CALIFORNIA RESIDENTS ONLY-PROP 65 WARNING:

Some products may contain chemicals such as DEHP, which can cause cancer, birth defects or other reproductive harm. For more info go to www.p65warnings.ca.gov



Westin Automotive Products, Inc.
320 W. Covina Blvd
San Dimas, Ca. 91773