

INSTALLATION INSTRUCTIONS



HDX DROP STEP WHEEL TO WHEEL

APPLICATION:

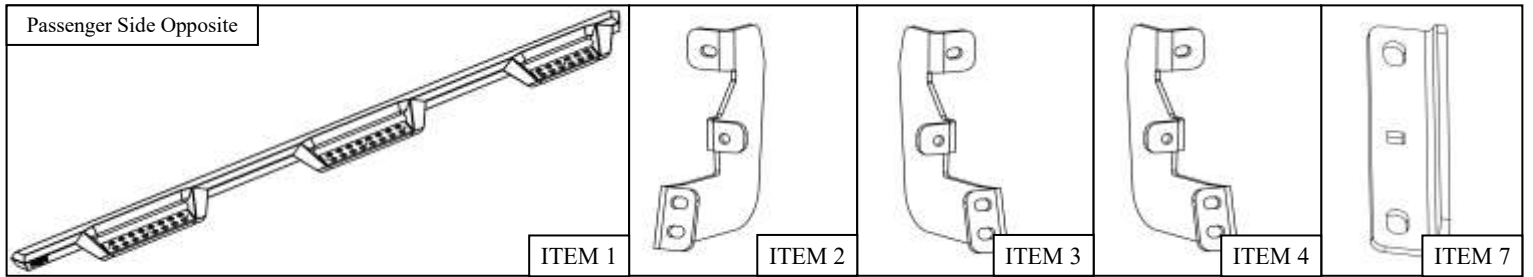
2017-2022 Ford F-250/350 Crew Cab (6.75' Bed)

PART NUMBER:

56-534025, 56-5340252

CONTENT			
ITEM	QUANTITY	DESCRIPTION	TOOLS NEEDED
1	2	STEP BAR ASSEMBLY	13MM WRENCH
2	2	FRONT MOUNTING BRACKET	13MM SOCKET
3	2	CENTER MOUNTING BRACKET	15MM WRENCH
4	2	REAR MOUNTING BRACKET	15MM SOCKET
5, 6	2	TOP ISOLATOR MOUNTING BRACKET (DRIVER (5), PASSENGER (6))	16MM WRENCH
7	6	UNIVERSAL BRACKET	16MM SOCKET
8	48	M8 SPLIT LOCK WASHER (YELLOW ZINC)	18MM WRENCH
9	48	M8 LARGE FLAT WASHER (YELLOW ZINC)	18MM SOCKET
10	24	M8 HEX NUT (YELLOW ZINC)	19MM WRENCH
11	6	M8 ROUND HEAD SQUARE NECK BOLT (BLACK ZINC)	19MM SOCKET
12	22	M8 PLASTIC RETAINER	SOCKET EXT.
13	4	M8 HEX HEAD BOLT SHORT (YELLOW ZINC)	RATCHET
14	20	M8 HEX HEAD BOLT LONG (YELLOW ZINC)	TORQUE WRENCH
15	4	M8 NUT CLIP (ZINC PLATED)	
16	4	M10 HEX NUT (YELLOW ZINC)	
17	4	M10 SPLIT LOCK WASHER (YELLOW ZINC)	
18	4	M10 FLAT WASHER (YELLOW ZINC)	
19	2	M12 HEX HEAD BOLT (YELLOW ZINC)	
20	2	M12 SPLIT LOCK WASHER (YELLOW ZINC)	
21, 22	2	BOTTOM ISOLATOR MOUNTING BRACKET (DRIVER (21), PASSENGER (22))	
23, 24	2	MOUNTING BRACKET A (DRIVER (23), PASSENGER (24))	
25	2	M10 DOUBLE BOLT PLATE	
26	2	ISOLATOR KIT	
27	4	M10 PLASTIC RETAINER	

ANTI-SEIZE LUBRICANT MUST BE USED ON ALL STAINLESS STEEL FASTENERS TO PREVENT THREAD DAMAGE AND GALLING

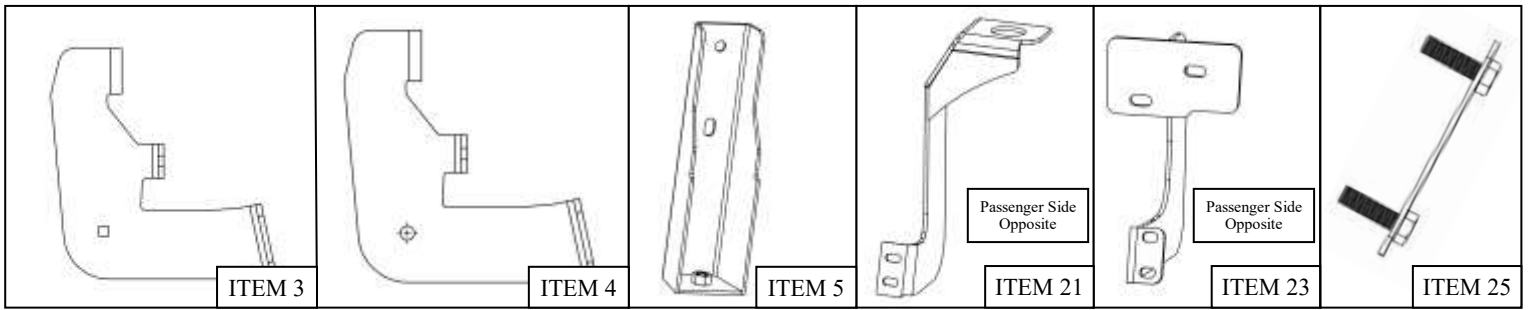


WESTIN Westin Automotive Products, Inc.
320 W. Covina Blvd
San Dimas, Ca. 91773

Thank you for choosing Westin products
for additional installation assistance please call
Customer Service (800) 793-7846

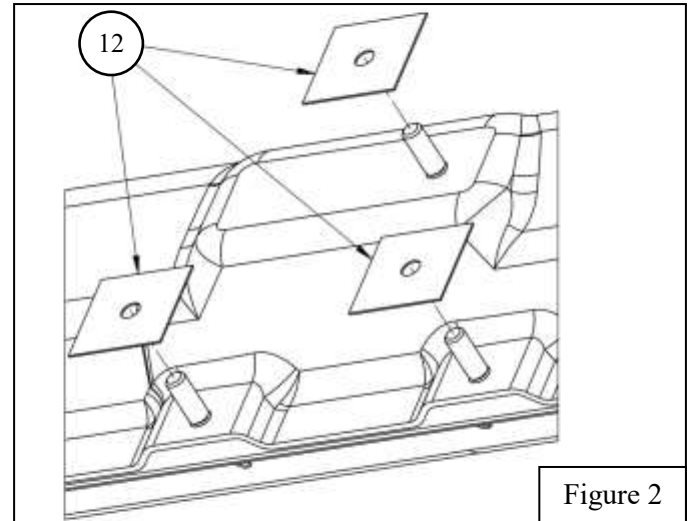
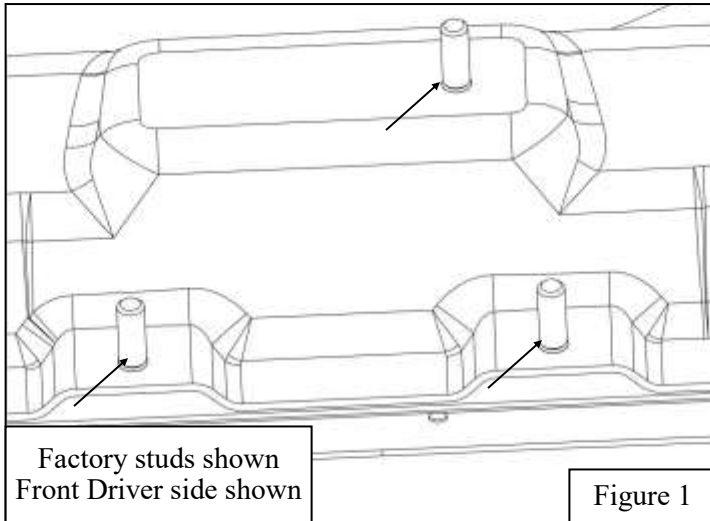
www.westinautomotive.com

DATE: 07/18/2022



PROCEDURE

1. Remove contents from box, verify if all parts listed are present and free from damage. Carefully read and understand all instructions before attempting installation.
Failure to identify damage before installation could lead to a rejection of any claim.
2. Start the installation on the driver side. On the rocker panel find the mounting locations with factory studs. In each location there should be 3 studs. See **Figure 1** for reference.
3. Insert (1) M8 Plastic Retainer (Item 12) on each factory stud. See **Figure 2** for reference.



4. Insert the M8 round head square neck bolt (Item 11) through the Universal Mounting Bracket's (Item 7) square hole. Then insert the M8 round head square neck bolt through the corresponding mounting brackets (Items 2 - 6) on the bottom circular hole. Loosely secure them with (1) M8 hex nut, (1) M8 split lock washer, and (1) M8 flat washer. See **Figure 3** for reference.
5. Align the bracket sub-assembly with the 3 factory studs. The lower two factory studs will align with the Universal Mounting Bracket and top factory stud will align with the mounting bracket itself. Loosely secure the sub-assembly with (3) M8 hex nut, (3) M8 split lock washer, and (3) M8 flat washer. See **Figure 4** for reference.
6. Repeat **steps 3-5** for the front, center, and rear mounting locations on both the passenger and driver side of the vehicle.

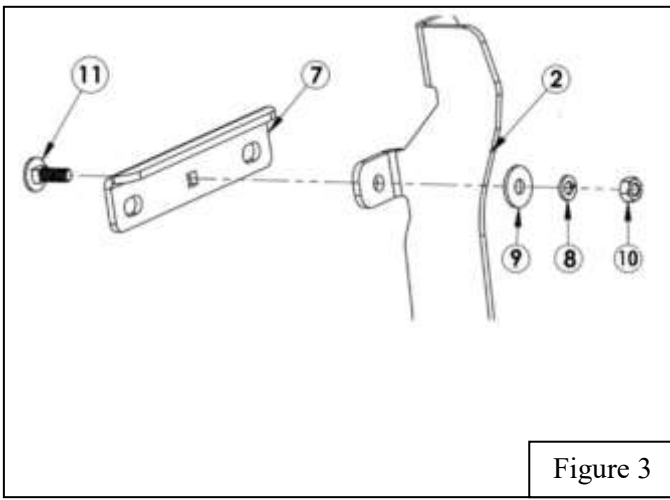
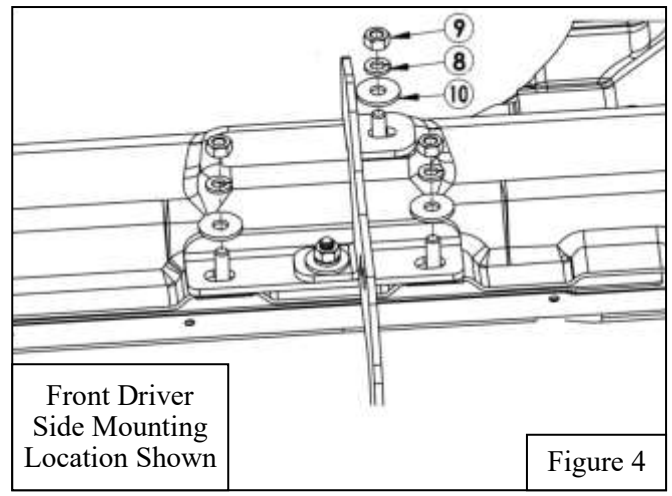


Figure 3



Front Driver Side Mounting Location Shown

Figure 4

7. Locate the two mounting locations at the rear of the cab of the truck. There will be an opening to insert the supplied nut clips (Item 15). Locate Mounting Bracket A (Item 23) and loosely install it with the supplied M8 hardware. See **Figure 5** for reference.
8. Locate the Top Isolator mounting area underneath the bed, at the front of the rear wheel well. There will be a portion of the bed with two large holes where the Bolt Plate (Item 25) will be mounted. Locate the Top Isolator Bracket (Item 5) and loosely install it with the supplied M10 hardware. See **Figures 6 & 7** for reference.

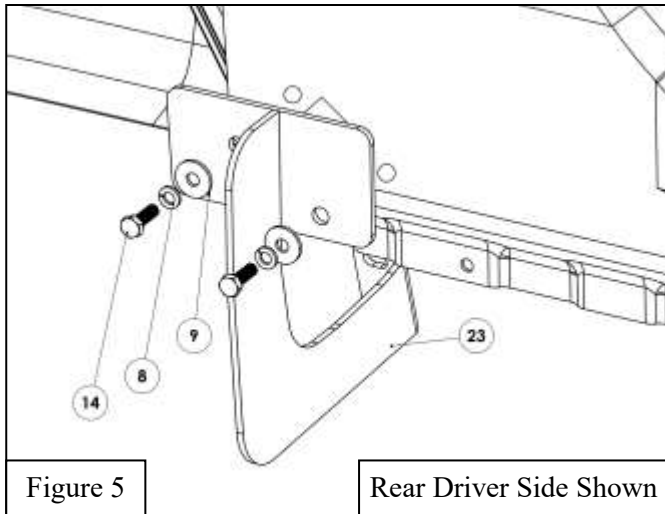
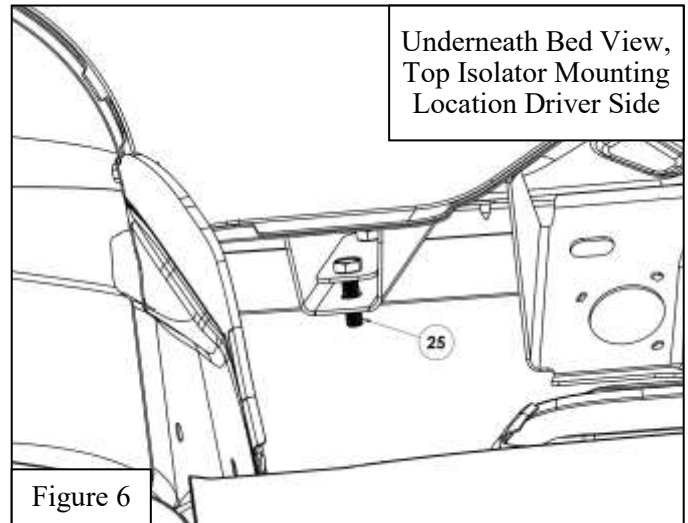


Figure 5

Rear Driver Side Shown



Underneath Bed View, Top Isolator Mounting Location Driver Side

Figure 6

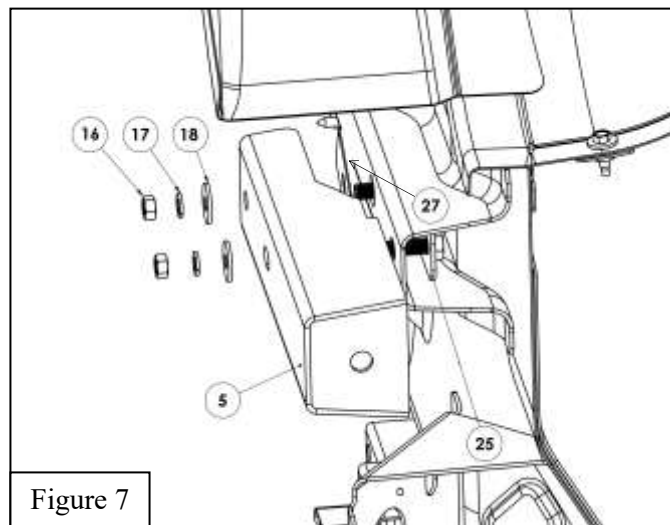
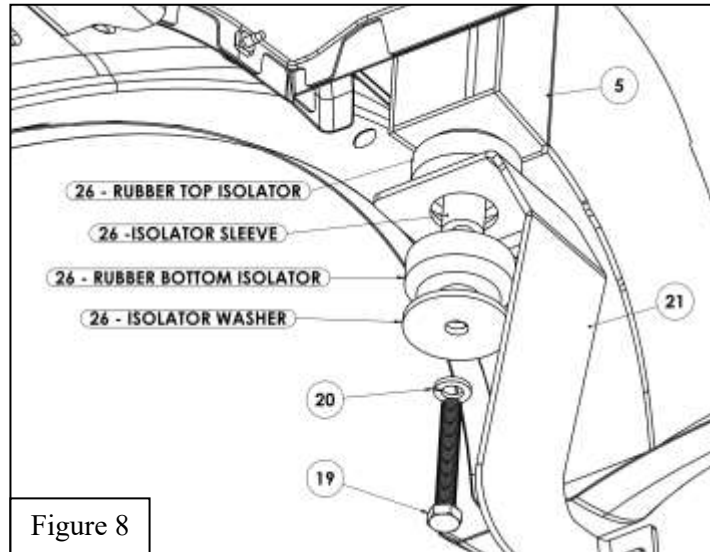


Figure 7

9. Install the Bottom Isolator Bracket (Item 21) to previously mounted Top Isolator Bracket (Item 5) with the supplied Isolator Kit (Item 26) and M12 Hardware. Assemble loosely to allow room for adjustment. See **Figure 8** for reference.



10. For step board installation, use the supplied M8 hardware with the short M8 bolts on Mounting Bracket A (Items 23-24) and M8 hardware with long M8 bolts for all other mounting locations. See **Figures 9 & 10** for reference. **Note:** Reference for bracket locations and orientations can be seen in **Figure 11**.
11. Align and adjust the step bar and mounting brackets as necessary. Tighten and torque all hardware as specified: M8 hardware to 15-18 ft-lbs., M10 to 35-38 ft-lbs., and M12 to 55-60 ft-lbs.

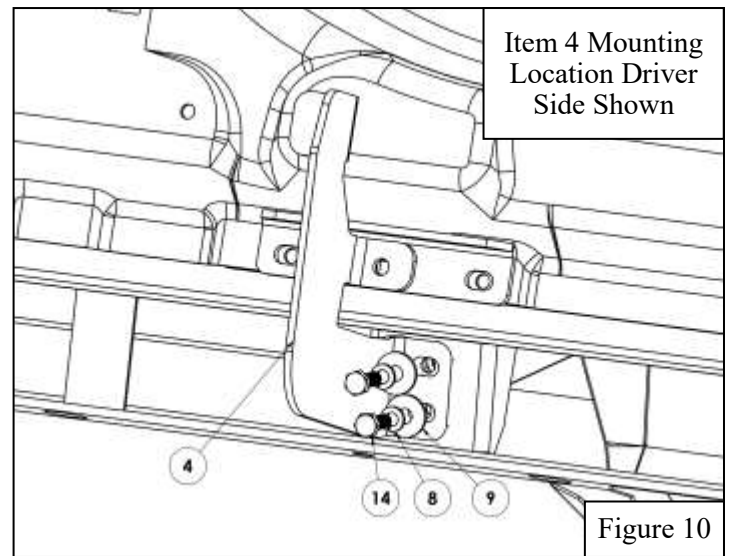
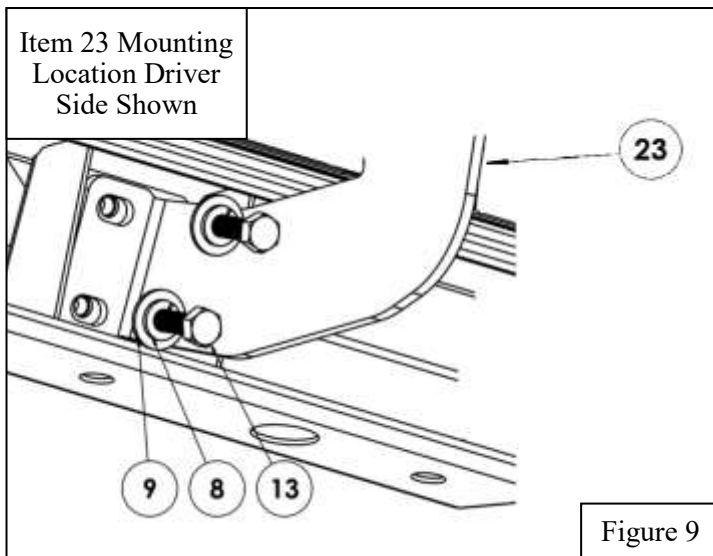
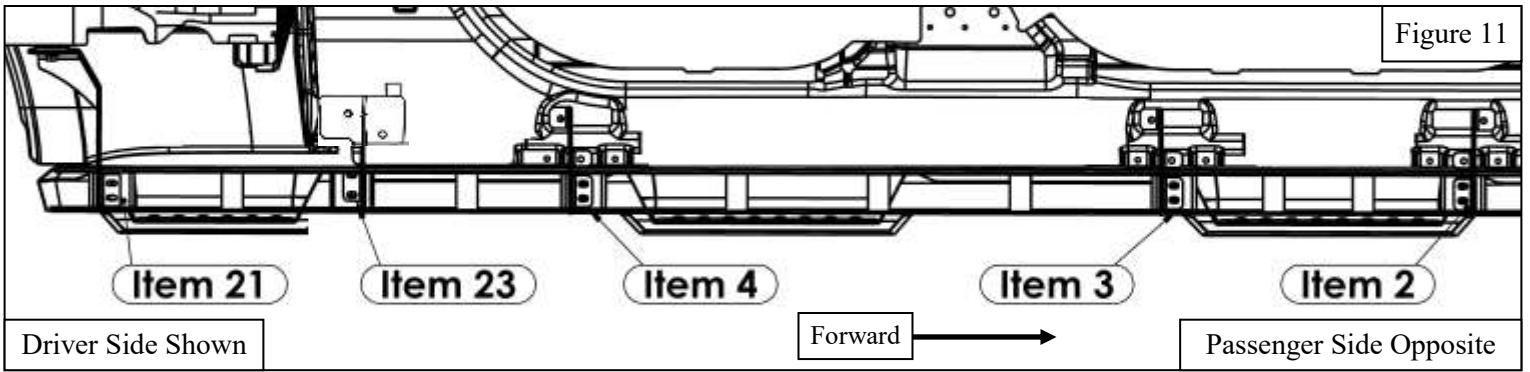


Figure 11



INSTALLATION COMPLETE



Care Instructions

- REGULAR WAXING IS RECOMMENDED. DO NOT USE ANY TYPE OF POLISH OR WAX THAT MAY CONTAIN ABRASIVES.
- STAINLESS STEEL PRODUCTS CAN BE CLEANED WITH MILD SOAP AND WATER. STAINLESS STEEL POLISH SHOULD BE USED TO POLISH SMALL SCRATCHES.
- GLOSS BLACK FINISHES SHOULD BE CLEANED WITH MILD SOAP AND WATER.

WESTIN Westin Automotive Products, Inc.
 320 W. Covina Blvd
 San Dimas, Ca. 91773

Thank you for choosing Westin products
 for additional installation assistance please call
 Customer Service (800) 793-7846
www.westinautomotive.com
 DATE: 07/18/2022



WARNING



Failure to follow these instructions could lead to death, personal injury, and / or property damage.

Failure to follow these instructions could lead to death, personal injury, and / or property damage.

FASTENERS:

All Westin supplied fasteners must be utilized and installed in accordance with the installation instructions and apply torque to the specifications as defined. **DOUBLE CHECK ALL FASTENERS BEFORE INITIAL USE, AND PERIODICALLY IN THE FUTURE TO ENSURE PROPER FUNCTION AND SAFETY.**

DRILLING:

Most Westin products do not require drilling for installation. If drilling is defined as required, use caution when drilling a vehicle. **FAILURE TO REVIEW AN AREA TO BE DRILLED MAY RESULT IN PERSONAL INJURY AND/OR INJURY TO OTHERS AS WELL AS VEHICLE DAMAGE.**

EYE PROTECTION:

ALWAYS WEAR SAFETY GLASSES OR GOGGLES DURING THE INSTALLATION PROCESS TO AVOID PERSONAL INJURY.

MAXIMUM TOWING/CARRYING CAPACITY: (if applicable)

The Westin Receiver Hitches will have a visible tow rating label affixed directly on the product. User should never exceed the vehicle manufacturers maximum tow and weight rating regardless of the capacity of the hitch. **FAILURE TO FOLLOW THESE GUIDELINES WILL VOID THE WESTIN WARRANTY AND MAY RESULT IN PERSONAL INJURY AND/OR INJURY TO OTHERS AS WELL AS VEHICLE DAMAGE.**

FOR CALIFORNIA RESIDENTS ONLY-PROP 65 WARNING:

Some products may contain chemicals such as DEHP, which can cause cancer, birth defects or other reproductive harm. For more info go to www.p65warnings.ca.gov



Westin Automotive Products, Inc.
320 W. Covina Blvd
San Dimas, Ca. 91773