

INSTALLATION INSTRUCTIONS



HDX MODULAR GRILLE GUARD

APPLICATION:

2007-2013 Chevrolet Silverado 1500 (Excl. Classic)

PART NUMBER:

57-22275

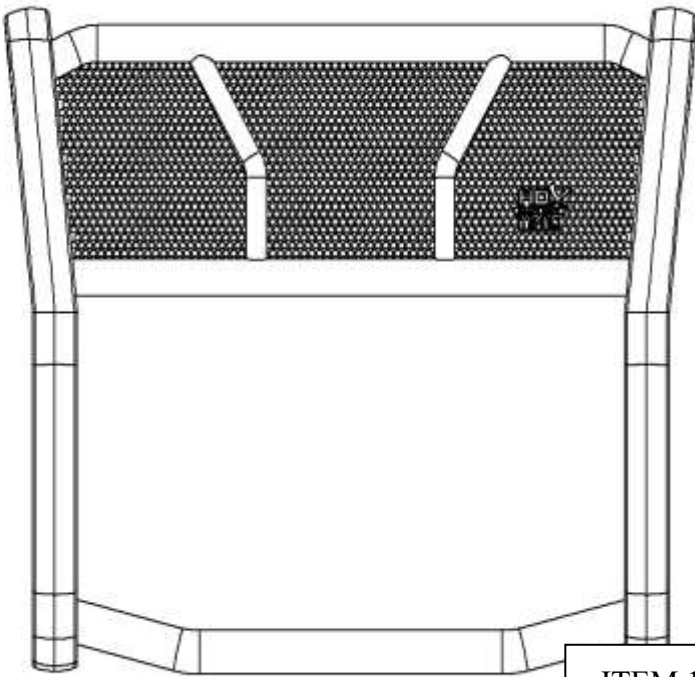
CONTENT			
ITEM	QUANTITY	DESCRIPTION	TOOLS NEEDED
1	1	HDX GRILLE GUARD BASE	13MM SOCKET
2	1	HDX DRIVER WING	16MM SOCKET
3	1	HDX PASSENGER WING	18MM SOCKET
4	2	OUTER FRAME MOUNTING BRACKET	21MM SOCKET
5	2	INNER FRAME MOUNTING BRACKET	ALLEN KEY
6	1	DRIVER TOP BRACKET	RATCHET
7	1	PASSENGER TOP BRACKET	TORQUE WRENCH
8	2	SPACER	
9	1	ANTI-REFLECTIVE TAPE	
10	6	M12 HEX SOCKET BUTTON HEAD SCREW (<i>BLACK ZINC</i>)	
11	6	M12 HEX NUTS (<i>BLACK ZINC</i>)	
12	12	M12 LARGE FLAT WASHERS (<i>BLACK ZINC</i>)	
13	6	M12 LOCK WASHERS (<i>BLACK ZINC</i>)	
14	8	M12 HEX CAP SCREWS	
15	8	M12 HEX NUTS	
16	8	M12 LOCK WASHERS	
17	16	M12 SMALL FLAT WASHERS	
18	2	M10 HEX SOCKET BUTTON HEAD SCREW (<i>BLACK ZINC</i>)	
19	2	M10 HEX NUT (<i>BLACK ZINC</i>)	
20	2	M10 SPLIT LOCK WASHER (<i>BLACK ZINC</i>)	
21	4	M10 SHORT FLAT WASHER (<i>BLACK ZINC</i>)	
22	2	M10 HEX HEAD CAP SCREW	
23	2	M10 FLAT WASHER	
24	2	M10 SPLIT LOCK WASHER	
25	8	M8 HEX SOCKET BUTTON HEAD BOLT	
26	8	M8 BELLVILLE WASHER	
27	8	M8 SERRATED FLANGE NUT	

ANTI-SEIZE LUBRICANT MUST BE USED ON ALL STAINLESS STEEL FASTENERS TO PREVENT THREAD DAMAGE AND GALLING

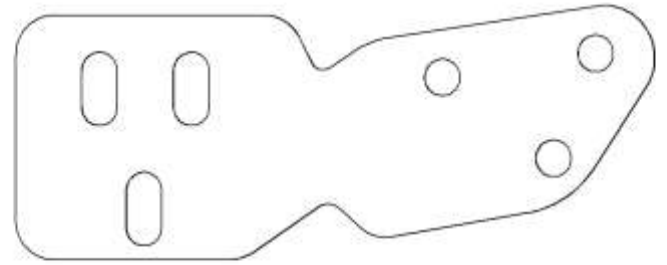


Westin Automotive Products, Inc.
320 W. Covina Blvd
San Dimas, Ca. 91773

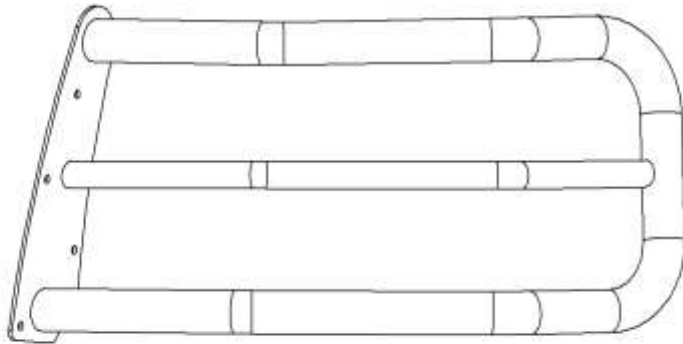
Thank you for choosing Westin products
for additional installation assistance please call
Customer Service (800) 793-7846
www.westinautomotive.com



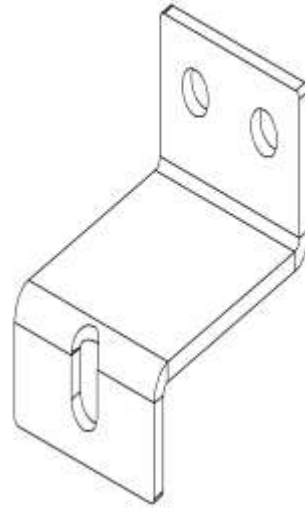
ITEM 1



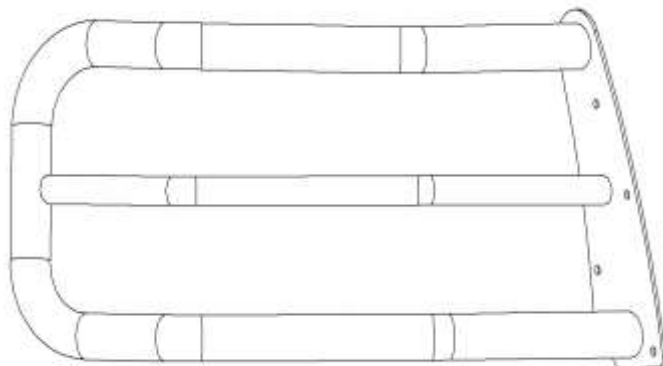
ITEM 4



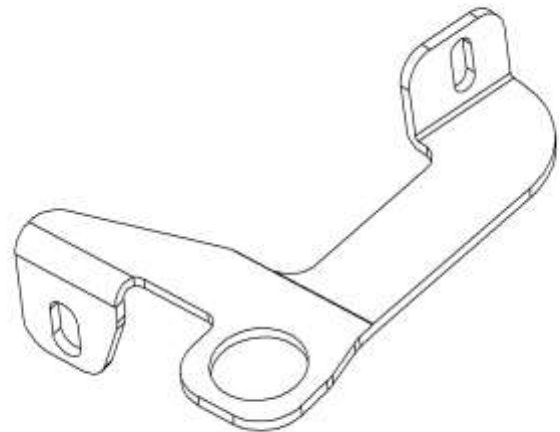
ITEM 2



ITEM 5



ITEM 3

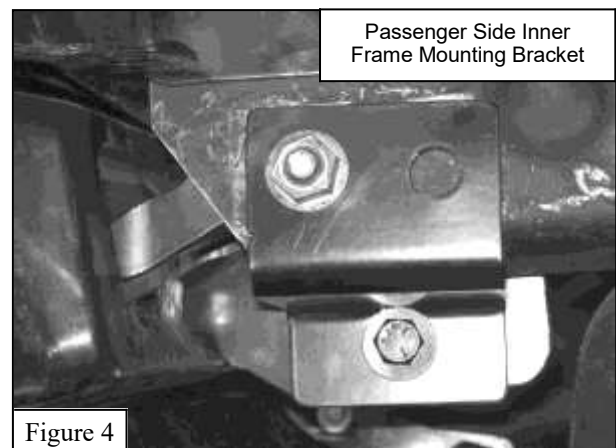
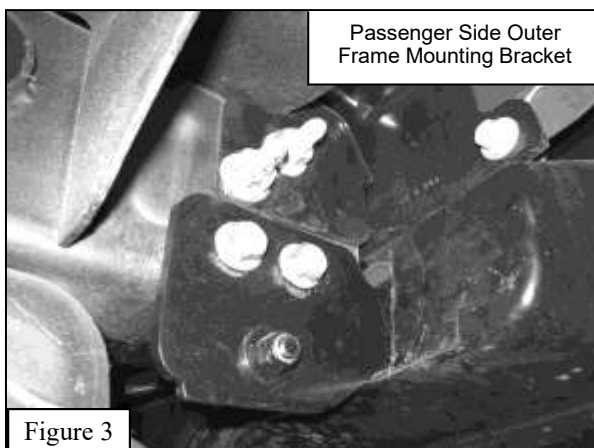
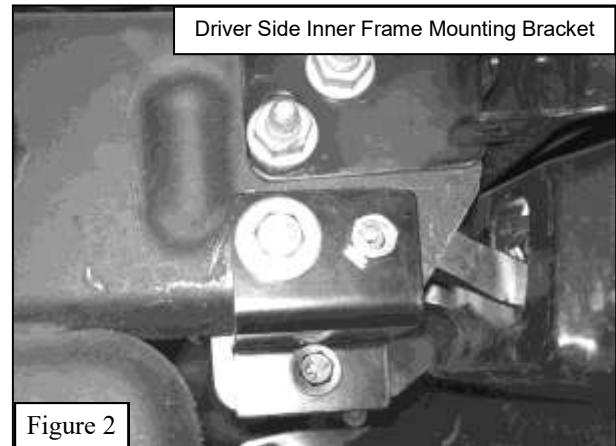
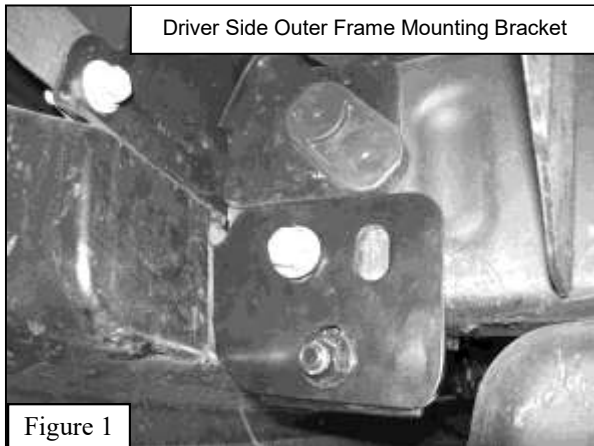


ITEM 6

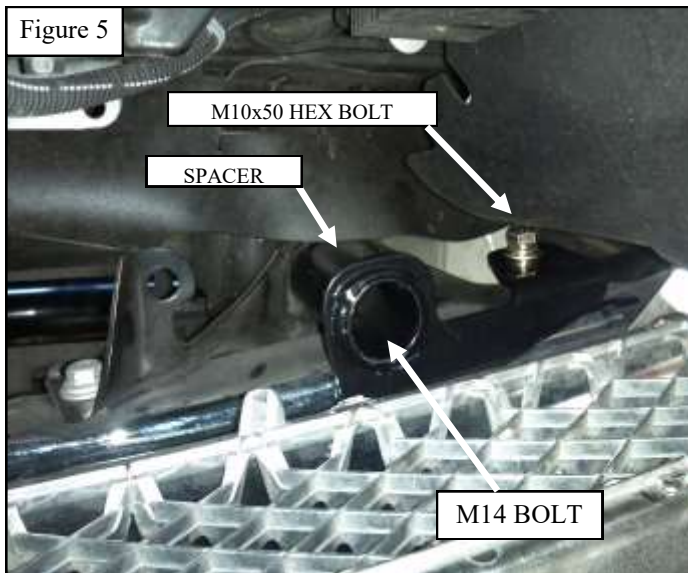
Passenger Side Opposite

PROCEDURE

1. Remove contents from box, verify if all parts listed are present and free from damage.
Carefully read and understand all instructions before attempting installation.
Failure to identify damage before installation could lead to a rejection of any claim.
2. To install the two Outer Frame Mounting Brackets and the two Inner Frame Mounting Brackets, remove the tow hook bolts and use them to install the Frame Brackets. If the vehicle is not equipped with tow hooks use the supplied M12 Hex Cap Screws and M12 hardware to mount the brackets (**Items 14 – 17**). **Note:** Use a sharp utility knife to cutout an opening to allow the Grille Guard mounting brackets to pass through the tow hook cavity. The tow hooks remain in their stock position in the frame rails.
3. Install the Outer Frame Mounting Brackets on the outer side of the tow hooks.
4. Attach the Inner Frame Brackets to the Outer Frame Brackets using (1) M12 Hex Cap Screw, (1) M12 Lock Washer, (2) M12 Small Flat Washers, and (1) M12 Hex Nuts (**Items 14 - 17**). **Note:** The driver side Outer Frame Mounting Bracket mounts to one tow hook bolt (**Figure 1**) and the driver side Inner Frame Mounting Bracket mounts to two tow hook bolts (**Figure 2**). The passenger side Outer Frame Mounting Bracket mounts to two tow hook bolts (**Figure 3**) and the passenger side Inner Frame Mounting Bracket mounts to one tow hook bolt (**Figure 4**).

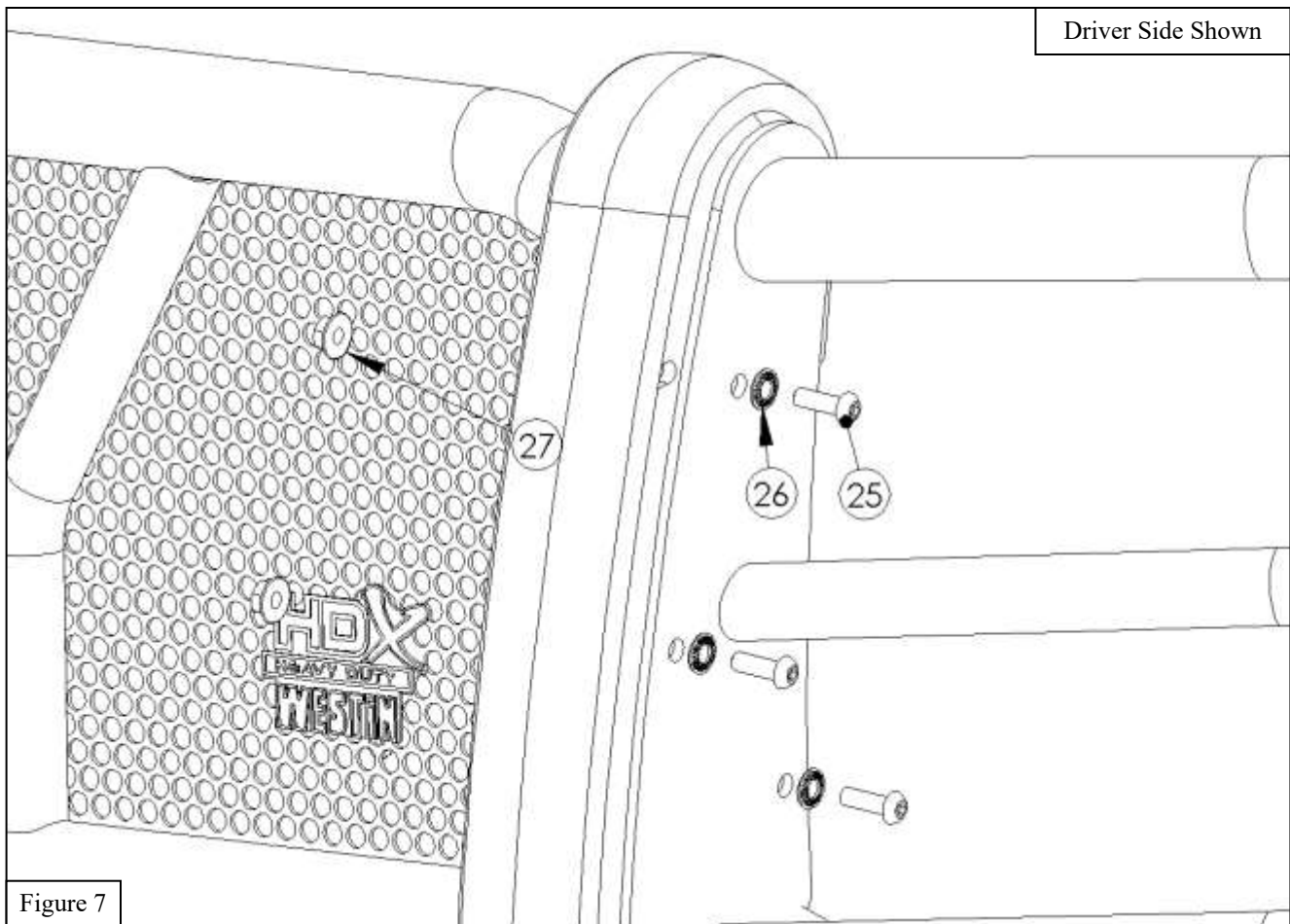


5. Open the hood and remove the radiator cover to access the factory grille shell. Use a small flat head screw driver to remove the retainer plugs from the plastic shroud.
6. Remove the two outer bolts from the chrome grille shell.
7. Using a pair of needle nose pliers squeeze the six grille mounting clips. Begin from one end of the grille and insert a small screwdriver into the clips to prevent them from popping back into place. Remove the chrome grille by pulling on it gently and evenly.
8. Starting on the driver side remove the long M14 bolt that secures the bumper to the frame. Next, remove the M10 bolt that secures the bumper bracket to the bumper shell. Using the long factory M14 bolt, the supplied M10 Hex Head Cap Screw, Washer, Lock Washer (**Items 22 - 24**), and the supplied spacer, attach the Driver Top Bracket to the vehicle as shown in **Figure 5**. Leave this bracket loose for further adjustment.
9. Repeat for the Passenger Side.
10. Reinstall the factory grille shell at this time, line up the clips and gently push it into place. Do not reinstall top covers at this time.
11. With help position the Grille Guard Base (**Item 1**) on the outer side of the Grille Guard Mounting Brackets. Attach the Grille Guard to the Mounting Brackets using (6) M12 Hex Socket Button Head Screw, (6) M12 Lock Washers, (12) M12 Large Flat Washers, and (6) M12 Hex Nuts (**Items 10-13**). See **Figure 6** for reference.
12. Attach the Grille Guard Base to the Top Brackets using the included (2) M10 Hex Socket Button head Screw, (2) M10 Lock Washers, (4) M10 Flat Washers and (2) M10 Hex Nuts (**Items 18-21**). Do not tighten at this time.
13. Level and adjust the Grille Guard as needed then tighten all hardware. Torque all M14 hardware to 70-80 ft-lbs., M12 hardware to 45-50 ft-lbs., M10 hardware to 25-30 ft-lbs. A long extension is necessary to tighten the factory M14 bolts.
14. Re-install the top plastic shroud.



On polished grille guards. Anti-reflective tape is included to help reduce the amount of glare reflected from the headlights. It should be applied on the top tube section of the grille guard wings as shown on the illustration. Tape may need to be cut to correct length.

15. Using supplied M8 hardware (**Items 25-27**), mount the HDX Driver and Passenger Wings (**Items 2-3**) to the Grille Guard Base. See **Figure 7** for reference.
16. Align and adjust the HDX Grille Guard Base, HDX Wings, and Mounting Brackets as needed. Then fully tighten all hardware at this time. Tighten and torque all M8 hardware to 15-18 ft-lbs..



INSTALLATION COMPLETE



CARE INSTRUCTIONS

- REGULAR WAXING IS RECOMMENDED. DO NOT USE ANY TYPE OF POLISH OR WAX THAT MAY CONTAIN ABRASIVES.
- STAINLESS STEEL PRODUCTS CAN BE CLEANED WITH MILD SOAP AND WATER. STAINLESS STEEL POLISH SHOULD BE USED TO POLISH SMALL SCRATCHES.
- GLOSS BLACK FINISHES SHOULD BE CLEANED WITH MILD SOAP AND WATER.

WESTIN

Westin Automotive Products, Inc.
320 W. Covina Blvd
San Dimas, Ca. 91773

Thank you for choosing Westin products
for additional installation assistance please call
Customer Service (800) 793-7846
www.westinautomotive.com



WARNING



Failure to follow these instructions could lead to death, personal injury, and / or property damage.

Failure to follow these instructions could lead to death, personal injury, and / or property damage.

FASTENERS:

All Westin supplied fasteners must be utilized and installed in accordance with the installation instructions and apply torque to the specifications as defined. **DOUBLE CHECK ALL FASTENERS BEFORE INITIAL USE, AND PERIODICALLY IN THE FUTURE TO ENSURE PROPER FUNCTION AND SAFETY.**

DRILLING:

Most Westin products do not require drilling for installation. If drilling is defined as required, use caution when drilling a vehicle. **FAILURE TO REVIEW AN AREA TO BE DRILLED MAY RESULT IN PERSONAL INJURY AND/OR INJURY TO OTHERS AS WELL AS VEHICLE DAMAGE.**

EYE PROTECTION:

ALWAYS WEAR SAFETY GLASSES OR GOGGLES DURING THE INSTALLATION PROCESS TO AVOID PERSONAL INJURY.

MAXIMUM TOWING/CARRYING CAPACITY: (if applicable)

The Westin Receiver Hitches will have a visible tow rating label affixed directly on the product. User should never exceed the vehicle manufacturers maximum tow and weight rating regardless of the capacity of the hitch. **FAILURE TO FOLLOW THESE GUIDELINES WILL VOID THE WESTIN WARRANTY AND MAY RESULT IN PERSONAL INJURY AND/OR INJURY TO OTHERS AS WELL AS VEHICLE DAMAGE.**

FOR CALIFORNIA RESIDENTS ONLY-PROP 65 WARNING:

Some products may contain chemicals such as DEHP, which can cause cancer, birth defects or other reproductive harm. For more info go to www.p65warnings.ca.gov



Westin Automotive Products, Inc.
320 W. Covina Blvd
San Dimas, Ca. 91773