

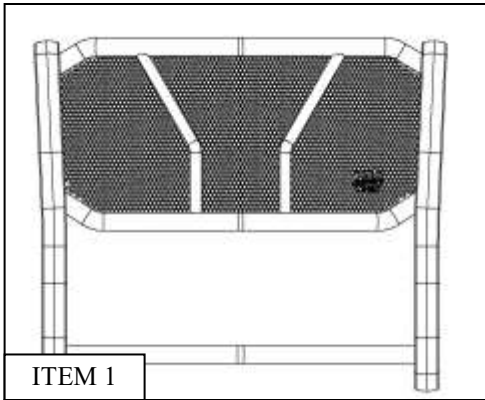
INSTALLATION INSTRUCTIONS



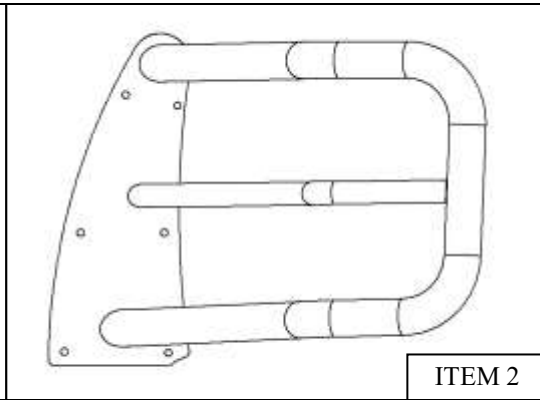
HDX MODULAR GRILLE GUARD
APPLICATION:
2014-2015 Chevrolet Silverado 1500
PART NUMBER:
57-23685

CONTENT			
ITEM	QUANTITY	DESCRIPTION	TOOLS NEEDED
1	1	GRILLE GUARD BASE	RATCHET
2	1	GRILLE GUARD DRIVER WING	SCREWDRIVER
3	1	GRILLE GUARD PASSENGER WING	7MM COEKT
4	1	LOWER MOUNTING DRIVER BRACKET	10MM SOCKET
5	1	LOWER MOUNTING PASSENGER BRACKET	13MM WRENCH
6	1	LOWER SUPPORT DRIVER BRACKET	13MM SOCKET
7	1	LOWER SUPPORT PASSENGER BRACKET	15MM SOCKET
8	1	UPPER SUPPORT DRIVER BRACKET	15MM WRENCH
9	1	UPPER SUPPORT PASSENGER BRACKET	16MM SOCKET
10	2	M12 NUT PLATE	16MM WRENCH
11	2	M12 THICK WASHER	18MM SOCKET
12	2	M12 WIDE WASHER	18MM WRENCH
13	2	M12 LOCK WASHER	ALLEN WRENCH
14	2	M12 HEX NUT	RATCHET EXT.
15	2	M12 POLY RETAINER	TORQUE WRENCH
16	8	M12 HEX HEAD BOLT	UTILITY KNIFE
17	8	M12 LOCK WASHER	
18	16	M12 FLAT WASHER	
19	8	M12 HEX NUT	
20	2	M10 BUTTON HEAD BOLT	
21	4	M10 FLAT WASHER	
22	2	M10 LOCK WASHER	
23	2	M10 HEX NUT	
24	12	M8 SERRATED FLANGE HEX NUT	
25	12	M8 HEX SOCKET BUTTON HEAD BOLT	
26	12	M8 BELLVILLE WASHER	

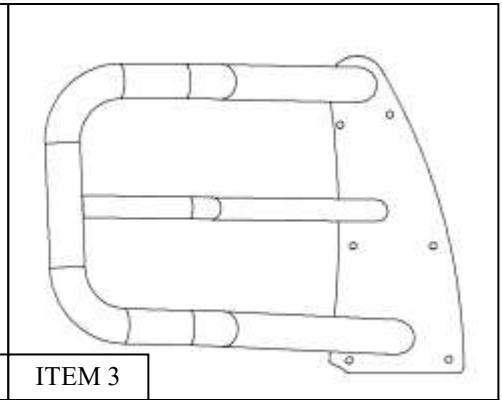
ANTI-SEIZE LUBRICANT MUST BE USED ON ALL STAINLESS STEEL FASTENERS TO PREVENT THREAD DAMAGE AND GALLING



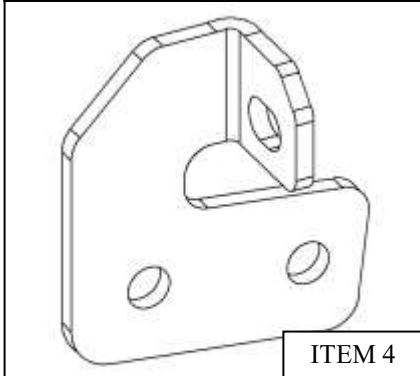
ITEM 1



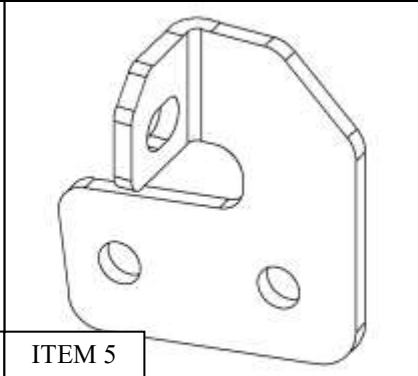
ITEM 2



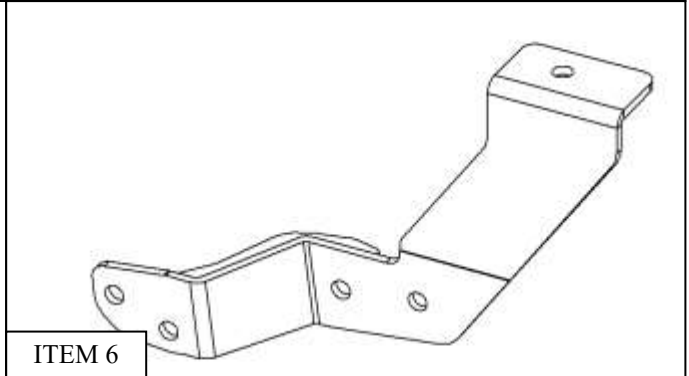
ITEM 3



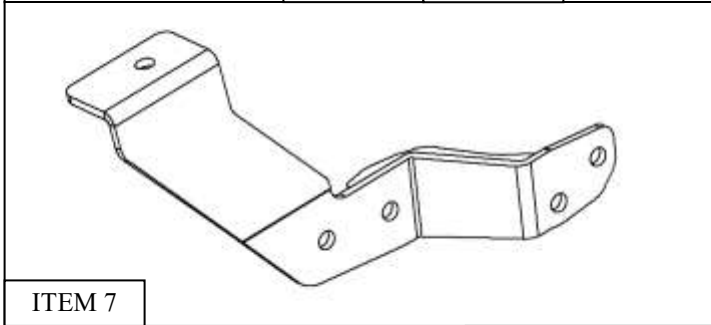
ITEM 4



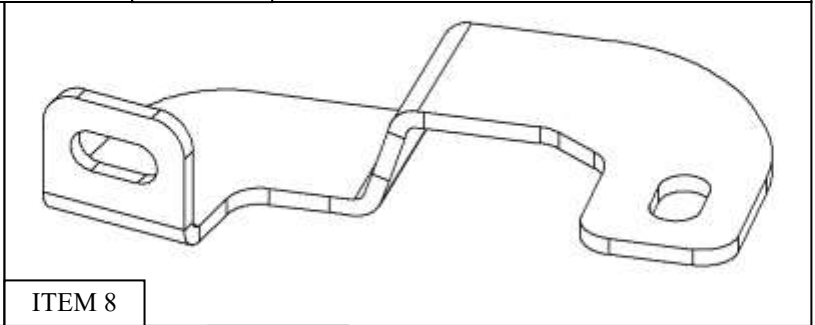
ITEM 5



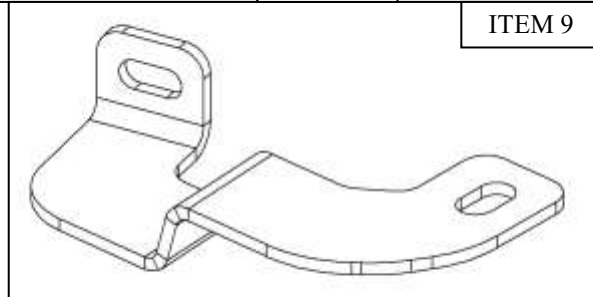
ITEM 6



ITEM 7



ITEM 8



ITEM 9



Westin Automotive Products, Inc.
320 W. Covina Blvd
San Dimas, Ca. 91773

Thank you for choosing Westin products
for additional installation assistance please call
Customer Service (800) 793-7846
www.westinautomotive.com

PROCEDURE

1. Remove contents from box, verify if all parts listed are present and free from damage. Carefully read and understand all instructions before attempting installation.
Failure to identify damage before installation could lead to a rejection of any claim.
2. Remove the front grille and filler panel from the front of the vehicle. See **Figures 1 through 6** for reference.

Pull up all fasteners and remove plastic radiator cover.

Figure 1

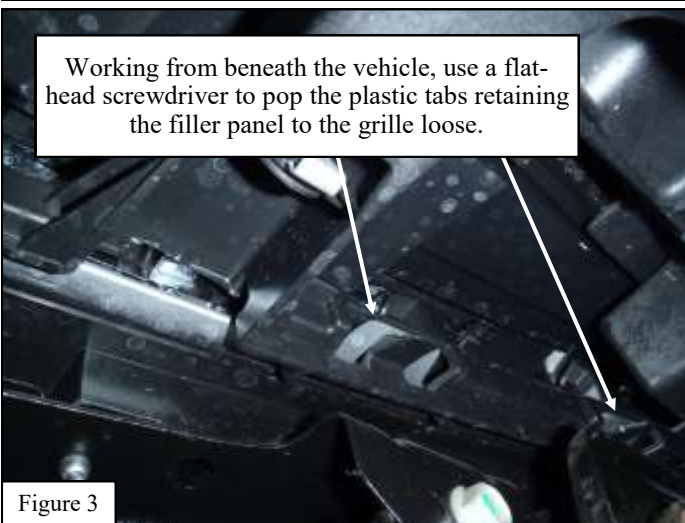


Figure 2

Remove the two fasteners on each side attaching the filler panel to the body.



Working from beneath the vehicle, use a flat-head screwdriver to pop the plastic tabs retaining the filler panel to the grille loose.



Once all fasteners have been removed and the tabs are popped loose, carefully pull the filler panel off of the vehicle.



Figure 3

Figure 4

Remove all of the lower screws holding the grille to the radiator support.

Figure 5

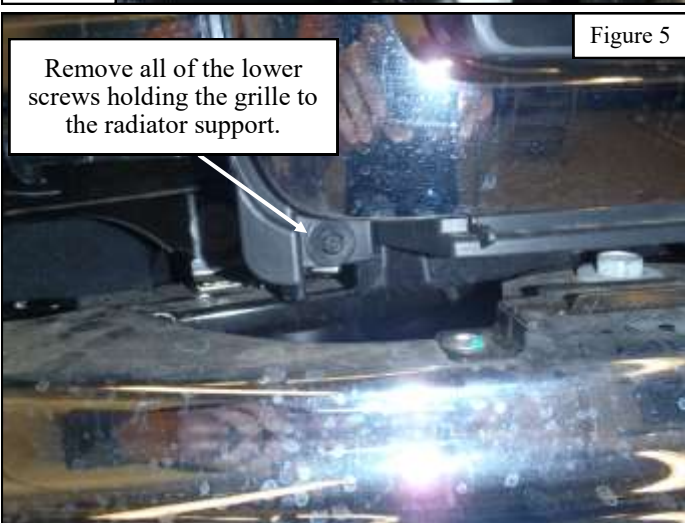
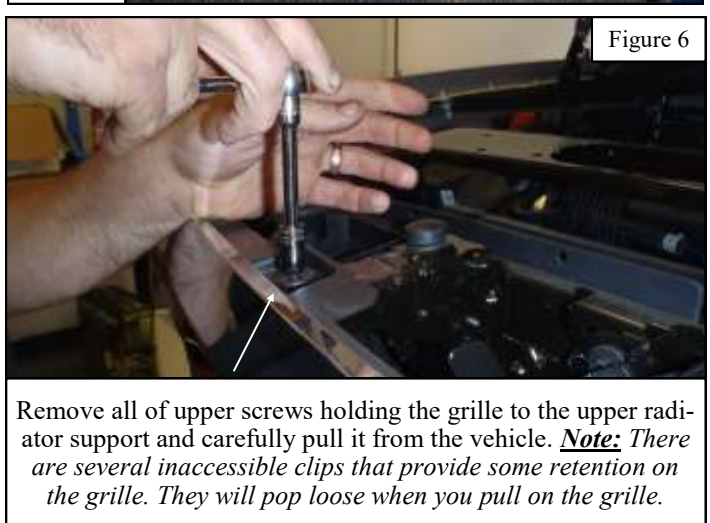


Figure 6

Remove all of upper screws holding the grille to the upper radiator support and carefully pull it from the vehicle. **Note:** There are several inaccessible clips that provide some retention on the grille. They will pop loose when you pull on the grille.

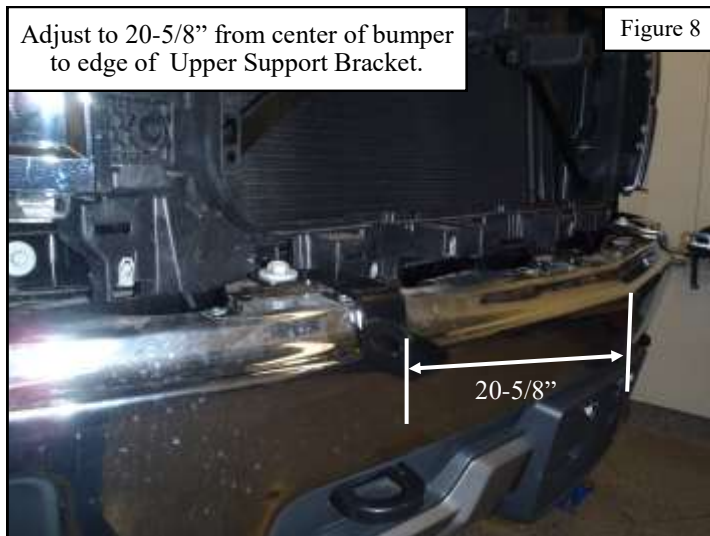


WESTIN

Westin Automotive Products, Inc.
320 W. Covina Blvd
San Dimas, Ca. 91773

Thank you for choosing Westin products
for additional installation assistance please call
Customer Service (800) 793-7846
www.westinautomotive.com

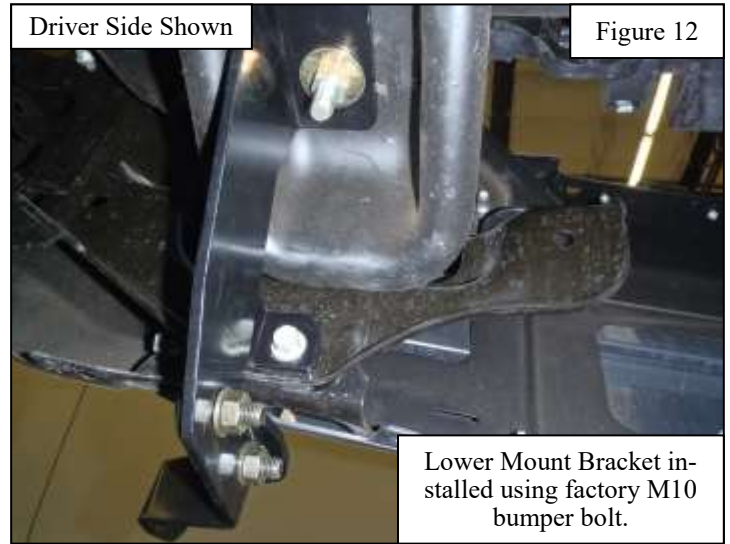
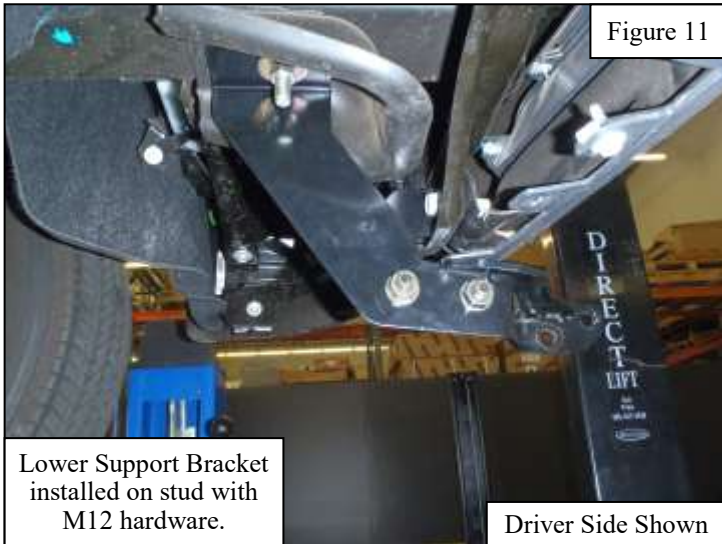
3. Starting on the driver side of the vehicle, remove the M12 bumper bolt and loosely install the Driver Side Upper Support Bracket (Item 8) as shown in **Figure 7**.
4. Repeat **Step 3** for the passenger side with Item 9.
5. Measure from the middle ridge of the bumper face channel to the outer edge of each support bracket. Adjust the brackets to approximately 20-5/8" (**Figure 8**). Tighten and torque the brackets to 50 - 55 ft-lbs.
6. Verify that the distance between the tightened upper support straps is less than or equal to the distance between the upper mount points on the grille guard. **Note:** *These brackets will be difficult to readjust once the filler panel has been re-installed.*



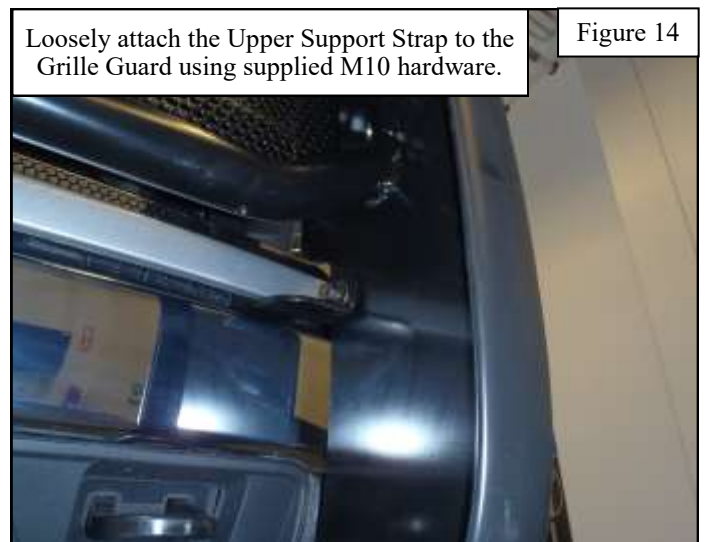
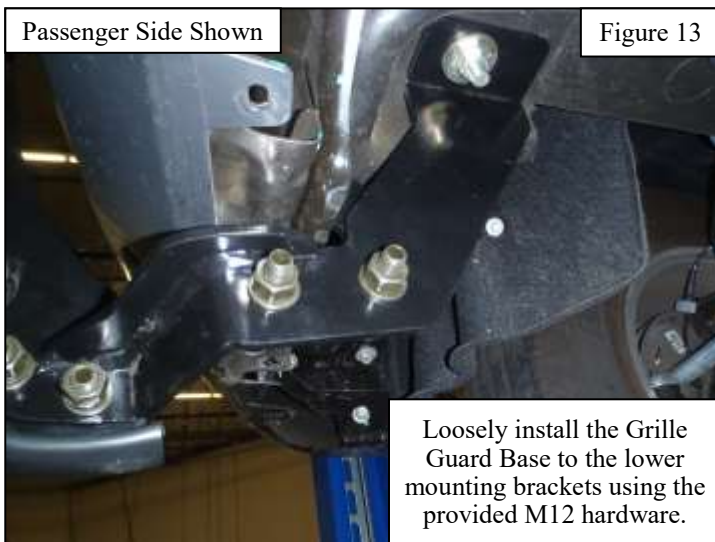
7. Re-install the grille and filler panel in the reverse order that they were removed.
8. From beneath the vehicle, slip the supplied M12 Nut Plates (Item 10) into the large holes in the bottom of the frame as shown in **Figure 9**. Make sure the flat portion of the Nut Plate is on the bottom of the frame and center the threaded portion in the middle of the hole.
9. Assemble the thick M12 washer (Item 11) and poly retainer (Item 15) on the M12 stud shown in **Figure 10**. Partially thread the assembly onto the Nut Plate that was previously placed inside the frame. The thick washer centers the stud in the middle of the larger hole. The poly retainer prevents the washer from falling off.



10. Loosely install the Lower Mounting Brackets (Items 6-7) on the studs using the supplied M12 hardware (Items 12-14) as shown in **Figure 11**. *Note: The lower plastic valance will either need to be trimmed or permanently removed in order to accomplish this step.*
11. Remove the lower M10 factory bumper bolts. Re-use them to loosely install the Lower Support Brackets as shown in **Figure 12**.



12. Loosely attach the Lower Support Brackets to the Lower Mounting Brackets (Items 4-5) using the supplied M12 hardware (Items 16-19).
13. With assistance loosely install the Grille Guard Base (Item 1) on the Lower Mounting Brackets using the supplied M12 hardware (Items 16-19) as shown in **Figure 13**.
14. Loosely bolt the Upper Support Bracket to the Grille Guard using the supplied M10 hardware (Items 20-23) as shown in **Figure 14**.



15. Locate and loosely install the HDX Driver and Passenger Wings using the provided M8 hardware (Items 24-26). See **Figure 15** for reference.
16. Align and adjust the Grille Guard Assembly and Wings as necessary. Tighten and torque hardware as specified; M8 hardware to 15-18 ft-lbs., M10 to 30-35 ft-lbs., M12 to 50-55 ft-lbs.

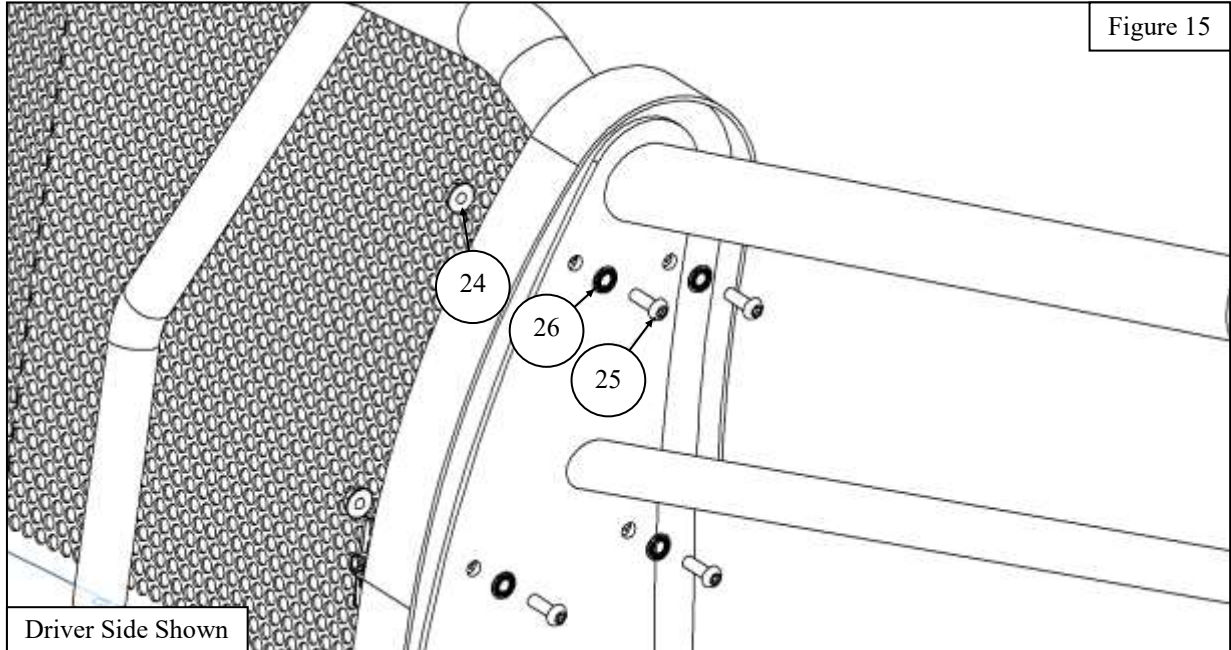


Figure 15

INSTALLATION COMPLETE



CARE INSTRUCTIONS

- REGULAR WAXING IS RECOMMENDED. DO NOT USE ANY TYPE OF POLISH OR WAX THAT MAY CONTAIN ABRASIVES.
- STAINLESS STEEL PRODUCTS CAN BE CLEANED WITH MILD SOAP AND WATER. STAINLESS STEEL POLISH SHOULD BE USED TO POLISH SMALL SCRATCHES.
- GLOSS BLACK FINISHES SHOULD BE CLEANED WITH MILD SOAP AND WATER.

WESTIN Westin Automotive Products, Inc.
320 W. Covina Blvd
San Dimas, Ca. 91773

Thank you for choosing Westin products
for additional installation assistance please call
Customer Service (800) 793-7846
www.westinautomotive.com



WARNING



Failure to follow these instructions could lead to death, personal injury, and / or property damage.

Failure to follow these instructions could lead to death, personal injury, and / or property damage.

FASTENERS:

All Westin supplied fasteners must be utilized and installed in accordance with the installation instructions and apply torque to the specifications as defined. **DOUBLE CHECK ALL FASTENERS BEFORE INITIAL USE, AND PERIODICALLY IN THE FUTURE TO ENSURE PROPER FUNCTION AND SAFETY.**

DRILLING:

Most Westin products do not require drilling for installation. If drilling is defined as required, use caution when drilling a vehicle. **FAILURE TO REVIEW AN AREA TO BE DRILLED MAY RESULT IN PERSONAL INJURY AND/OR INJURY TO OTHERS AS WELL AS VEHICLE DAMAGE.**

EYE PROTECTION:

ALWAYS WEAR SAFETY GLASSES OR GOGGLES DURING THE INSTALLATION PROCESS TO AVOID PERSONAL INJURY.

MAXIMUM TOWING/CARRYING CAPACITY: (if applicable)

The Westin Receiver Hitches will have a visible tow rating label affixed directly on the product. User should never exceed the vehicle manufacturers maximum tow and weight rating regardless of the capacity of the hitch. **FAILURE TO FOLLOW THESE GUIDELINES WILL VOID THE WESTIN WARRANTY AND MAY RESULT IN PERSONAL INJURY AND/OR INJURY TO OTHERS AS WELL AS VEHICLE DAMAGE.**

FOR CALIFORNIA RESIDENTS ONLY-PROP 65 WARNING:

Some products may contain chemicals such as DEHP, which can cause cancer, birth defects or other reproductive harm. For more info go to www.p65warnings.ca.gov



Westin Automotive Products, Inc.
320 W. Covina Blvd
San Dimas, Ca. 91773