



INSTALLATION INSTRUCTIONS

APPLICATION:

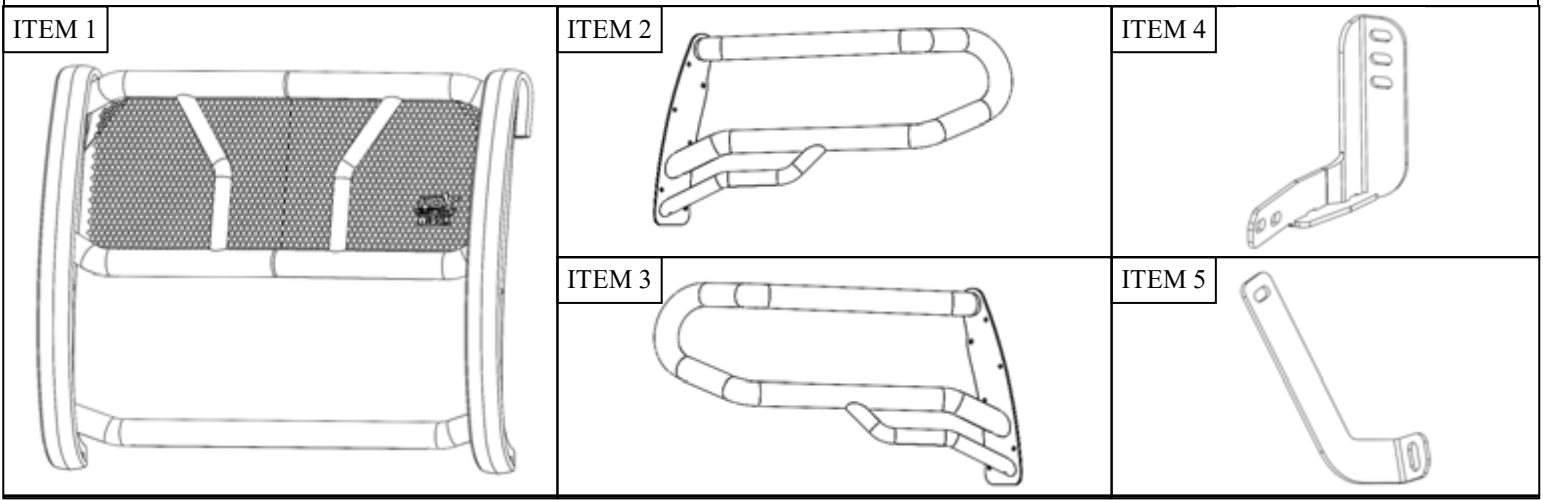
2014-2022 Toyota 4Runner SR5/Trial/TRD (Excl. Limited, Nightshade, & TRD Sport)

PART NUMBER:

57-23825

ITEM	QUANTITY	DESCRIPTION	TOOLS NEEDED
1	1	HDX GRILLE GUARD BASE	13MM SOCKET
2	1	HDX DRIVER WING	13MM WRENCH
3	1	HDX PASSENGER WING	14MM SOCKET
4	1	DRIVER SIDE LOWER MOUNTING BRACKET	14MM WRENCH
5	1	PASSENGER SIDE LOWER MOUNTING BRACKET	15MM SOCKET
6	1	DRIVER SIDE UPPER SUPPORT BRACKET	18MM SOCKET
7	1	PASSENGER SIDE UPPER SUPPORT BRACKET	BREAKER BAR
8	4	M12 HEX SOCKET BUTTON HEAD BOLT	FLAT HEAD SCREWDRIVER
9	4	M12 BELLVILLE WASHER	
10	4	M12 SERRATED FLANGE NUT	ALLEN WRENCH
11	2	M10 HEX SOCKET BUTTON HEAD BOLT	RATCHET
12	2	M10 BELLVILLE WASHER	TORQUE WRENCH
13	2	M10 SERRATED FLANGE NUT	
14	2	M8 HEX HEAD BOLT	
15	4	M8 FLAT WASHER	
16	2	M8 NYLOCK HEX NUT	
17	10	M8 HEX SOCKET BUTTON HEAD BOLT	
18	10	M8 BELLVILLE WASHER	
19	10	M8 SERRATED FLANGE HEX NUT	
20	2	SPACER	

ANTI-SEIZE LUBRICANT MUST BE USED ON ALL STAINLESS STEEL FASTENERS TO PREVENT THREAD DAMAGE AND GALLING



Westin Automotive Products, Inc.
320 Covina Blvd
San Dimas, Ca. 91773

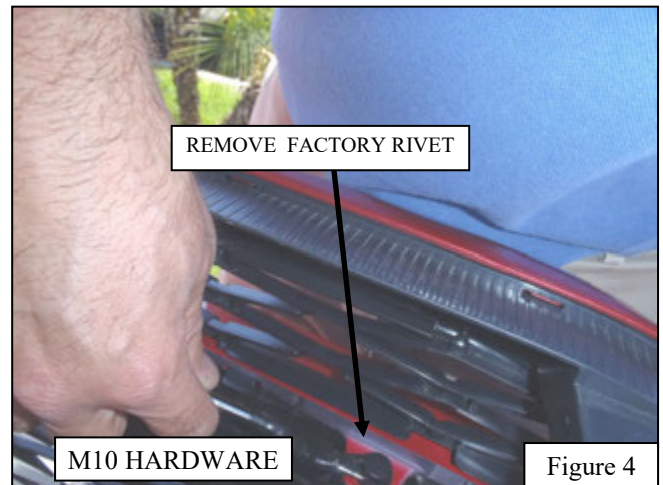
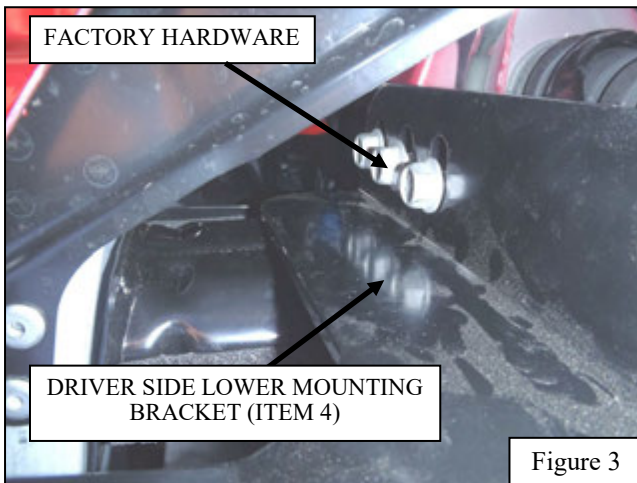
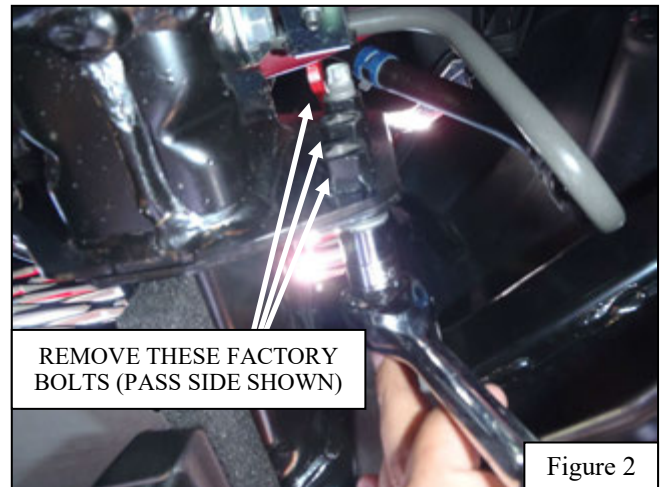
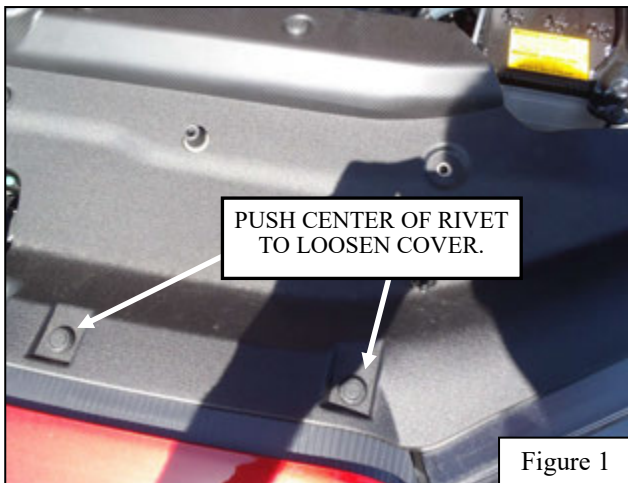
Thank You for choosing Westin products
For Additional installation assistance please call
Customer service (800) 793-7846

www.westinautomotive.com

DATE: 07/07/2022

PROCEDURE

1. Remove contents from box, verify if all parts listed are present and free from damage. Carefully read and understand all instructions before attempting installation.
Failure to identify damage before installation could lead to a rejection of any claim.
2. With the vehicle hood open, take off the plastic radiator cover by removing the plastic rivets. Push on the center of the rivets to loosen them. See **Figure 1** for reference.
3. From beneath the vehicle, remove the outer (3) factory frame horn bolts from each side of the frame. See **Figure 2** for reference.
4. Loosely attach the Lower Driver and Passenger Brackets (Items 4 & 5) to the frame using the existing factory hardware removed in **step 2**. See **Figure 3** for reference.
5. Remove the (2) plastic rivets holding the grille to the metal radiator support. They will not be re-used. See **Figure 4** for reference.



WESTIN

Westin Automotive Products, Inc.
320 Covina Blvd
San Dimas, Ca. 91773

6. Loosely install the Driver Upper Support Bracket (Item 6) using (1) metal spacer, (1) M8 hex head bolts, (2) M8 flat washers, and (1) M8 nylock hex nuts (Items 14-16, 20). See **Figure 5** for reference.
7. Repeat **step 6** to install the passenger upper support bracket.
8. With assistance, install the HDX Grille Guard Base to the brackets using the supplied M12 hardware on the lower brackets and M10 hardware on the upper support brackets. See **Figures 6 & 7** for reference. **Note:** For the mounting hole shared with the Upper Support Brackets, M10 hardware will be used.
9. Locate and mount the HDX Driver Wing (Item 2) to the Grille Guard Base using the supplied M8 hardware (Items 17-19). See **Figure 6** for reference.
10. Repeat for the HDX Passenger Wing (Item 3)
11. Align and adjust the HDX Grille Guard Base, HDX Wings, and mounting brackets as necessary. Tighten and torque all M12 hardware to 35-40 ft-lbs, M10 to 25-30 ft-lbs, and M8 to 8-10 ft-lbs.
12. Re-install the plastic radiator cover using the factory plastic rivets removed in **step 4**.

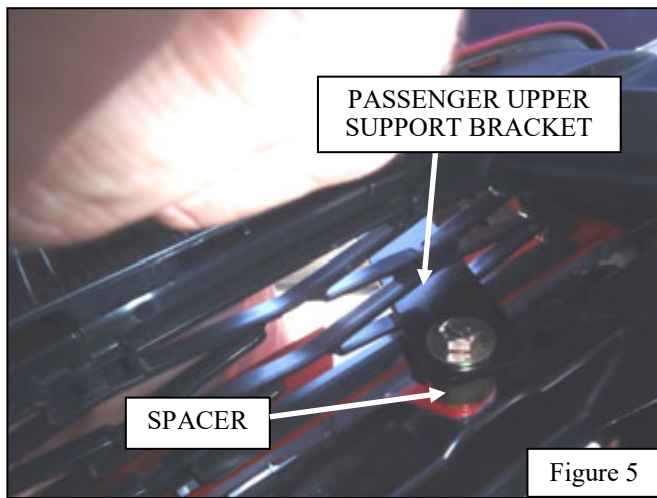


Figure 5

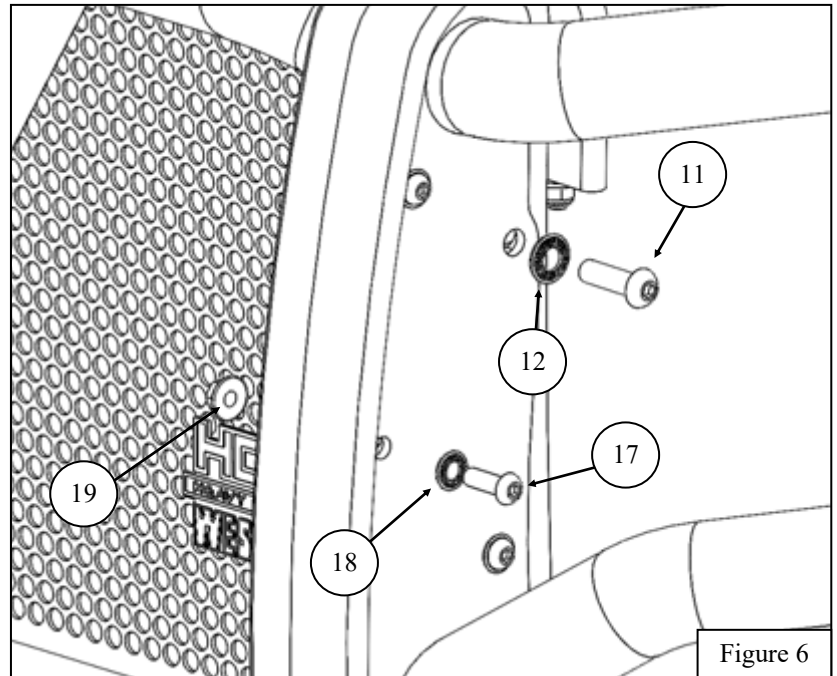


Figure 6

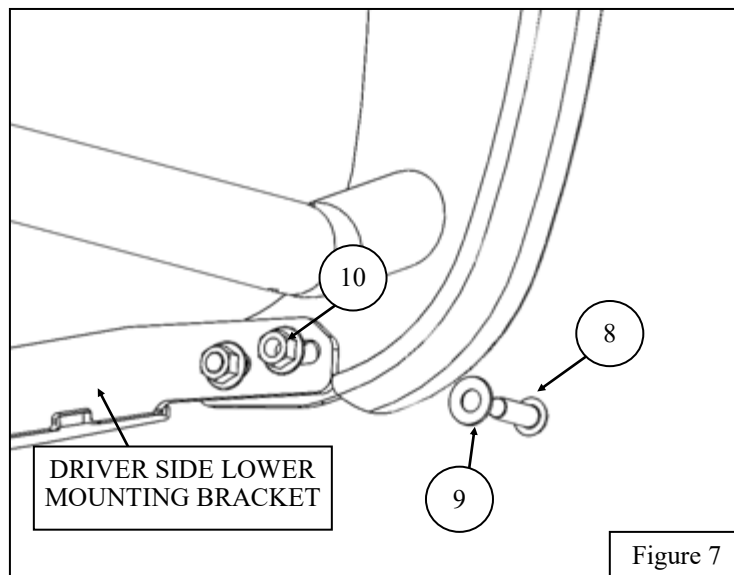


Figure 7

INSTALLATION COMPLETE



CARE INSTRUCTIONS

- REGULAR WAXING IS RECOMMENDED. DO NOT USE ANY TYPE OF POLISH OR WAX THAT MAY CONTAIN ABRASIVES.
- STAINLESS STEEL PRODUCTS CAN BE CLEANED WITH MILD SOAP AND WATER. STAINLESS STEEL POLISH SHOULD BE USED TO POLISH SMALL SCRATCHES.
- GLOSS BLACK FINISHES SHOULD BE CLEANED WITH MILD SOAP AND WATER.

WESTIN

Westin Automotive Products, Inc.
320 Covina Blvd
San Dimas, Ca. 91773

Thank You for choosing Westin products
For Additional installation assistance please call
Customer service (800) 793-7846
www.westinautomotive.com
DATE: 07/07/2022



WARNING



Failure to follow these instructions could lead to death, personal injury, and / or property damage.

Failure to follow these instructions could lead to death, personal injury, and / or property damage.

FASTENERS:

All Westin supplied fasteners must be utilized and installed in accordance with the installation instructions and apply torque to the specifications as defined. **DOUBLE CHECK ALL FASTENERS BEFORE INITIAL USE, AND PERIODICALLY IN THE FUTURE TO ENSURE PROPER FUNCTION AND SAFETY.**

DRILLING:

Most Westin products do not require drilling for installation. If drilling is defined as required, use caution when drilling a vehicle. **FAILURE TO REVIEW AN AREA TO BE DRILLED MAY RESULT IN PERSONAL INJURY AND/OR INJURY TO OTHERS AS WELL AS VEHICLE DAMAGE.**

EYE PROTECTION:

ALWAYS WEAR SAFETY GLASSES OR GOGGLES DURING THE INSTALLATION PROCESS TO AVOID PERSONAL INJURY.

MAXIMUM TOWING/CARRYING CAPACITY: (if applicable)

The Westin Receiver Hitches will have a visible tow rating label affixed directly on the product. User should never exceed the vehicle manufacturers maximum tow and weight rating regardless of the capacity of the hitch. **FAILURE TO FOLLOW THESE GUIDELINES WILL VOID THE WESTIN WARRANTY AND MAY RESULT IN PERSONAL INJURY AND/OR INJURY TO OTHERS AS WELL AS VEHICLE DAMAGE.**

FOR CALIFORNIA RESIDENTS ONLY-PROP 65 WARNING:

Some products may contain chemicals such as DEHP, which can cause cancer, birth defects or other reproductive harm. For more info go to www.p65warnings.ca.gov



Westin Automotive Products, Inc.
320 Covina Blvd
San Dimas, Ca. 91773

Thank You for choosing Westin products
For Additional installation assistance please call
Customer service (800) 793-7846
www.westinautomotive.com