

INSTALLATION INSTRUCTIONS

HDX Modular Grille Guard

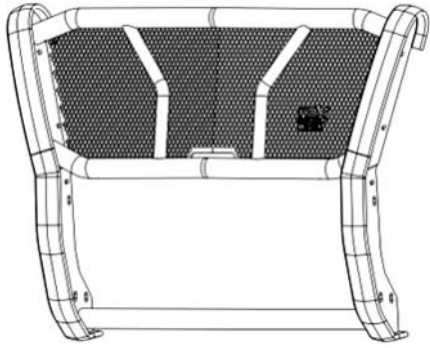


APPLICATION:
Nissan Frontier 2022
PART NUMBER:
57-24075

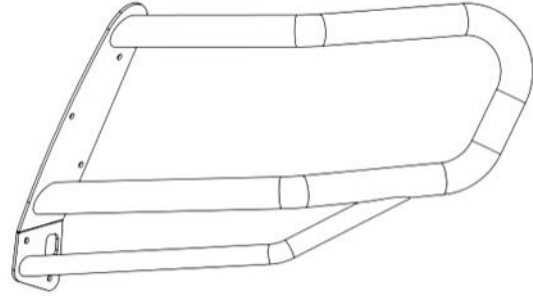
CONTENT			
ITEM	QUANTITY	DESCRIPTION	TOOLS NEEDED
1	1	HDX GRILLE GUARD BASE	19MM SOCKET
2	1	HDX DRIVER WING	17MM SOCKET
3	1	HDX PASSENGER WING	RATCHET
4,5	2	LOWER BRACKET, DRIVER (4) AND PASSENGER (5)	TORQUE WRENCH
6,7	2	UPPER BRACKET, DRIVER (6) AND PASSENGER (7)	ALLEN WRENCH
8	4	M12-1.25 HEX HEAD BOLT (YELLOW ZINC)	
9	8	M12 SPLIT LOCK WASHER (YELLOW ZINC)	
10	8	M12 FLAT WASHER (YELLOW ZINC)	
11	2	M12-1.75 HEX HEAD BOLT (YELLOW ZINC)	
12	2	M10 HEX HEAD BOLT (YELLOW ZINC)	
13	2	M10 SPLIT LOCK WASHER (YELLOW ZINC)	
14	2	M10 FLAT WASHER (YELLOW ZINC)	
15	2	M10 SERRATED FLANGE HEX NUT (YELLOW ZINC)	
16	2	M12 HEX NUT (YELLOW ZINC)	
17	2	M12 BOLT PLATE	
18	2	M12 PLASTIC RETAINER SQUARE	
19	4	M12 BUTTON HEAD BOLT (BLACK ZINC)	
20	4	M12 BELLEVILLE WASHER (BLACK ZINC)	
21	4	M12 SERRATED FLANGE NUT (BLACK ZINC)	
22	2	M10 BUTTON HEAD BOLT (BLACK ZINC)	
23	2	M10 BELLEVILLE WASHER (BLACK ZINC)	
24	2	M10 SERRATED FLANGE NUT (BLACK ZINC)	
25	10	M8 BUTTON HEAD BOLT (BLACK ZINC)	
26	10	M8 BELLEVILLE WASHER (BLACK ZINC)	
27	10	M8 SERRATED FLANGE NUT (BLACK ZINC)	
28	1	M6 BUTTON HEAD BOLT (BLACK ZINC)	
29	1	M6 SPLIT LOCK WASHER (BLACK ZINC)	
30	1	M6 FLAT WASHER (BLACK ZINC)	

ANTI-SEIZE LUBRICANT MUST BE USED ON ALL STAINLESS STEEL FASTENERS TO PREVENT THREAD DAMAGE AND GALLING

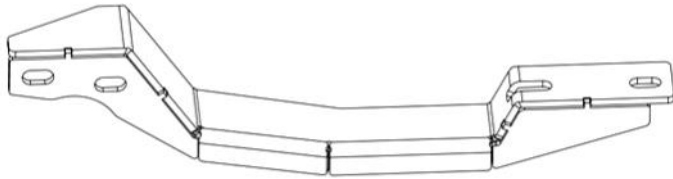
ITEM 1



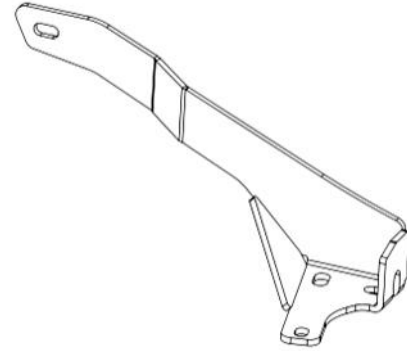
ITEM 2



ITEM 4



ITEM 6



PROCEDURE

1. Remove contents from box, verify if all parts listed are present and free from damage.
Carefully read and understand all instructions before attempting installation.
Failure to identify damage before installation could lead to a rejection of any claim.

2. Starting on the bottom of the vehicle's front bumper, remove the plastic clips and OEM hardware. See **Figure 1 & 2** for reference.
3. Locate and remove the two plastic retaining clips in the inner wheel well of the vehicle as shown in **Figure 3**.
4. Start to carefully pry on the retaining clips shown in **Figure 4 & 5** along the top of the fascia trim of the vehicle in order to remove the fascia trim. **Note:** *The plastic retainers need to be removed carefully in order to be able to reinstall the fascia trim.*

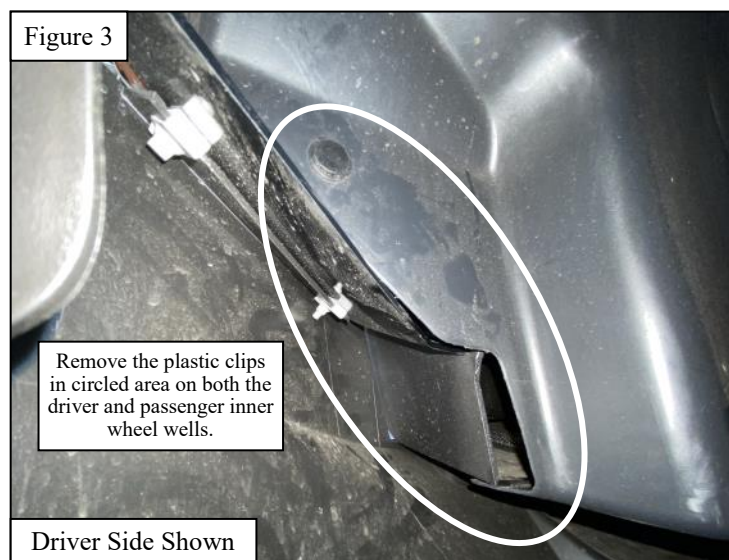
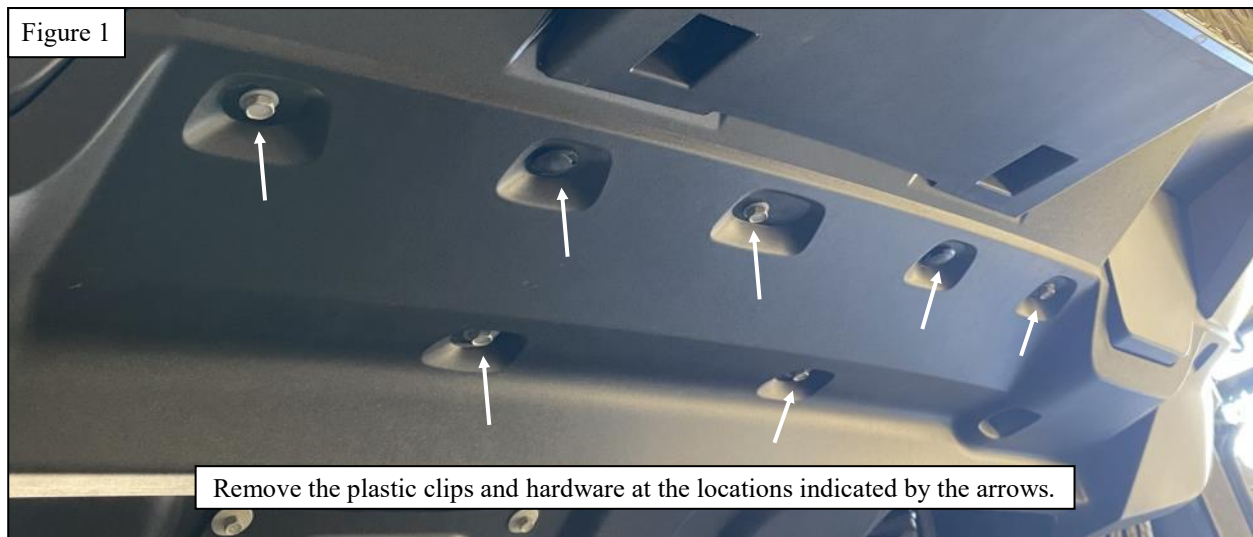


Figure 4

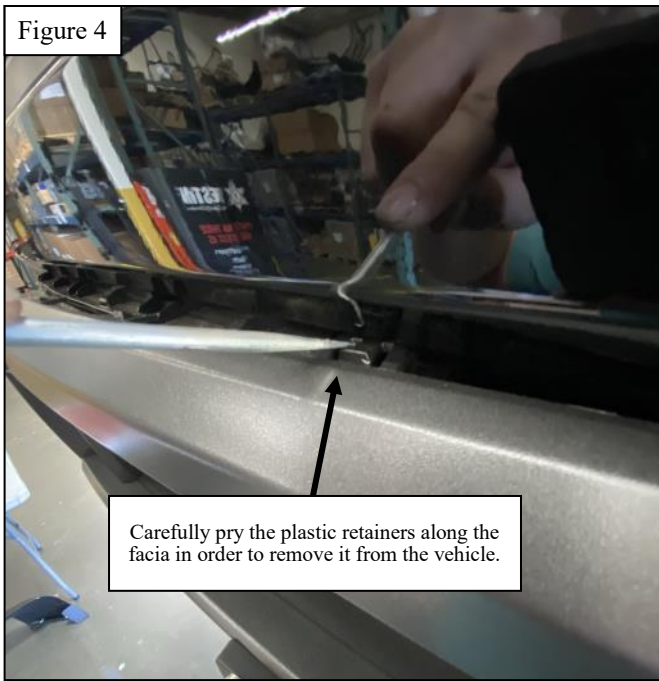
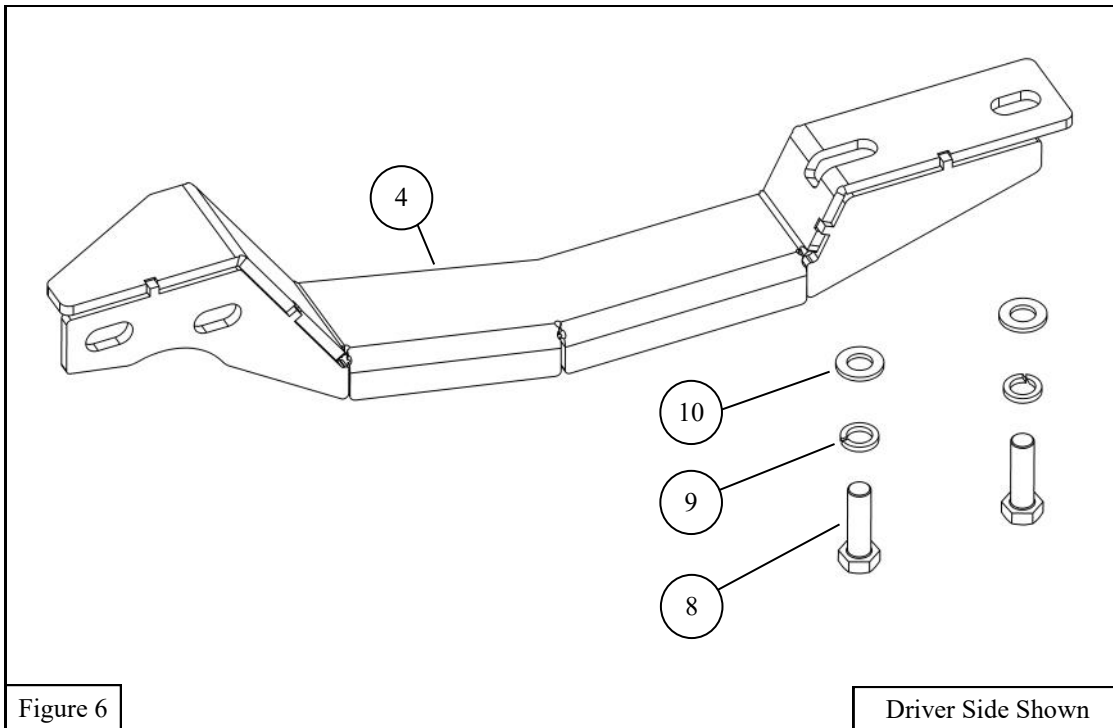


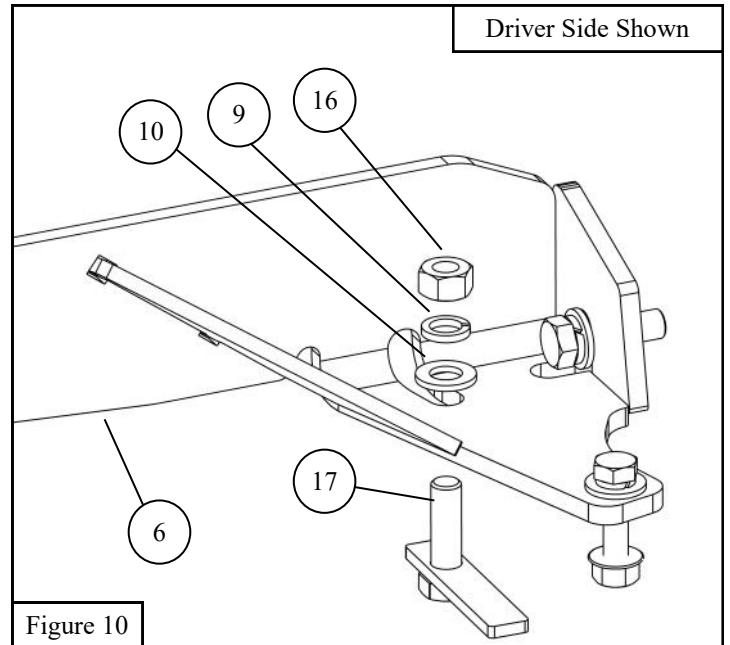
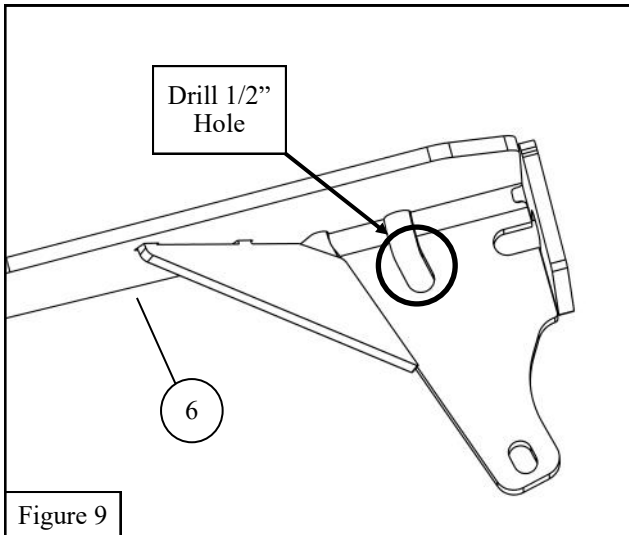
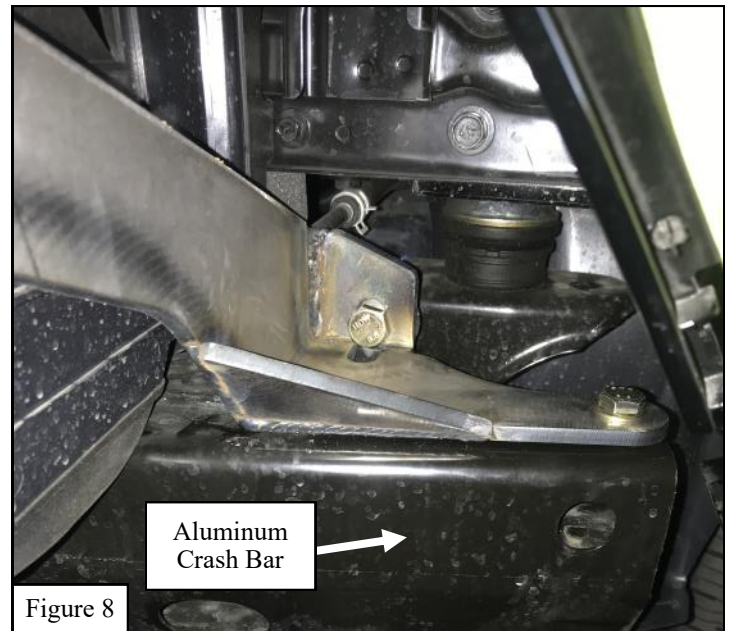
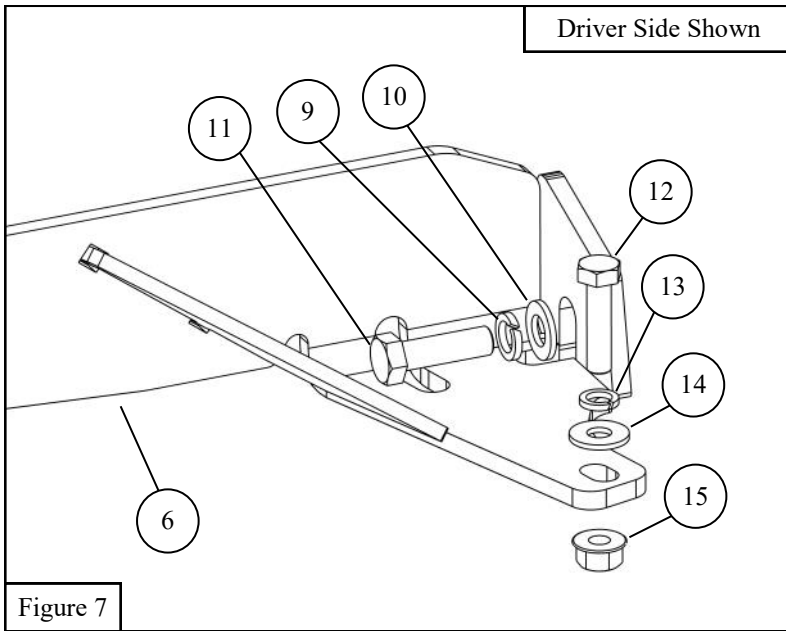
Figure 5



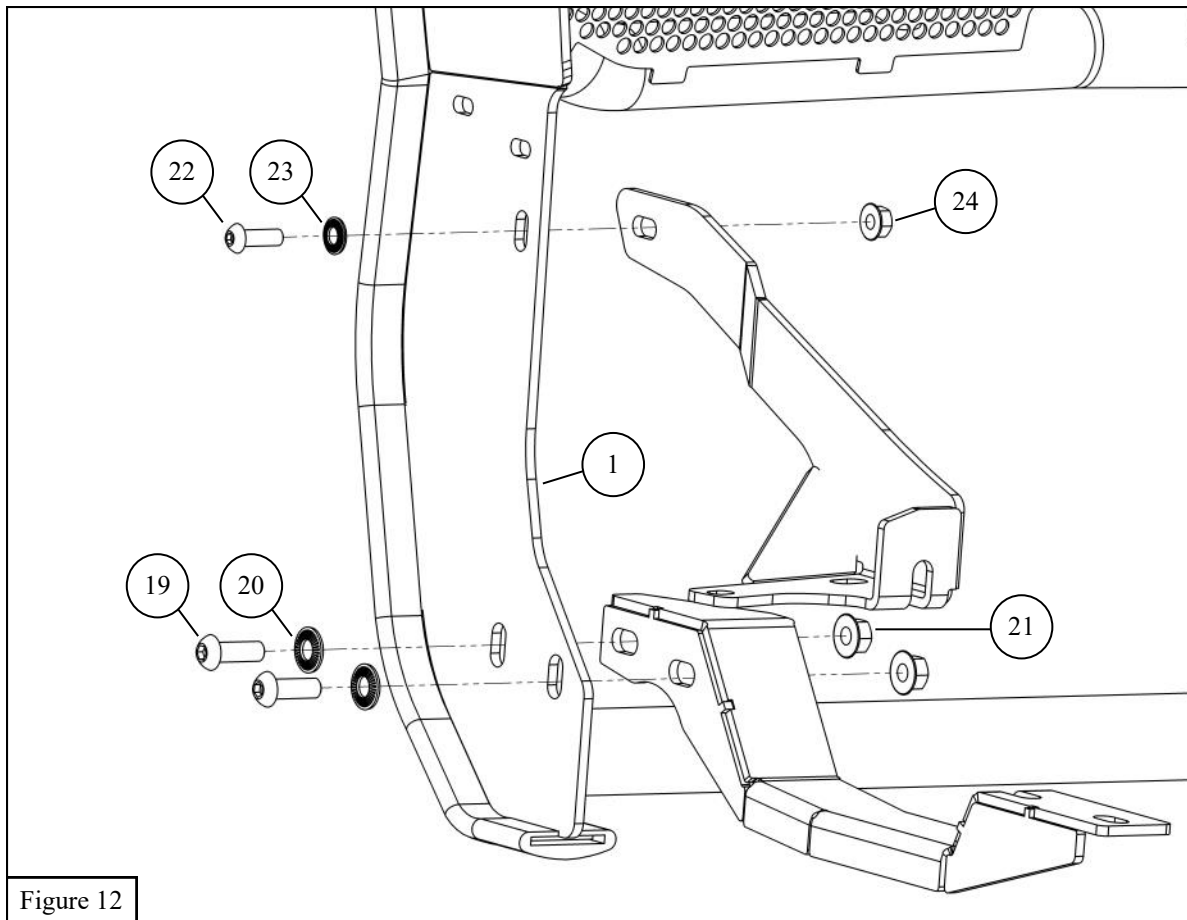
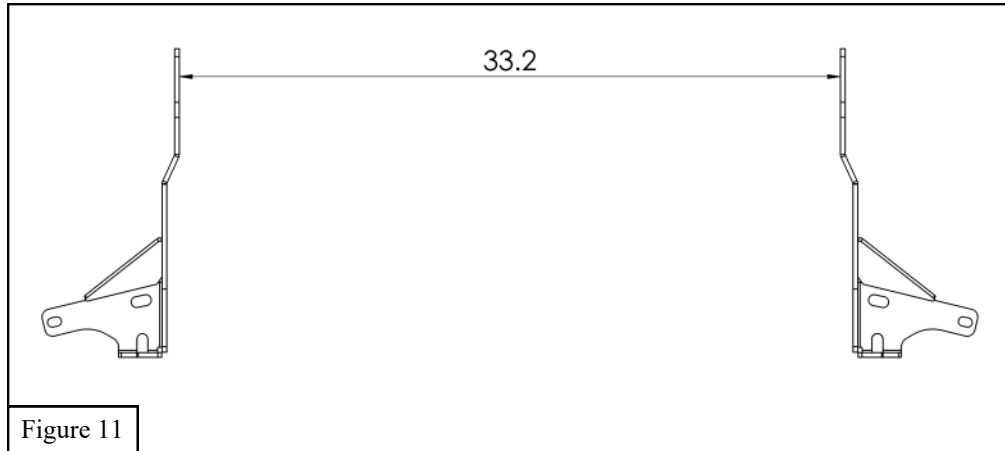
- Using the supplied M12-1.25 bolts (item 8), M12 split lock washers (item 9), and M12 Flat Washers (item 10), loosely attach the driver side lower bracket (item 4) to the frame tow hook mounting locations on the under side of the frame.
Note: Ensure that the fine thread M12 hardware is used.



6. Attach the driver upper bracket (item 6). See **Figures 7-8**.
Note: Ensure that the course thread M12 hardware is used.
7. Using the upper bracket as a template, mark a location to drill a 1/2" hole in the aluminum crash bar. See **Figure 9**.
8. Remove the upper bracket.
9. Drill a 1/2" hole in the location marked in **Step 7**.
10. Loosely attach the upper bracket using the same hardware from **Step 6**.
11. Use a M12 fish wire to pull a M12 bolt plate through the aluminum crash bar and use a M12 plastic retainer square to hold it in place.
12. Loosely install the remaining M12 hardware (items 10,9, and 16). See **Figure 10**.
13. Repeat **Steps 5-12** on the passenger side of the vehicle to install the passenger side lower bracket (item 5) and the passenger upper bracket (item 7).



14. Adjust the support brackets so that distance between the inner surfaces is approximately 33.2 inches. See **Figure 11**.
15. Tighten and torque the support bracket M10 hardware to 25-28 ft-lbs, and the M12 hardware to 50-55 ft-lbs.
16. Reinstall the front bumper fascia using the OEM hardware. Trim fascia as needed.
17. Loosely attach the grille guard base (item 1) to the brackets using the black zinc M10 and M12 hardware (items 19-24).



18. Loosely attach the HDX driver wing (item 2) and HDX passenger wing (item 3) to the grille guard base using the M8 hardware (items 25-27).
19. Tighten and torque all hardware as specified: M8 hardware to 15-18 ft.-lbs., M10 hardware to 35-38 ft.-lbs., and M12 hardware to 58-60 ft.-lbs.
20. The M6 hardware (items 28-30) can be used to attach the Westin license plate relocater (P# 32-0055) to the grille guard.

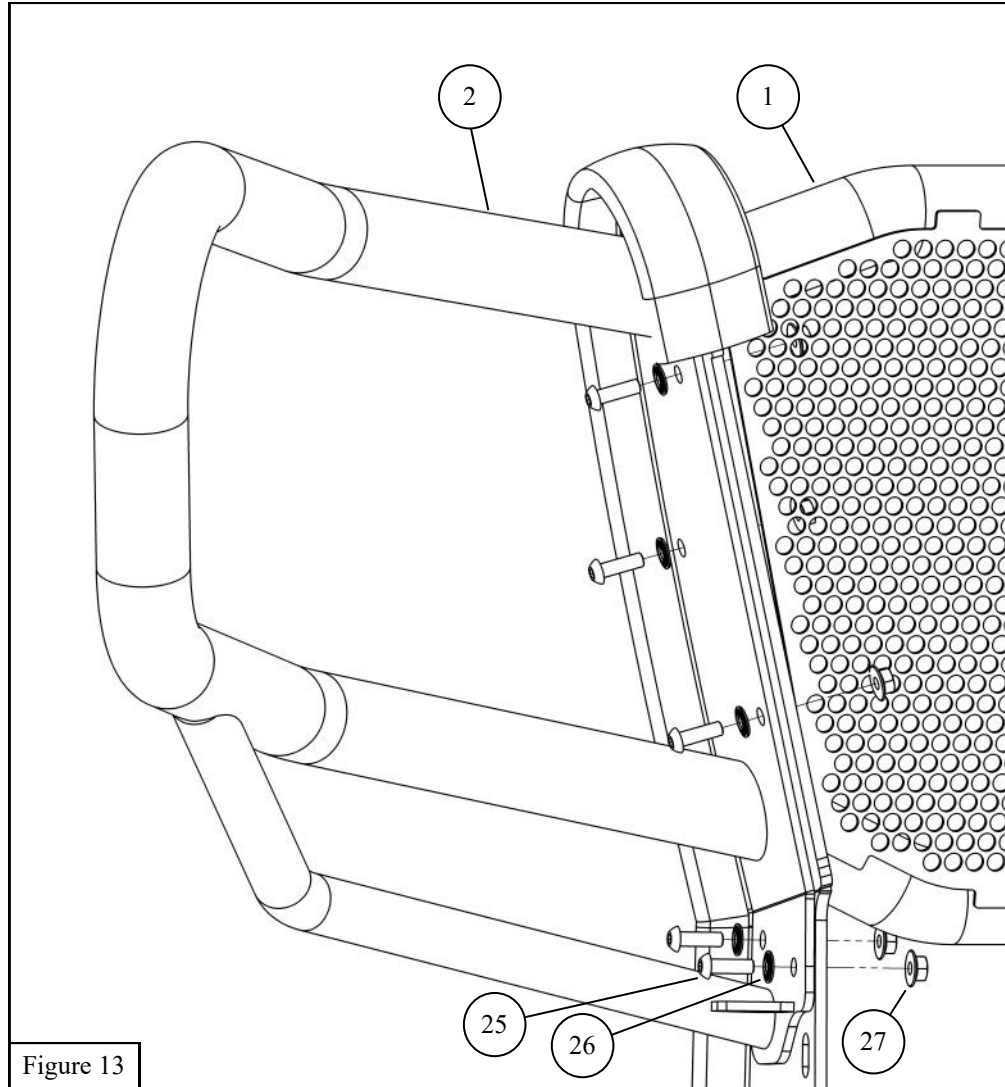


Figure 13

INSTALLATION COMPLETE



WESTIN Westin Automotive Products, Inc.
320 W. Covina Blvd
San Dimas, Ca. 91773

P.N.: 75-5724075-RevA

ECO #: W21-0053

8

Thank you for choosing Westin products
for additional installation assistance please call
Customer Service (800) 793-7846
www.westinautomotive.com
8/8/2022



WARNING



Failure to follow these instructions could lead to death, personal injury, and / or property damage.

Failure to follow these instructions could lead to death, personal injury, and / or property damage.

FASTENERS:

All Westin supplied fasteners must be utilized and installed in accordance with the installation instructions and apply torque to the specifications as defined. **DOUBLE CHECK ALL FASTENERS BEFORE INITIAL USE, AND PERIODICALLY IN THE FUTURE TO ENSURE PROPER FUNCTION AND SAFETY.**

DRILLING:

Most Westin products do not require drilling for installation. If drilling is defined as required, use caution when drilling a vehicle. **FAILURE TO REVIEW AN AREA TO BE DRILLED MAY RESULT IN PERSONAL INJURY AND/OR INJURY TO OTHERS AS WELL AS VEHICLE DAMAGE.**

EYE PROTECTION:

ALWAYS WEAR SAFETY GLASSES OR GOGGLES DURING THE INSTALLATION PROCESS TO AVOID PERSONAL INJURY.

MAXIMUM TOWING/CARRYING CAPACITY: (if applicable)

The Westin Receiver Hitches will have a visible tow rating label affixed directly on the product. User should never exceed the vehicle manufacturers maximum tow and weight rating regardless of the capacity of the hitch. **FAILURE TO FOLLOW THESE GUIDELINES WILL VOID THE WESTIN WARRANTY AND MAY RESULT IN PERSONAL INJURY AND/OR INJURY TO OTHERS AS WELL AS VEHICLE DAMAGE.**

FOR CALIFORNIA RESIDENTS ONLY-PROP 65 WARNING:

Some products may contain chemicals such as DEHP, which can cause cancer, birth defects or other reproductive harm. For more info go to www.p65warnings.ca.gov



Westin Automotive Products, Inc.
320 W. Covina Blvd
San Dimas, Ca. 91773