

# INSTALLATION INSTRUCTIONS



## HDX GRILLE GUARD WINCH TRAY, & MAX WINCH TRAY

**APPLICATION:**

2015-2021 Ford F-150/ F-150 XL SSV

**PART NUMBER:**

Winch Tray Kit: 46-23835 (2015-2021)

Grille Guard Kit: 57-93835A (2015-2020)

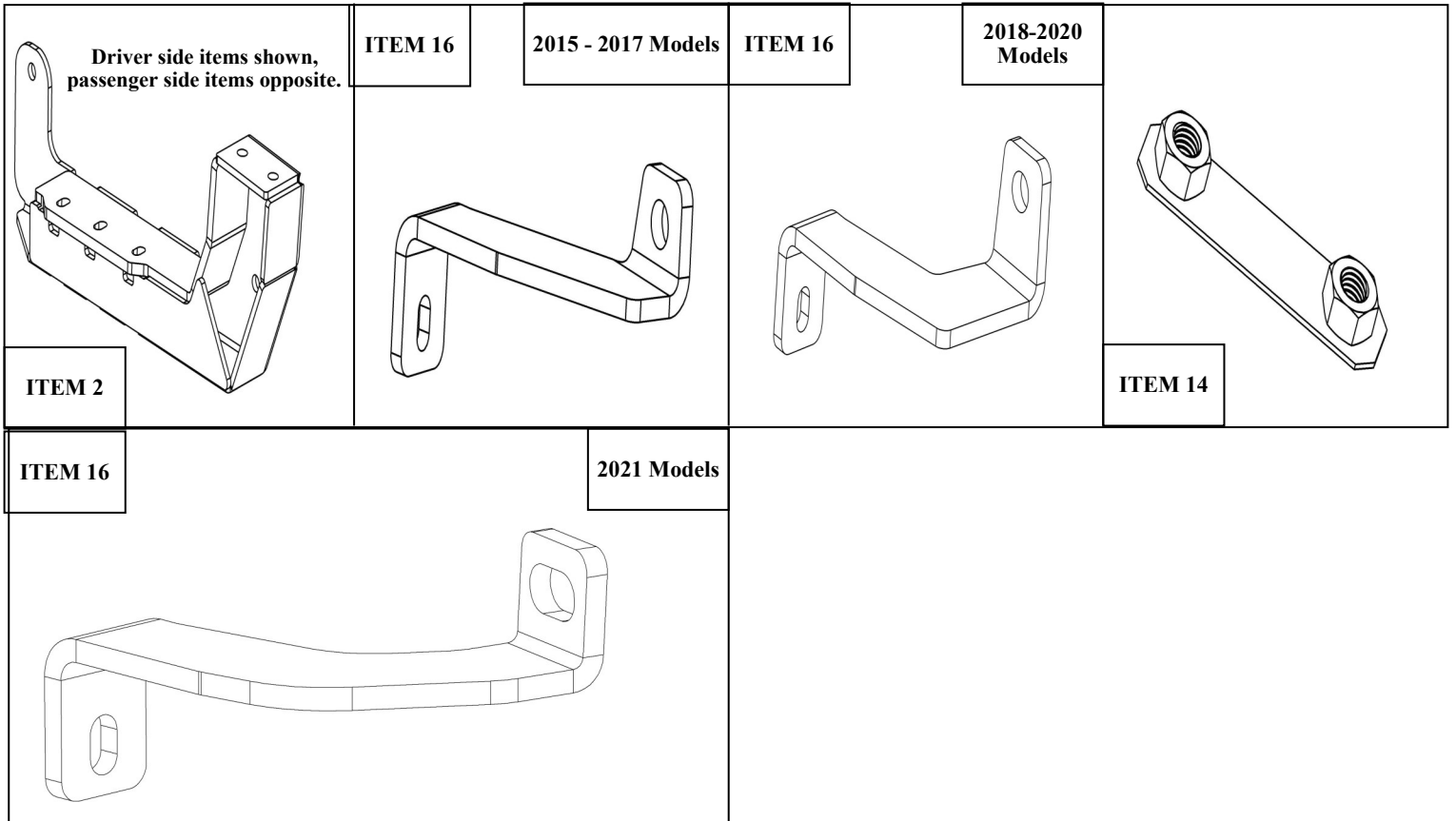
Grille Guard Kit: 57-94065A (2021)

Kit Number: 57-93835 (2015-2020)  
Kit Number: 57-94065 (2021)

ITEM	QUANTITY	DESCRIPTION	TOOLS NEEDED
1	1	WINCH TRAY (46-23835)	14MM SOCKET
2	1	LOWER MOUNTING BRACKET DRIVERS SIDE	15MM SOCKET
3	1	LOWER MOUNTING BRACKET PASSENGER SIDE	18MM SOCKET
4	2	M12 HEX NUT (YELLOW ZINC)	UTILITY KNIFE
5	6	SHORT M12 HEX HEAD CAP SCREW (YELLOW ZINC)	PRY TOOL
6	8	M12 24MM FLAT WASHER (YELLOW ZINC)	ALLEN WRENCH
7	8	M12 SPLIT LOCK WASHER (YELLOW ZINC)	SOCKET EXT.
8	2	LONG M12 HEX HEAD CAP SCREW (YELLOW ZINC)	RATCHET
9	2	M12 44MM FLAT WASHER (YELLOW ZINC)	TORQUE WRENCH
10	4	M12 HEX NUT (BLACK ZINC)	
11	4	SHORT M12 HEX HEAD CAP SCEW (BLACK ZINC)	
12	8	M12 24MM FLAT WASHER (BLACK ZINC)	
13	4	M12 SPLIT LOCK WASHER (BLACK ZINC)	
14	4	DOUBLE NUT PLATE	
15	1	GRILLE GUARD ASSEMBLY (57-93785A, 57-94065A)	
HARDWARE ITEMS BELOW ARE INCLUDED WITH THE GRILLE GUARD KIT			
16	2	UPPER SUPPORT BRACKET DRIVERS SIDE	
17	2	UPPER SUPPORT BRACKET PASSENGER SIDE	
18	2	M8 HEX HEAD CAP SCREW (YELLOW ZINC)	
19	2	M8 FLAT WASHER (YELLOW ZINC)	
20	2	M8 SPLIT LOCK WASHER (YELLOW ZINC CHROMATE)	
21	6	M12 HEX SOCKET BUTTON HEAD SCREW (BLACK ZINC)	
22	6	M12 BELLVILLE WASHER (BLACK ZINC)	
23	6	M12 SERRATED FLANGE NUT (BLACK ZINC)	
<b>ANTI-SEIZE LUBRICANT MUST BE USED ON ALL STAINLESS STEEL FASTENERS TO PREVENT THREAD DAMAGE AND GALLING</b>			

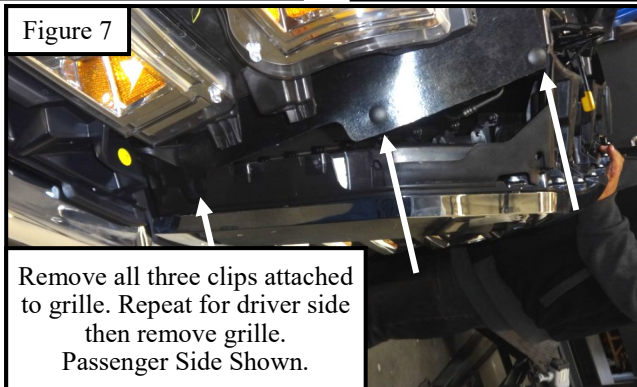
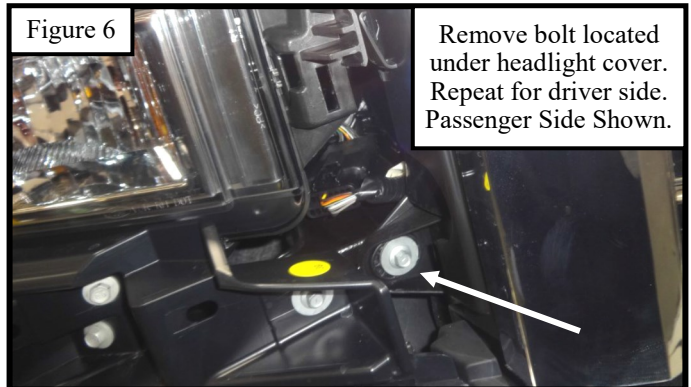
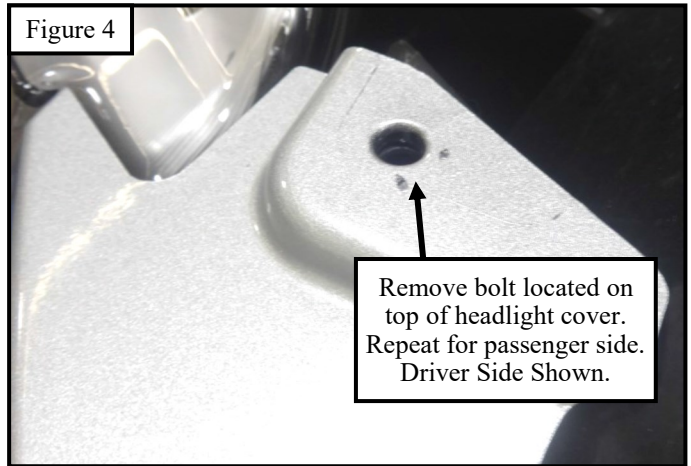
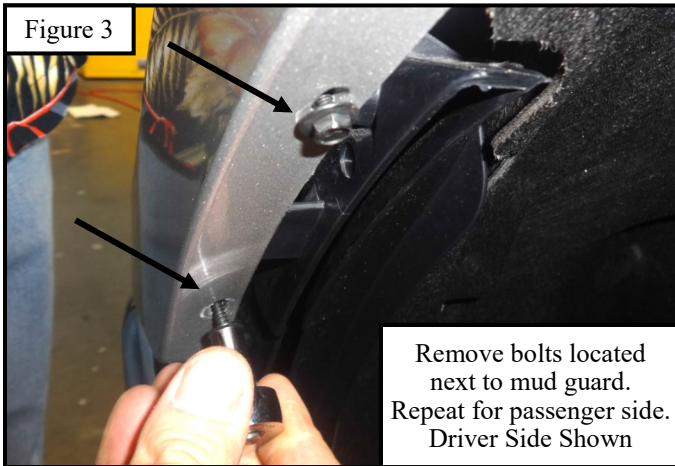
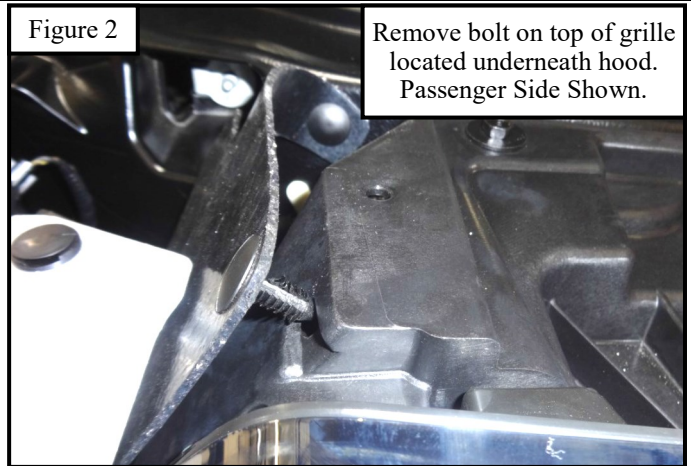
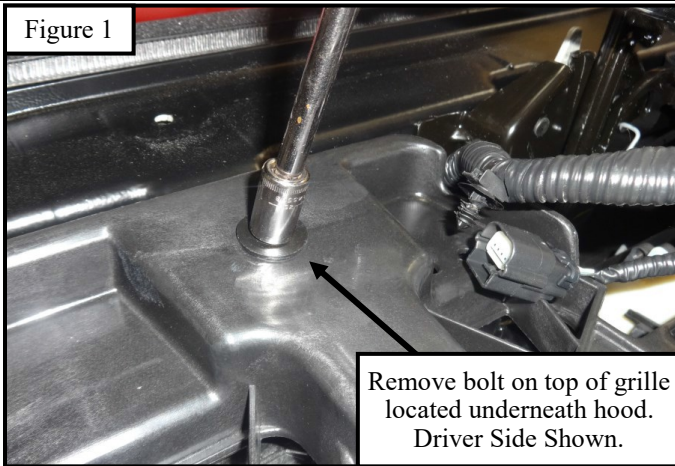
**PROCEDURE**

1. Remove contents from box, verify if all parts listed are present and free from damage.  
Carefully read and understand all instructions before attempting installation.  
**Failure to identify damage before installation could lead to a rejection of any claim.**

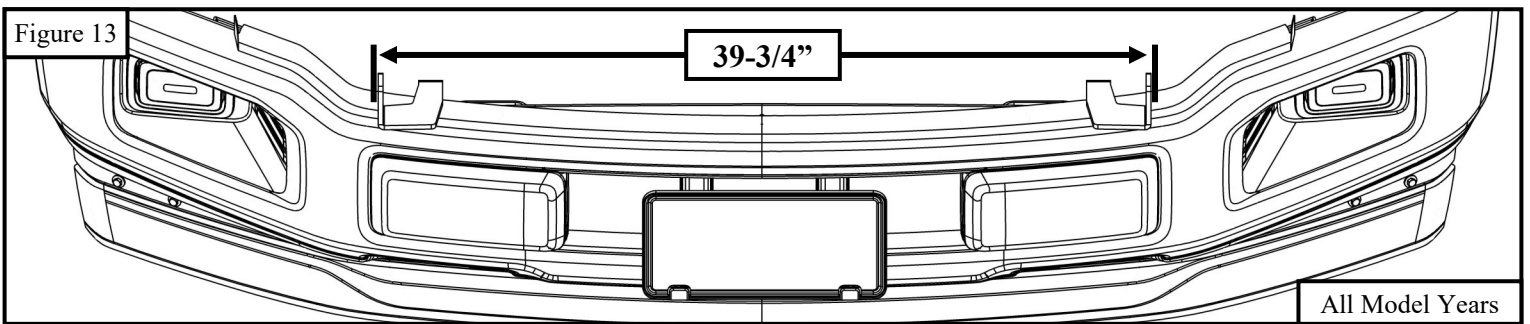
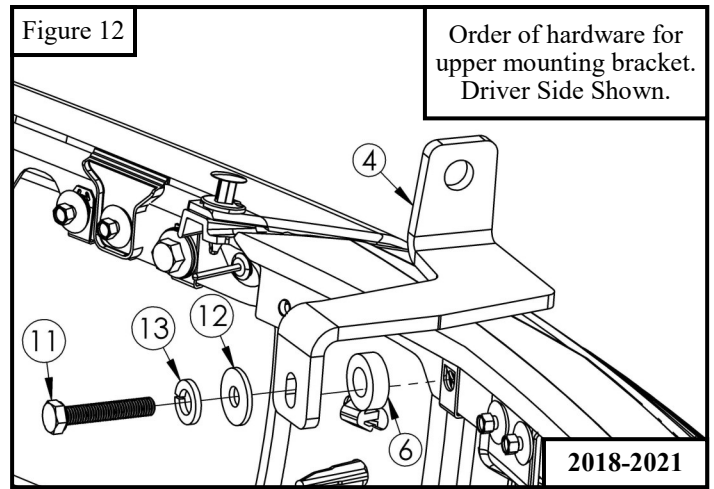
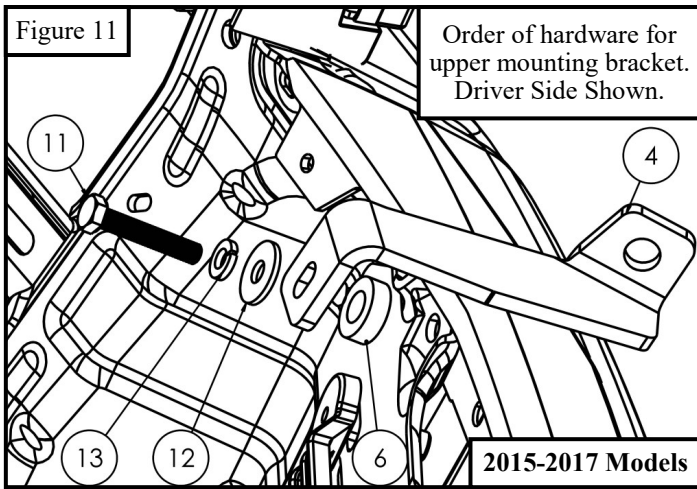
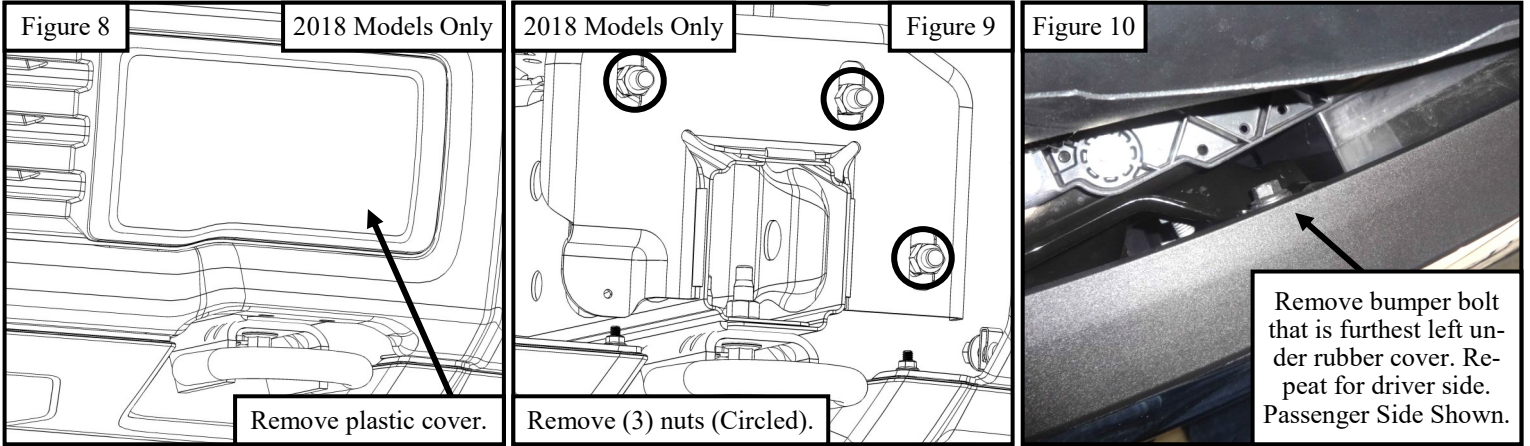


**FOR GRILLE GUARD INSTALLATION USE ONLY (Steps 2-5 / 14-15): Skip to Step 6 if not installing Grille Guard.**

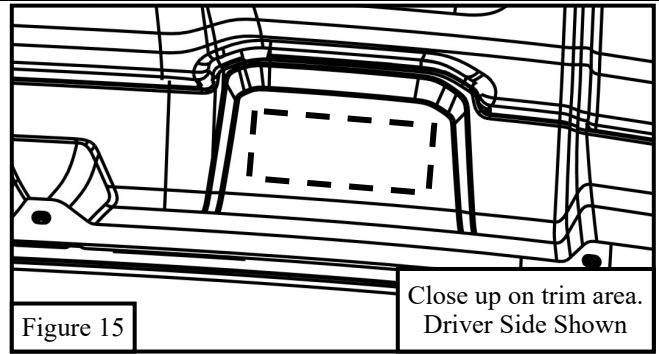
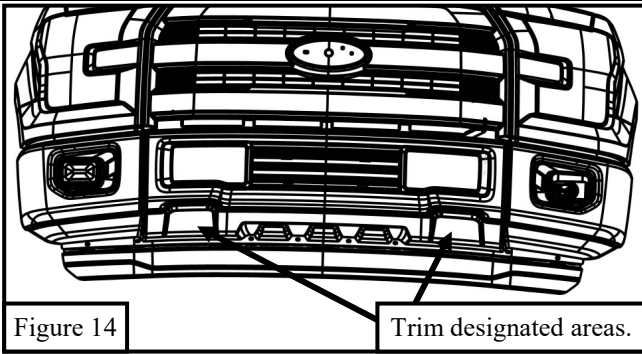
2. Remove all factory hardware and clips attached to grille, then remove grille. See **Figures 1-7.**



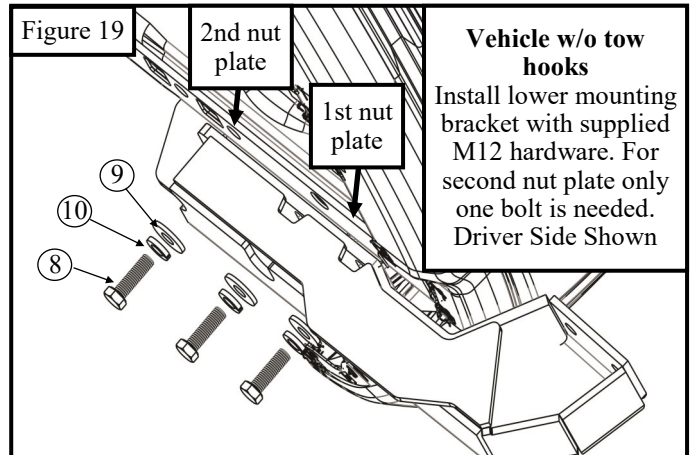
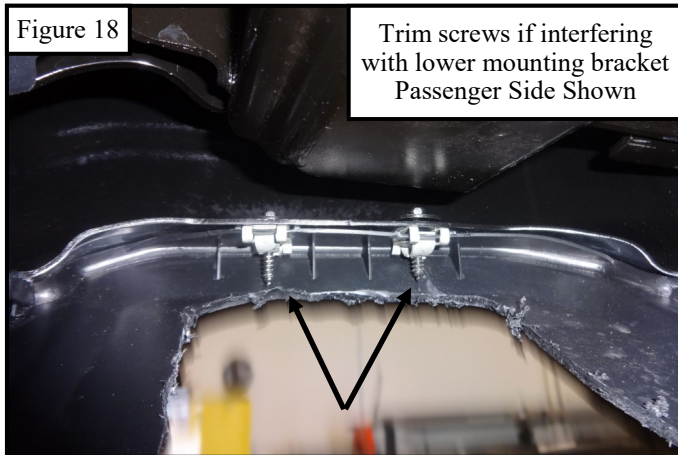
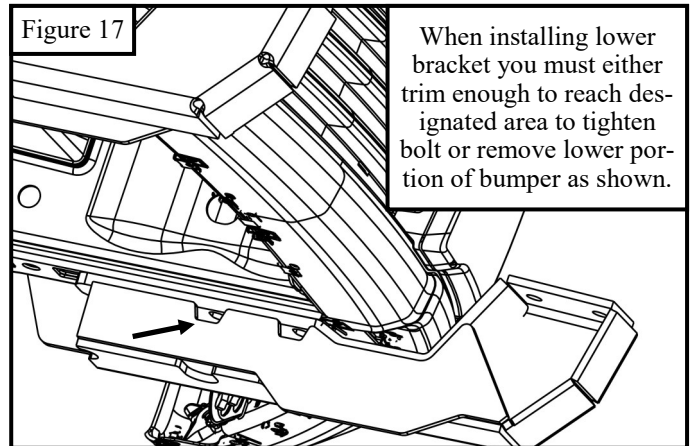
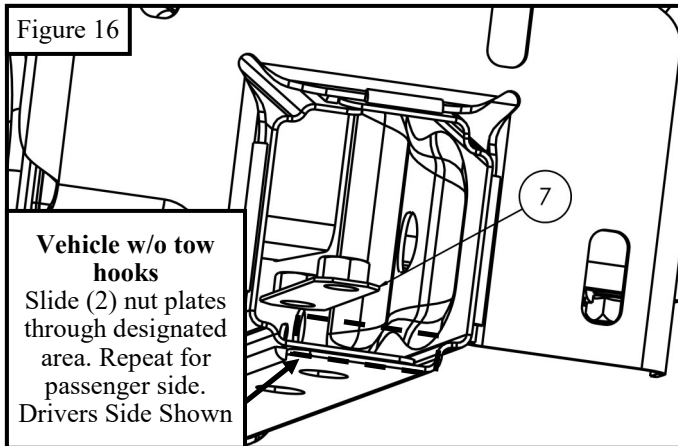
3. **For 2018 Models Only:** Remove plastic covers that are located above the location of the tow hooks to expose (3) nuts on each side. Remove the nuts in order to remove the front bumper. See **Figures 8-9**.
4. Remove factory bumper bolt see **Figure 10**. Install upper mounting bracket using supplied M8 hardware. Make sure the brackets are approximately 39-3/4" apart from outer bracket flange. For the 2018-2021 model, make sure to lay the bracket firmly on top of the rubber strip that is on top of the bumper. Tighten M8 hardware to 15 ft-lbs. See **Figures 11-13**. **Note: Figure 11** for 2015-2017 models and **Figure 12** for 2018-2021 models.
5. Reinstall grille, headlight covers, and any other parts removed in the reverse order of the install instructions.



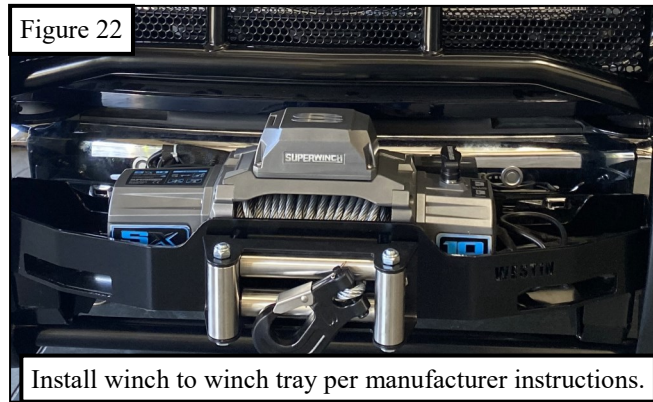
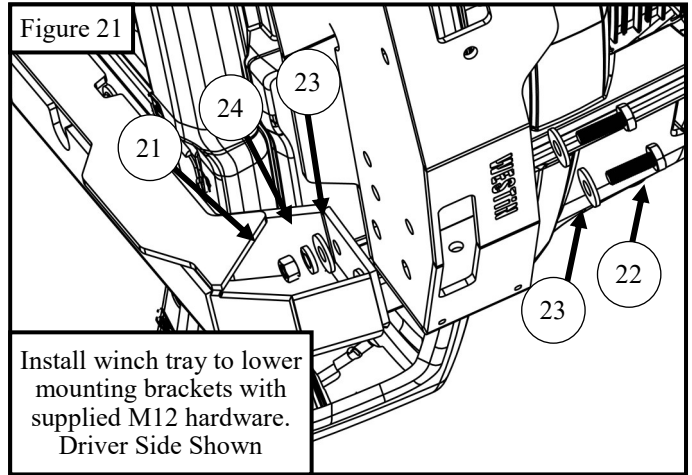
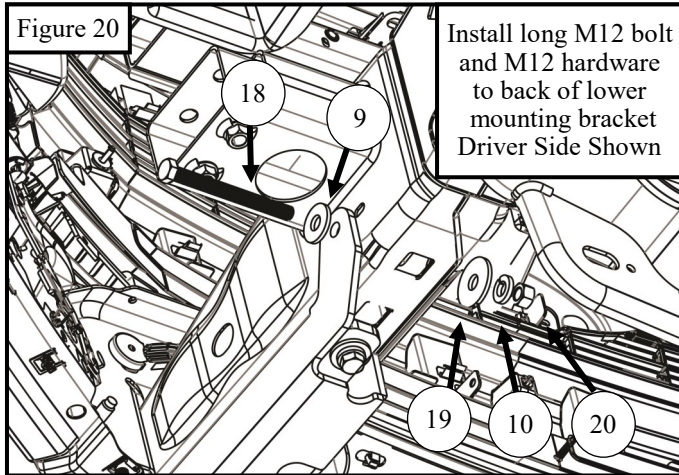
6. **For vehicles without factory tow hooks:** Trim the plastic in the areas in **Figure 14 and 15**. Repeat for the passenger side.



7. **For vehicles without factory tow hooks:** Slip (2) double nut plates into each frame rail and line up with existing holes, see **Figure 16**. Guide them and align with holes shown in **Figure 19** with a magnet or screw driver. **Note:** The rear nut plate will only need to be installed with one bolt.
8. **For vehicles without factory tow hooks:** Loosely install the Lower Mounting Brackets (Items 2/3) using the supplied M12 hardware as shown in **Figure 19**. Trim screws if they interfere with lower mounting bracket see **Figure 18**. **Note:** The plastic valance which was trimmed in **step 2** may need to be trimmed further to access a bolt with the ratchet when installing the lower mounting bracket, or the lower valance may be removed, see **Figure 17**.
9. **For vehicles with factory tow hooks:** Remove tow hooks and slip in (1) double nut plate into frame rail. Loosely install Lower Mounting Brackets to factory nut plates and supplied nut plate using supplied M12 hardware as shown in **Figure 19**. Trim screws if they interfere with lower mounting bracket see **Figure 18**. **Note:** The nut plate will only need to be installed with one bolt and see **Figure 17**.

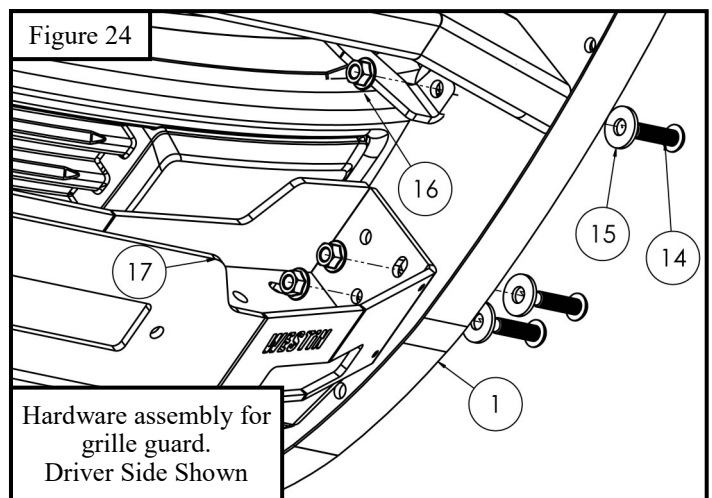
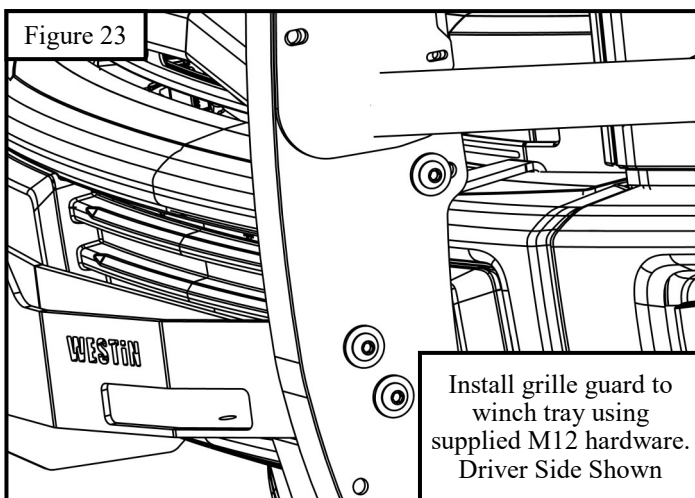


10. Loosely install long M12 bolt and M12 hardware to the back of the lower mounting bracket. Use large diameter washer with nut and smaller diameter with bolt, see **Figure 20**.
11. Loosely install winch tray to lower mounting bracket using supplied M12 black zinc hardware, see **Figure 21**.
12. Align and adjust as needed, then torque M12 hardware to 50-55ft-lbs. **Note:** Leave hardware loose if installing grille guard.



### GRILLE GUARD INSTALLATION ONLY

14. With assistance hold the Grille Guard up to the previously installed winch tray and upper mounting brackets. Loosely attach the Grille Guard to the brackets and winch tray using the supplied M12 hardware, see **Figure 23 and 24**.
15. Align and adjust the Grille Guard and winch tray as necessary. Tighten and torque M12 hardware to 50-55 ft-lbs.



## INSTALLATION COMPLETE



2015-2020 Model Shown



2021 Model Shown

### CARE INSTRUCTIONS

- REGULAR WAXING IS RECOMMENDED. DO NOT USE ANY TYPE OF POLISH OR WAX THAT MAY CONTAIN ABRASIVES.
- STAINLESS STEEL PRODUCTS CAN BE CLEANED WITH MILD SOAP AND WATER. STAINLESS STEEL POLISH SHOULD BE USED TO POLISH SMALL SCRATCHES.
- GLOSS BLACK FINISHES SHOULD BE CLEANED WITH MILD SOAP AND WATER.

**WESTIN** Westin Automotive Products, Inc.  
320 W. Covina Blvd  
San Dimas, Ca. 91773

Thank you for choosing Westin products  
for additional installation assistance please call  
Customer Service (800) 793-7846

[www.westinautomotive.com](http://www.westinautomotive.com)



## WARNING



Failure to follow these instructions could lead to death, personal injury, and / or property damage.

Failure to follow these instructions could lead to death, personal injury, and / or property damage.

### **FASTENERS:**

All Westin supplied fasteners must be utilized and installed in accordance with the installation instructions and apply torque to the specifications as defined. **DOUBLE CHECK ALL FASTENERS BEFORE INITIAL USE, AND PERIODICALLY IN THE FUTURE TO ENSURE PROPER FUNCTION AND SAFETY.**

### **DRILLING:**

Most Westin products do not require drilling for installation. If drilling is defined as required, use caution when drilling a vehicle. **FAILURE TO REVIEW AN AREA TO BE DRILLED MAY RESULT IN PERSONAL INJURY AND/OR INJURY TO OTHERS AS WELL AS VEHICLE DAMAGE.**

### **EYE PROTECTION:**

**ALWAYS WEAR SAFETY GLASSES OR GOGGLES DURING THE INSTALLATION PROCESS TO AVOID PERSONAL INJURY.**

### **MAXIMUM TOWING/CARRYING CAPACITY:** (if applicable)

The Westin Receiver Hitches will have a visible tow rating label affixed directly on the product. User should never exceed the vehicle manufacturers maximum tow and weight rating regardless of the capacity of the hitch. **FAILURE TO FOLLOW THESE GUIDELINES WILL VOID THE WESTIN WARRANTY AND MAY RESULT IN PERSONAL INJURY AND/OR INJURY TO OTHERS AS WELL AS VEHICLE DAMAGE.**

### **FOR CALIFORNIA RESIDENTS ONLY-PROP 65 WARNING:**

Some products may contain chemicals such as DEHP, which can cause cancer, birth defects or other reproductive harm. For more info go to [www.p65warnings.ca.gov](http://www.p65warnings.ca.gov)



Westin Automotive Products, Inc.  
320 W. Covina Blvd  
San Dimas, Ca. 91773