

INSTALLATION INSTRUCTIONS

HDX BANDIT BUMPER



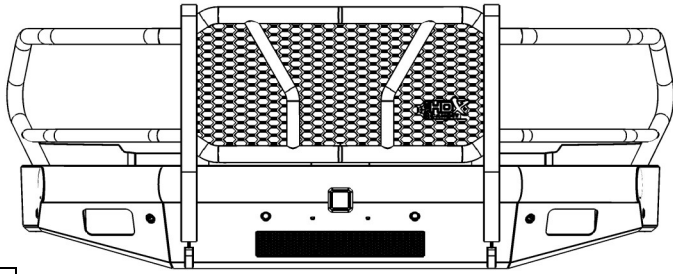
APPLICATION:
2010-2018 Ram 2500/3500 HD
PART NUMBER:
58-31175

CONTENT			
ITEM	QUANTITY	DESCRIPTION	TOOLS NEEDED
1	1	BUMPER ASSEMBLY	10MM SOCKET
2	2	MOUNTING BRACKET	10MM WRENCH
3	4	SENSOR WIRING HARNESS KIT	18MM SOCKET
4	6	SENSOR GASKET	19MM WRENCH
5	6	SENSOR HOLE PLUG	13MM SOCKET
6	6	SENSOR TAB	13MM WRENCH
7	1	DRIVER UPPER FOG LAMP BRACKET	ALLEN WRENCH
8	1	PASSENGER UPPER FOG LAMP BRACKET	FLOOR JACK
9	1	DRIVER LOWER FOG LAMP BRACKET	PRY TOOL
10	1	PASSENGER LOWER FOG LAMP BRACKET	RATCHET
11	12	M12 HEX NUT	TORQUE WRENCH
12	8	SHORT M12 HEX HEAD CAP SCREW	
13	4	LONG M12 HEX HEAD CAP SCREW	
14	24	M12 FLAT WASHER	
15	12	M12 SPLIT LOCK WASHER	
16	6	M6 CARRIAGE BOLT	
17	6	M6 SERRATED FLANGE NUT	
18	6	M8 SERRATED FLANGE NUT	
19	6	M8 FLAT WASHER	
20	6	M8 BUTTON HEAD BOLT	

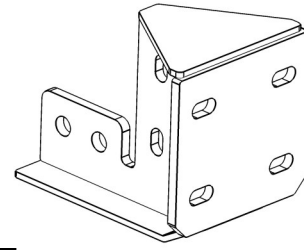
ANTI-SEIZE LUBRICANT MUST BE USED ON ALL STAINLESS STEEL FASTENERS TO PREVENT THREAD DAMAGE AND GALLING

PROCEDURE

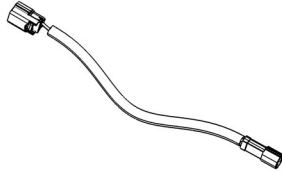
1. Remove contents from box, verify if all parts listed are present and free from damage.
Carefully read and understand all instructions before attempting installation.
Failure to identify damage before installation could lead to a rejection of any claim.



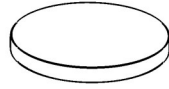
ITEM 1



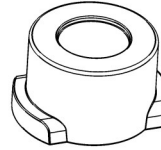
ITEM 2



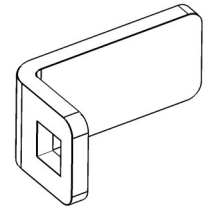
ITEM 3



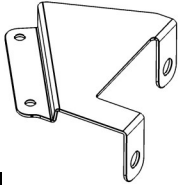
ITEM 4



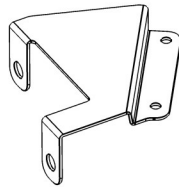
ITEM 5



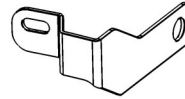
ITEM 6



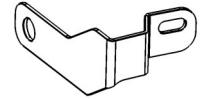
ITEM 7



ITEM 8

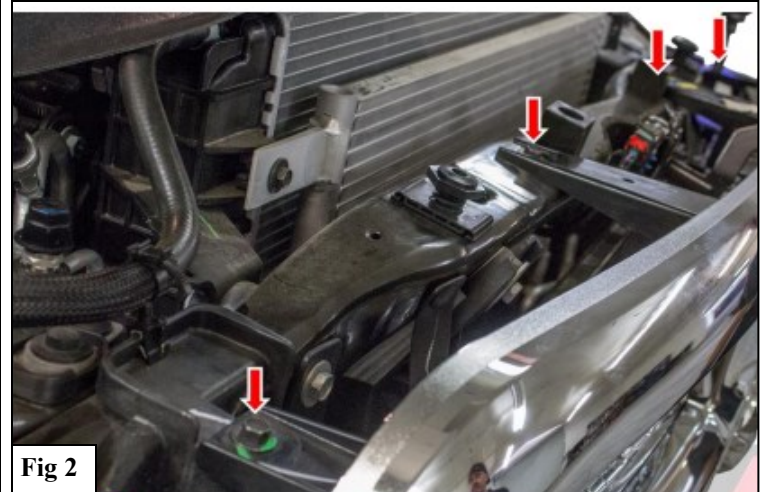
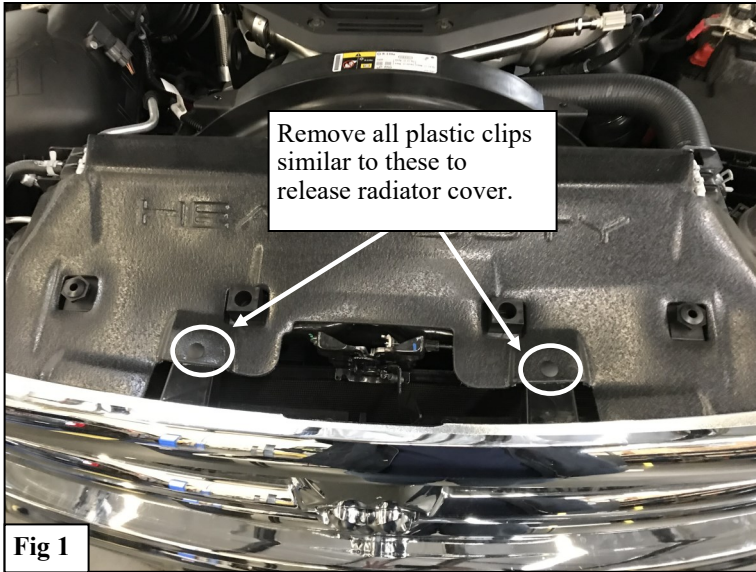


ITEM 9

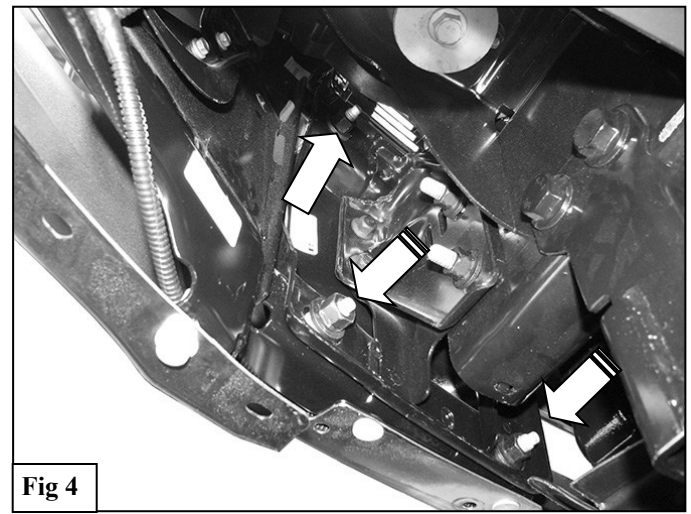
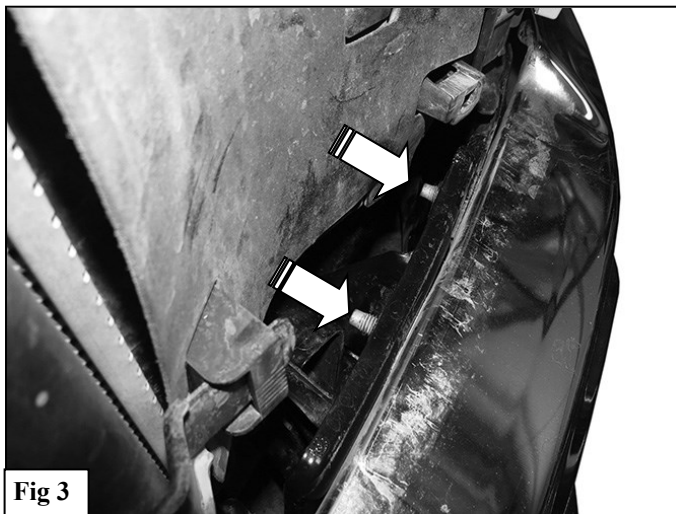


ITEM 10

2. Unplug any wire connections to the OEM Bumper.
3. Open the hood and temporarily remove the top plastic cover between the radiator and the grille. See **Figure 1**.
4. Also remove the grille for easier access to top bumper bracket bolts by removing the (4) M6 bolts on the top of the radiator. See **Figure 2**. Remove the grill by carefully pulling on the grille near the attachment points. *Note: Using a pry tool to assist in releasing the clips may help.*



5. Release the clips attaching the lower splash guard to the back of the front bumper, (if equipped). Locate the factory bumper nuts attaching the outer bumper to the inner brackets and remove them. See **Figures 3 & 4**.
6. With assistance, remove the bumper assembly. Next, remove the (2) tow hooks. *Note: Tow hooks may not be re-used.*



7. Remove the driver side inner bumper bracket and lower frame extension brackets from the ends of the frame. See **Figure 5**. **NOTE:** Lower frame extension brackets cannot be reinstalled. **IMPORTANT:** On models equipped with a diesel engine, the intercooler will need to be moved out of the way to remove the frame extension bracket. This is done by loosening the hose clamps & unbolting the intercooler brackets from the frame. Assistance is highly recommended to avoid damaging the intercooler.

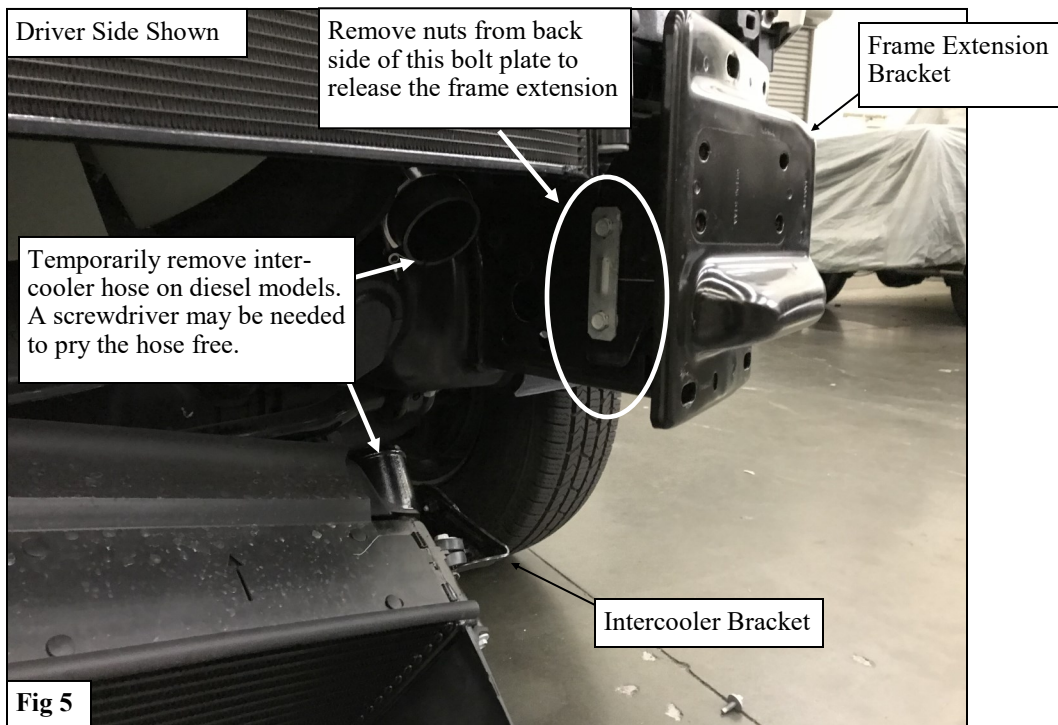


Fig 5

8. Pre-install the factory bolt plates along with the supplied M12 Hardware into both frame ends. See **Figure 6**.
 9. Loosely attach the Mounting Brackets (2) to the frame using the hardware from **Step 8** as well as the supplied M12 Hardware. See **Figure 7**.

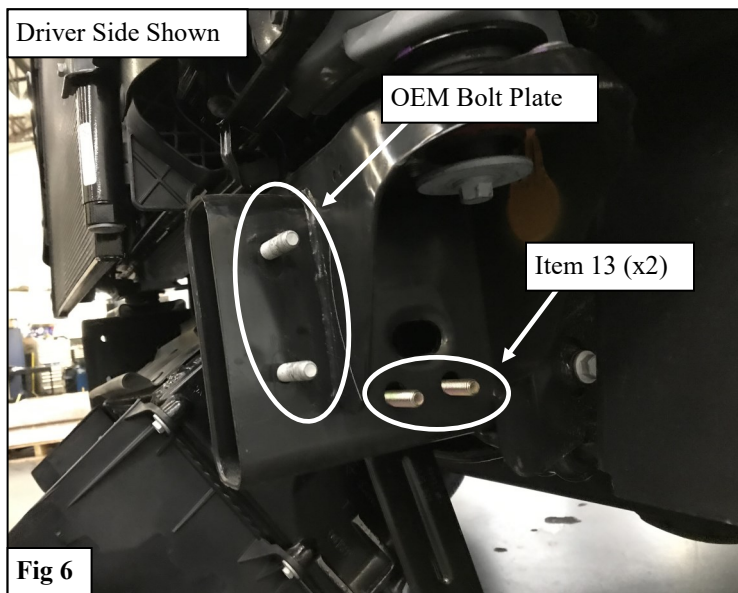


Fig 6

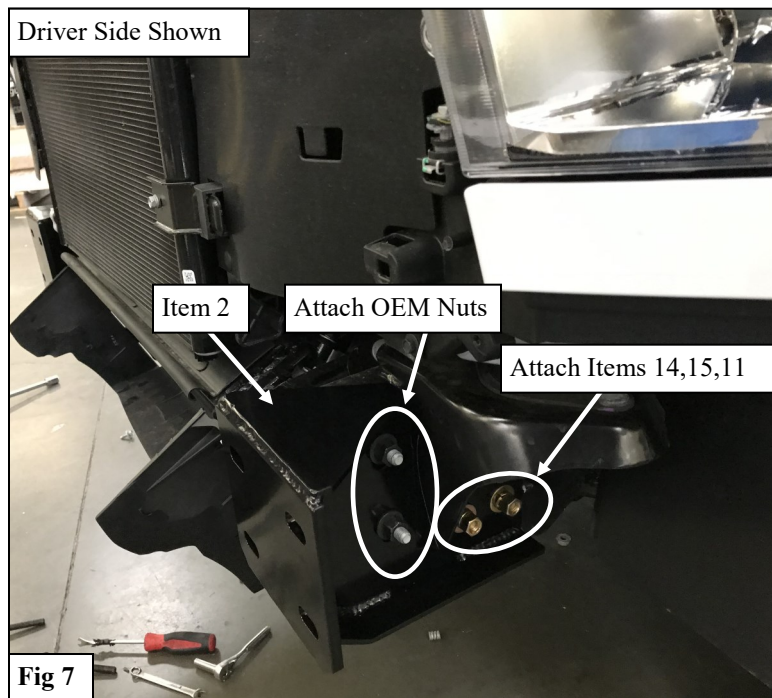
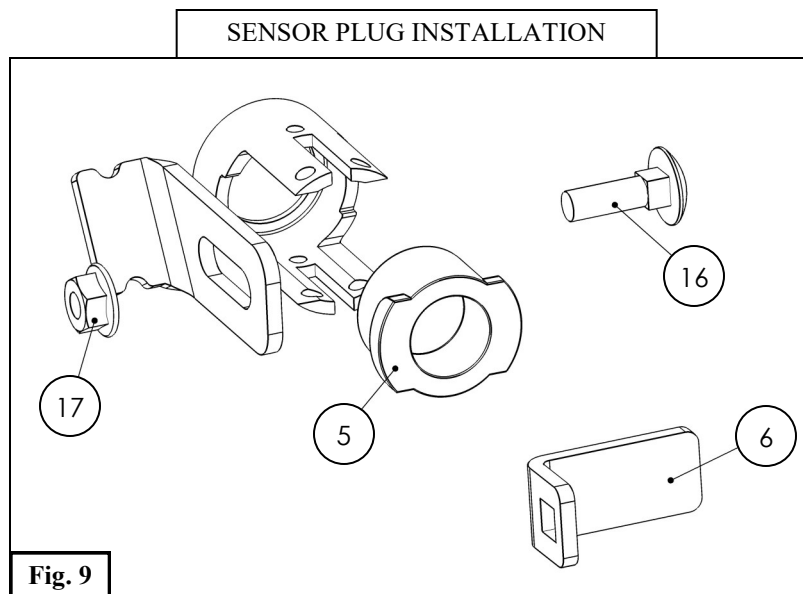
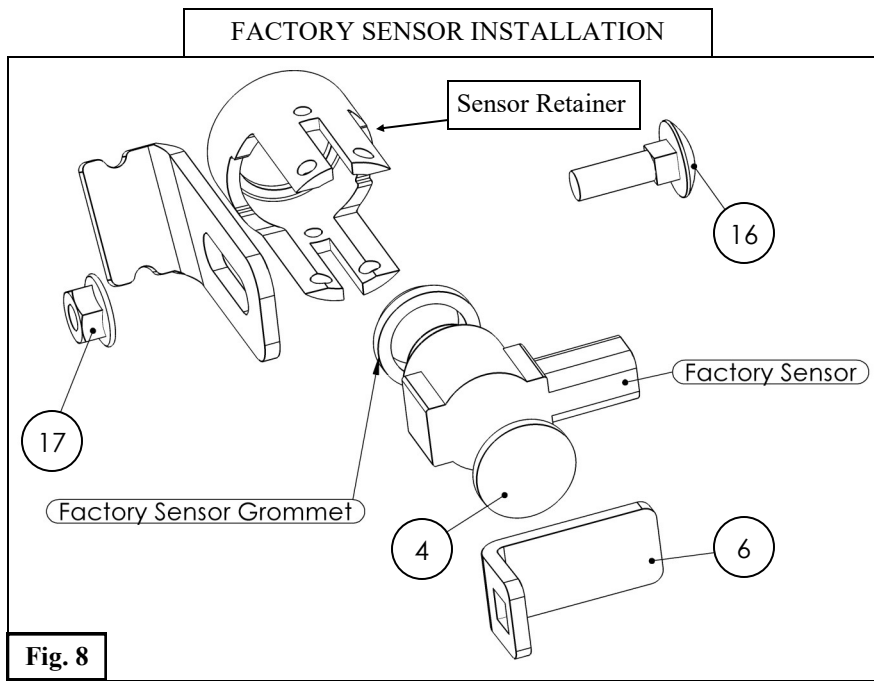
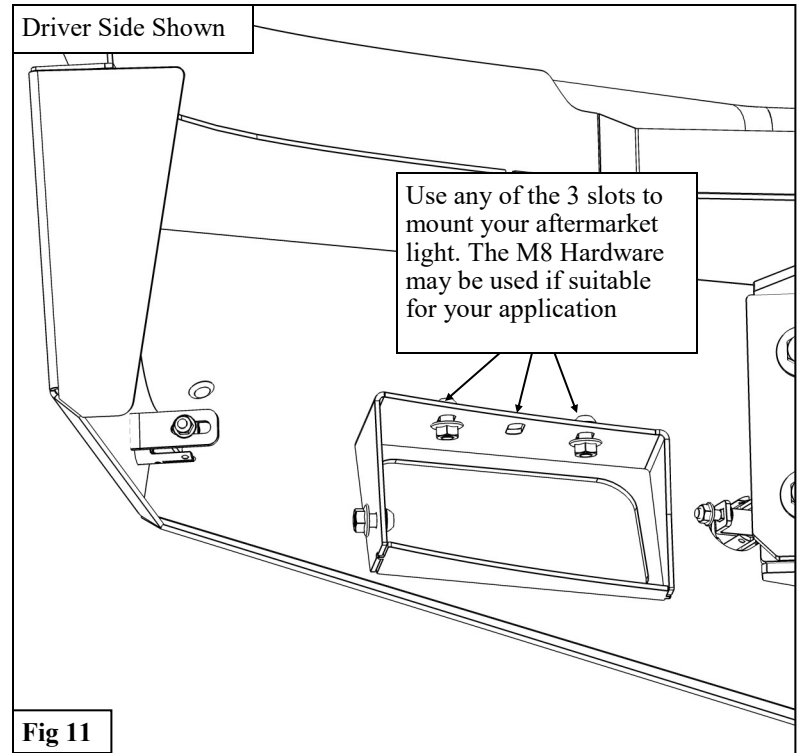
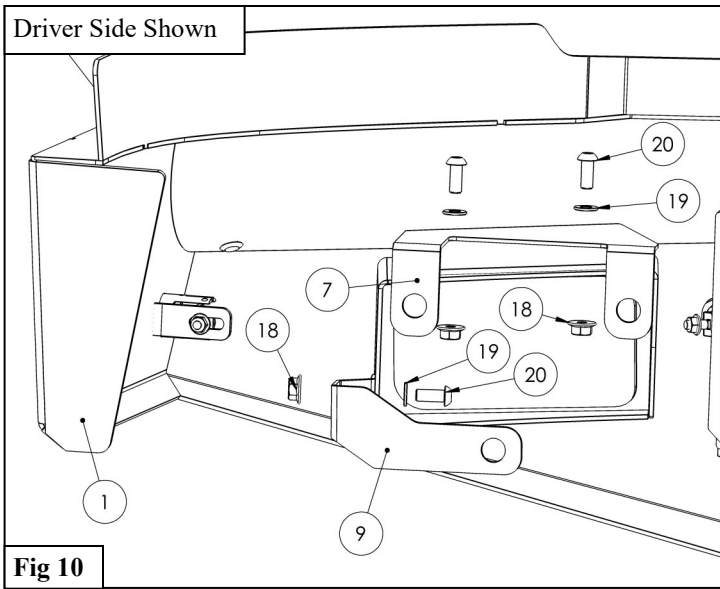


Fig 7

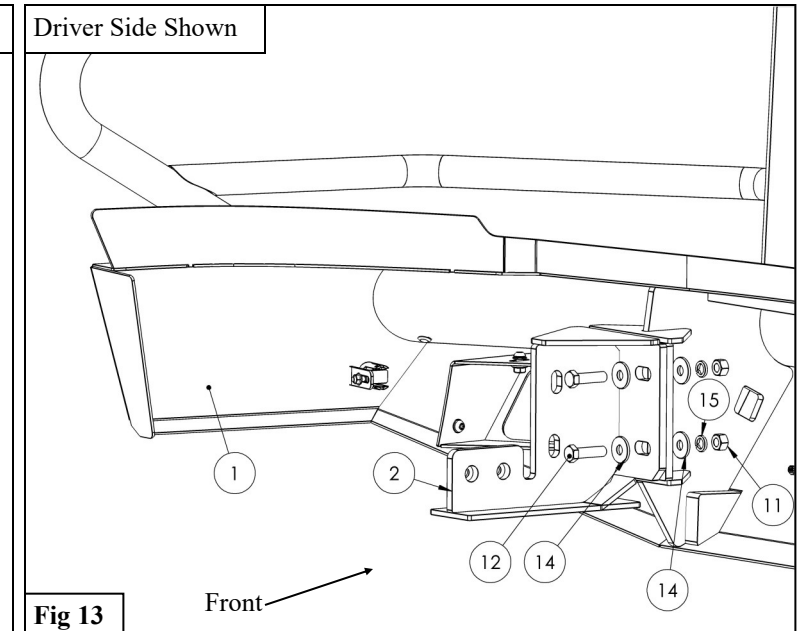
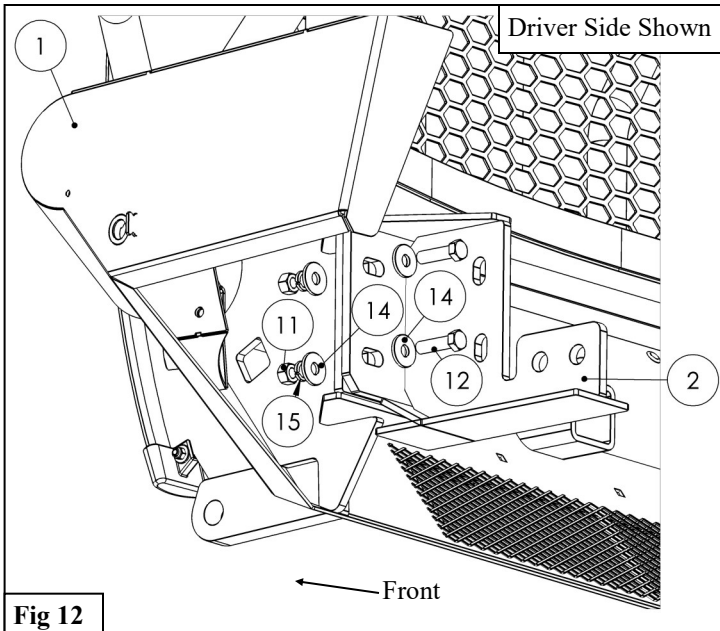
10. Install parking sensors into the Sensor Retainer and position the holes concentrically on the bumper and press with Sensor Tabs (6) against bumper plate. Loosely fasten Sensor Tabs with the supplied M6 hardware (16,17). **See Figures 8 & 9.**
Note: Be sure to maintain the orientation of the sensor so that it remains consistent with its original orientation.
 Tighten M6 hardware to 5-7 ft-lbs. *Note: Factory sensor grommets must be reused.* Use the supplied Harness Extensions (3) as necessary.
11. If parking sensors will not be used, use the supplied Sensor Hole Plugs (5) to cover the sensor hole.



12. If reusing the factory fog lamps, install the Upper and Lower Fog Lamp Brackets (7-10) to the bumper using the supplied M8 Hardware, and insert the fog lamp into the fog lamp cutout, allowing the clips to seat in the three holes provided by the Fog Lamp Mounting Brackets. See **Figure 10**.
13. If installing aftermarket lights, use any of the three slots on the top portion of the fog lamp cutout to secure your aftermarket light. See **Figure 11**.



14. Loosely attach the Bumper Assembly (1) to the Mounting Brackets (2) using the supplied M12 Hardware. See **Figures 12 & 13**. **CAUTION:** The HDX Bandit Bumper is very heavy; use a floor jack to help support the bumper during installation.



15. Adjust and align the bumper as desired. Using a floor jack may be of help for this.
16. Torque all hardware as specified: M6 to 7 ft-lbs, M8 to 15 ft-lbs, M12 to 60 ft-lbs.

INSTALLATION COMPLETE



CARE INSTRUCTIONS

- REGULAR WAXING IS RECOMMENDED. DO NOT USE ANY TYPE OF POLISH OR WAX THAT MAY CONTAIN ABRASIVES.
- STAINLESS STEEL PRODUCTS CAN BE CLEANED WITH MILD SOAP AND WATER. STAINLESS STEEL POLISH SHOULD BE USED TO POLISH SMALL SCRATCHES.
- GLOSS BLACK FINISHES SHOULD BE CLEANED WITH MILD SOAP AND WATER



WARNING



Failure to follow these instructions could lead to death, personal injury, and / or property damage.

Failure to follow these instructions could lead to death, personal injury, and / or property damage.

FASTENERS:

All Westin supplied fasteners must be utilized and installed in accordance with the installation instructions and apply torque to the specifications as defined. **DOUBLE CHECK ALL FASTENERS BEFORE INITIAL USE, AND PERIODICALLY IN THE FUTURE TO ENSURE PROPER FUNCTION AND SAFETY.**

DRILLING:

Most Westin products do not require drilling for installation. If drilling is defined as required, use caution when drilling a vehicle. **FAILURE TO REVIEW AN AREA TO BE DRILLED MAY RESULT IN PERSONAL INJURY AND/OR INJURY TO OTHERS AS WELL AS VEHICLE DAMAGE.**

EYE PROTECTION:

ALWAYS WEAR SAFETY GLASSES OR GOGGLES DURING THE INSTALLATION PROCESS TO AVOID PERSONAL INJURY.

MAXIMUM TOWING/CARRYING CAPACITY: (if applicable)

The Westin Receiver Hitches will have a visible tow rating label affixed directly on the product. User should never exceed the vehicle manufacturers maximum tow and weight rating regardless of the capacity of the hitch. **FAILURE TO FOLLOW THESE GUIDELINES WILL VOID THE WESTIN WARRANTY AND MAY RESULT IN PERSONAL INJURY AND/OR INJURY TO OTHERS AS WELL AS VEHICLE DAMAGE.**

FOR CALIFORNIA RESIDENTS ONLY-PROP 65 WARNING:

Some products may contain chemicals such as DEHP, which can cause cancer, birth defects or other reproductive harm. For more info go to www.p65warnings.ca.gov



Westin Automotive Products, Inc.
320 W. Covina Blvd
San Dimas, Ca. 91773