

INSTALLATION INSTRUCTIONS

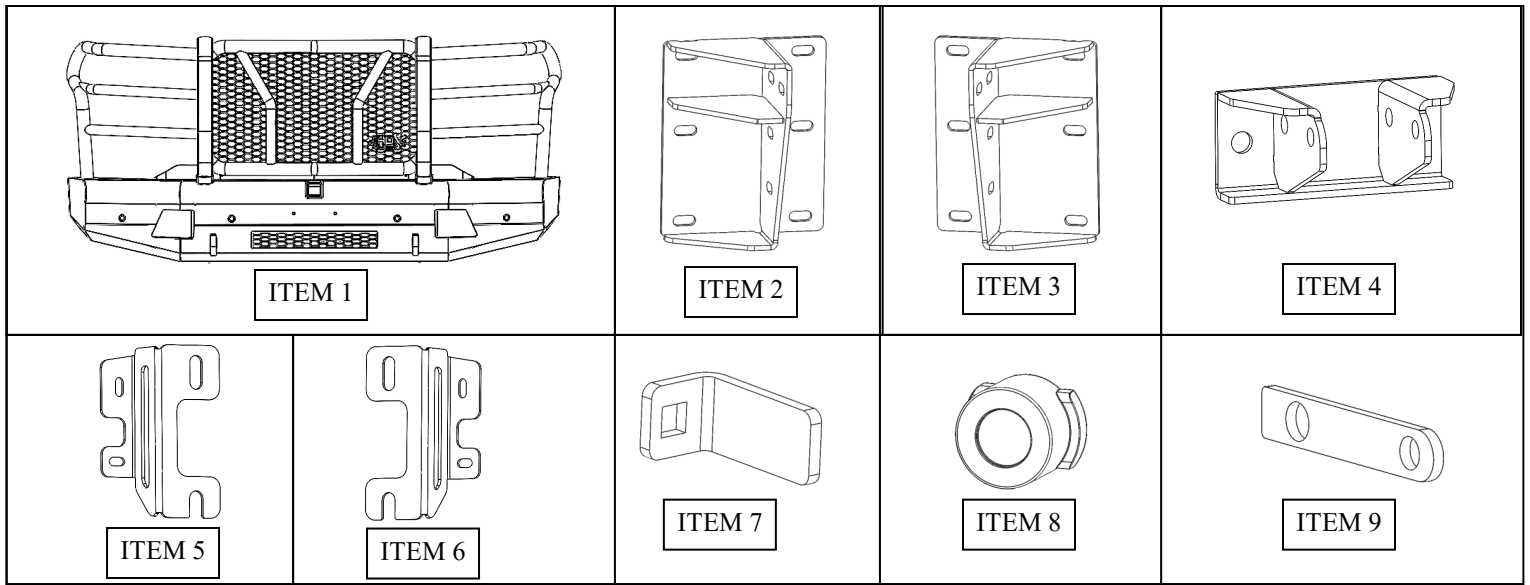
HDX Bandit Front Bumper



APPLICATION:
Chevrolet Silverado 2500/3500 2020-2022
PART NUMBER:
58-31185

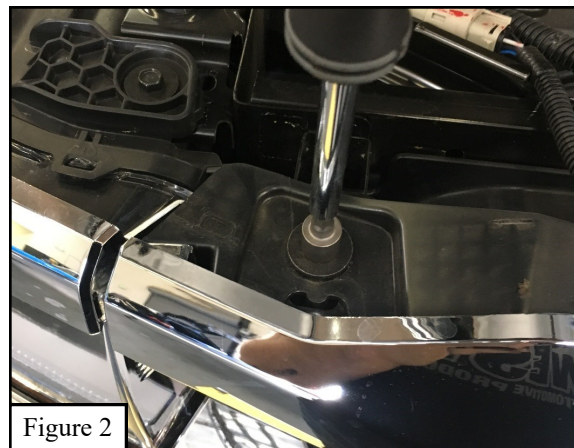
CONTENT			
ITEM	QUANTITY	DESCRIPTION	TOOLS NEEDED
1	1	HDX BANDIT FRONT BUMPER	10MM SOCKET
2	1	DRIVER SIDE MOUNTING BRACKET	16MM SOCKET
3	1	PASSENGER SIDE MOUNTING BRACKET	16MM WRENCH
4	2	LOWER SUPPORT MOUNTING BRACKET	18MM SOCKET
5	1	DRIVER SIDE SHUTTER	18MM WRENCH
6	1	PASSENGER SIDE SHUTTER	FLAT HEAD SCREWDRIVER
7	4	L-TAB SENSOR BRACKET	RATCHET
8	4	PARKING SENSOR PLUG	TORQUE WRENCH
9	4	NUT/BOLT PLATE	13MM SOCKET
10	20	M12 HEX HEAD CAP SCREW (YELLOW ZINC CHROMATE)	
11	20	M12 SERRATED FLANGE NUT (YELLOW ZINC CHROMATE)	
12	4	M12 HEX NUT (YELLOW ZINC CHROMATE)	
13	24	M12 SPLIT LOCK WASHER (YELLOW ZINC CHROMATE)	
14	44	M12 FLAT WASHER (YELLOW ZINC CHROMATE)	
15	4	M10 HEX HEAD CAP SCREW (YELLOW ZINC CHROMATE)	
16	4	M10 SPLIT LOCK WASHER (YELLOW ZINC CHROMATE)	
17	4	M10 FLAT WASHER (YELLOW ZINC CHROMATE)	
18	10	M6 HEX HEAD CAP SCREW (BLACK ZINC CHROMATE)	
19	4	M6 ROUND HEAD CAP SCREW (BLACK ZINC CHROMATE)	
20	14	M6 HEX NUT (BLACK ZINC CHROMATE)	
21	14	M6 SPLIT LOCK WASHER (BLACK ZINC CHROMATE)	
22	24	M6 FLAT WASHER (BLACK ZINC CHROMATE)	
23	2	LICENSE PLATE GROMMET	

ANTI-SEIZE LUBRICANT MUST BE USED ON ALL STAINLESS STEEL FASTENERS TO PREVENT THREAD DAMAGE AND GALLING



PROCEDURE

1. Remove contents from box, verify if all parts listed are present and free from damage. Carefully read and understand all instructions before attempting installation.
Failure to identify damage before installation could lead to a rejection of any claim.
2. Open the hood of the vehicle and remove the plastic cover at the front using a pry tool. See **Figure 1**.
3. Remove the four bolts holding the grille in place. See **Figure 2**.
4. Remove 2 bolts attaching wheel well cover to filler panel. See **Figure 3**.



5. Pry off fenders to access the filler panel clips. See **Figure 4**.
6. Pry filler panel off removing any necessary bolts. See **Figure 5**.
7. Disconnect any electrical plugs and any bolts still attaching the grill to the vehicle. See **Figure 6**.
8. Pry remaining clips attaching the grill to the vehicle to remove the grille.

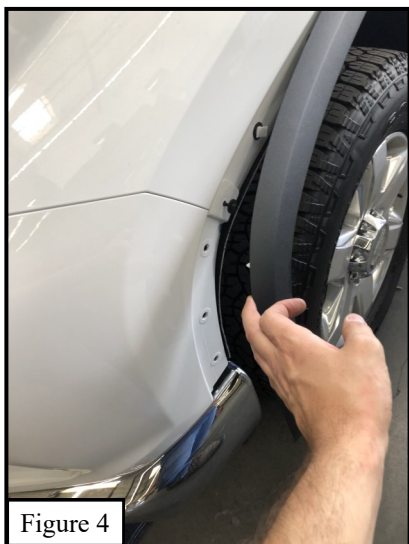


Figure 4

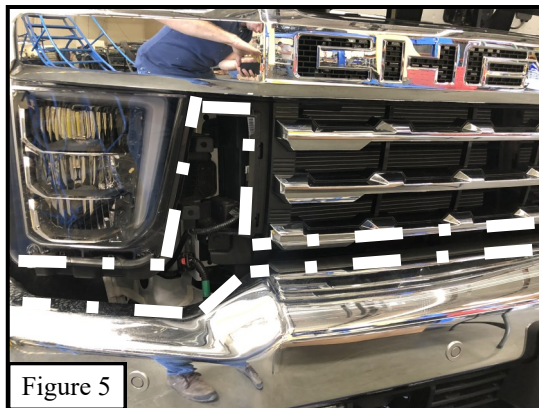


Figure 5



Figure 6

9. Remove 4 upper bumper bolts attaching the bumper to the frame and remove 2 bottom bolts attaching bumper arm to the frame. See **Figure 7 & 8**.
10. **Remove Bumper.**

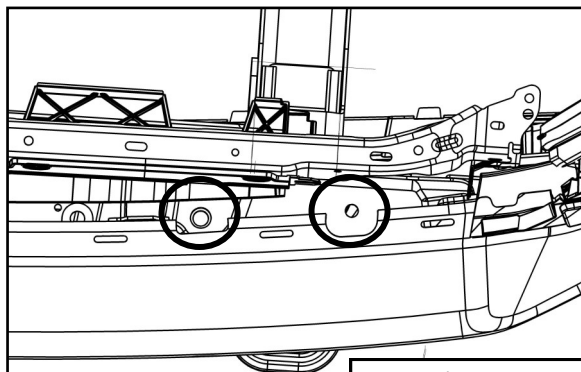


Figure 7

Bolts will be exposed after removing the grille and lifting the plastic covering them

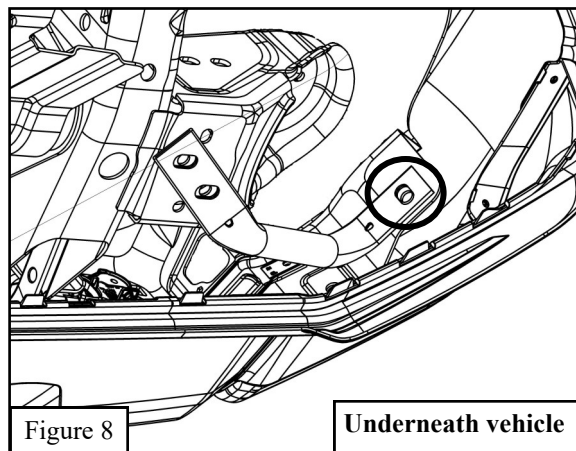
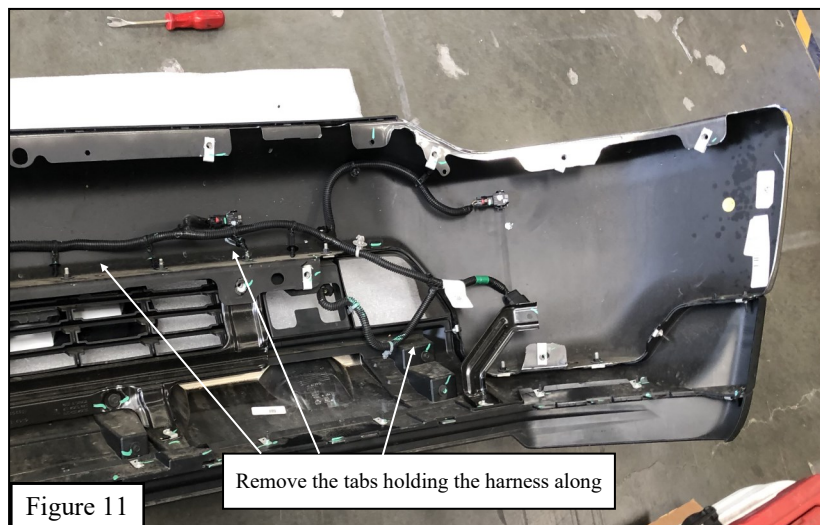
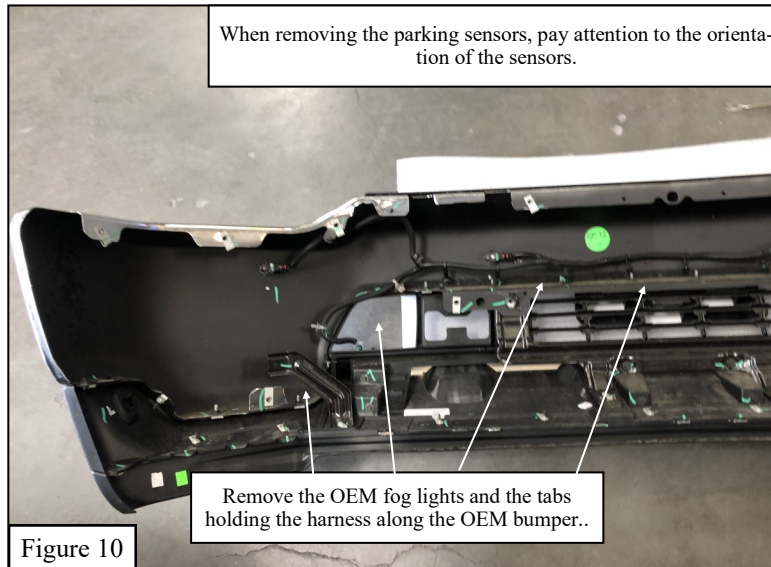


Figure 8

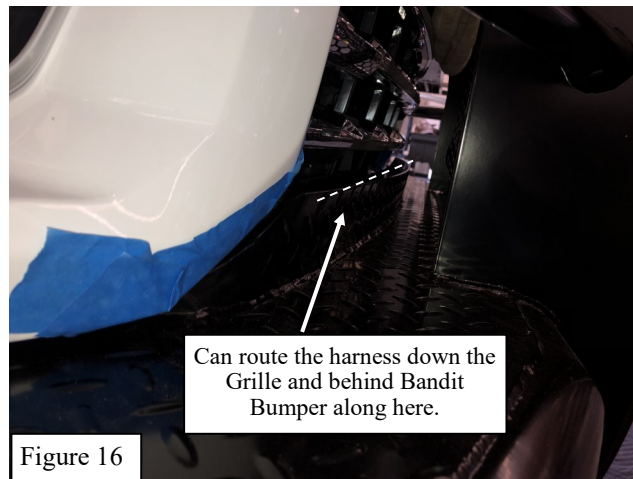
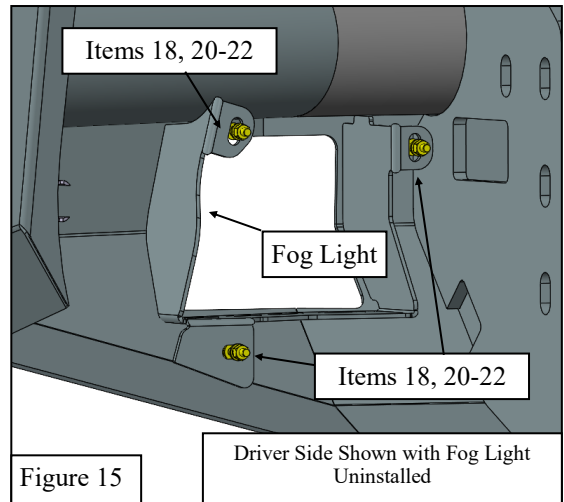
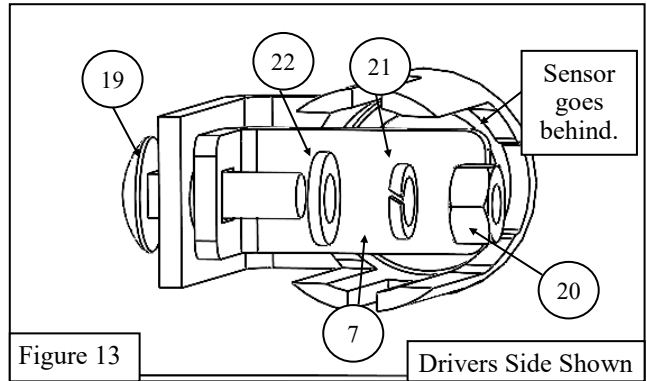
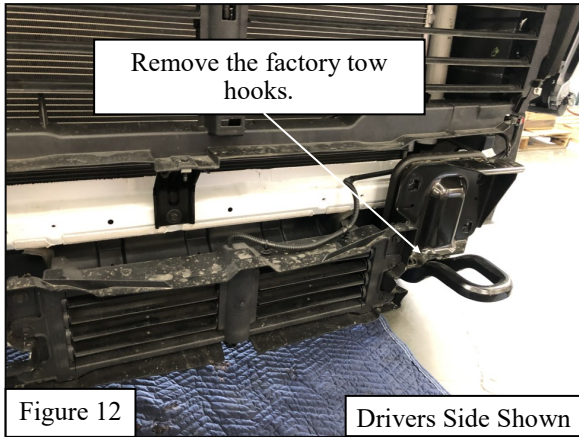
Underneath vehicle

11. Once the bumper is removed, remove the sensors, sensor wiring harness, and the OEM fog lights. Remove the sensors carefully and make sure to pay attention to the sensor orientation since they must be reinstalled in that orientation. See **Figure 10 & 11**.
12. After you remove the sensors and harness, reinstall them along the new bumper. See **Figures 12, 13, 14, 15, & 16** for a reference on routing the harness through the bumper and how to install the parking sensors.

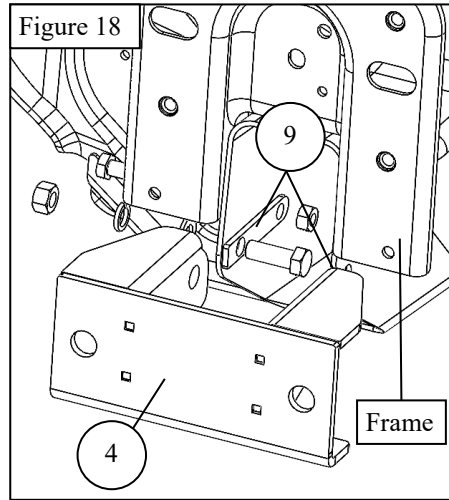
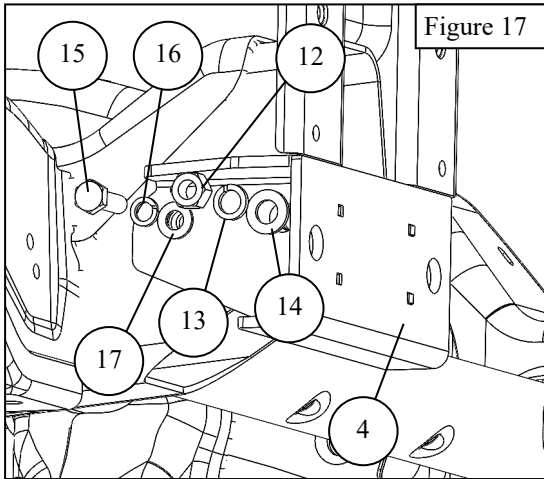
13. Remove OE bumper brackets and Aerodynamic Active Shutters. See **Figure 9**.
Note: Removal of Aerodynamic Active shutters may cause Check Engine Light to turn on. Be sure to complete step 19.



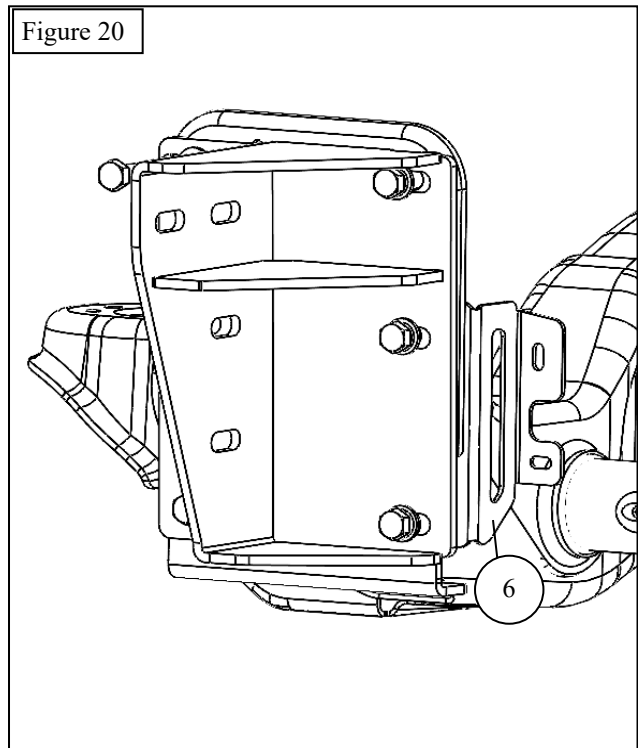
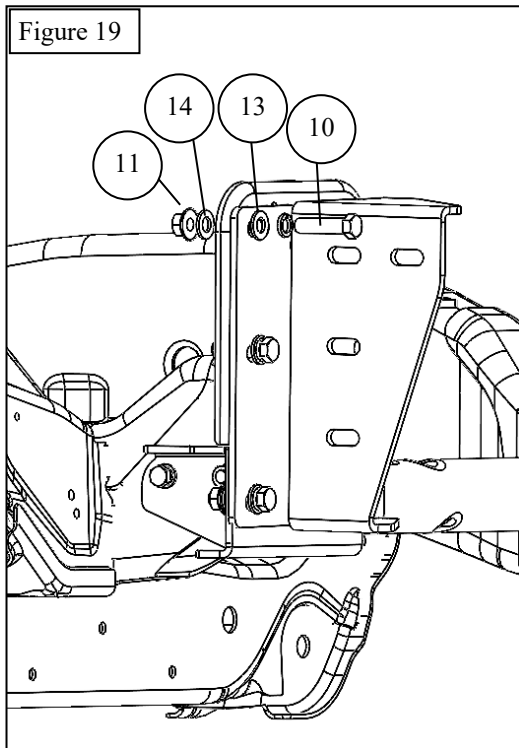
14. Remove the factory tow hooks. **See Figure 12.**
15. Using the L-Tab sensor bracket and the provided M6 hardware (Items 7, 19-22) to install the parking sensors in the same orientation that they were removed from the OEM bumper. **See Figure 13.**
16. Using the provided M6 hardware (Items 18, 20-22) to reinstall the OEM fog lights to the Bandit bumper. **See Figures 14 & 15** for reference.
17. Route the wiring harness from the grille to the Bandit bumper to be able to connect the fog lights and the parking sensors. Secure the harness with zip ties along the backside of the bumper. **See Figure 16** for reference.



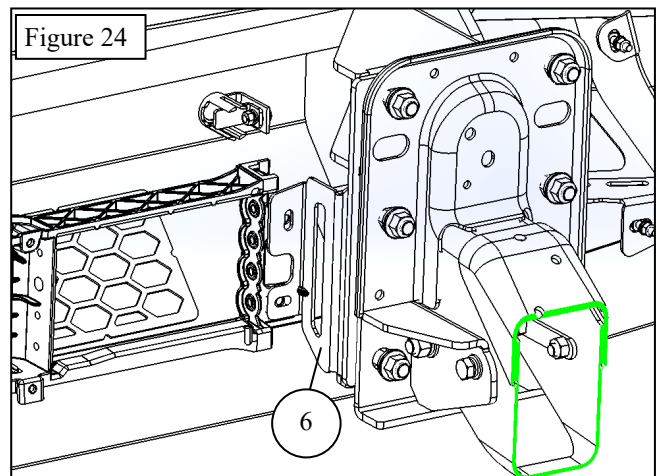
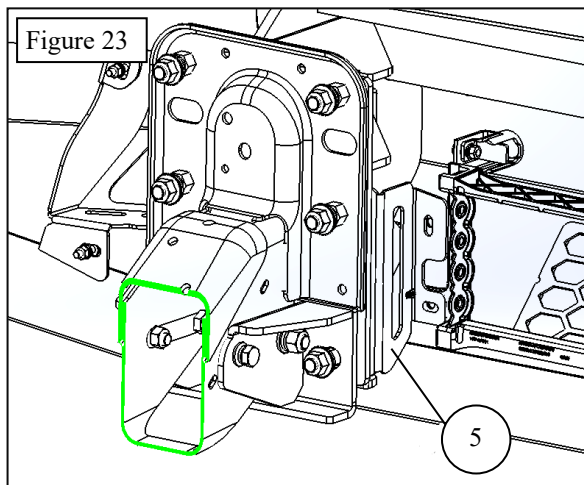
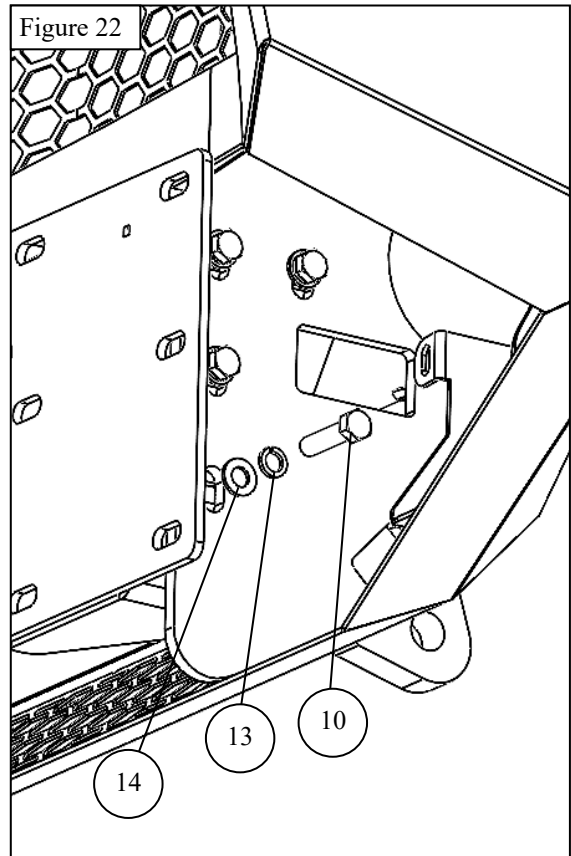
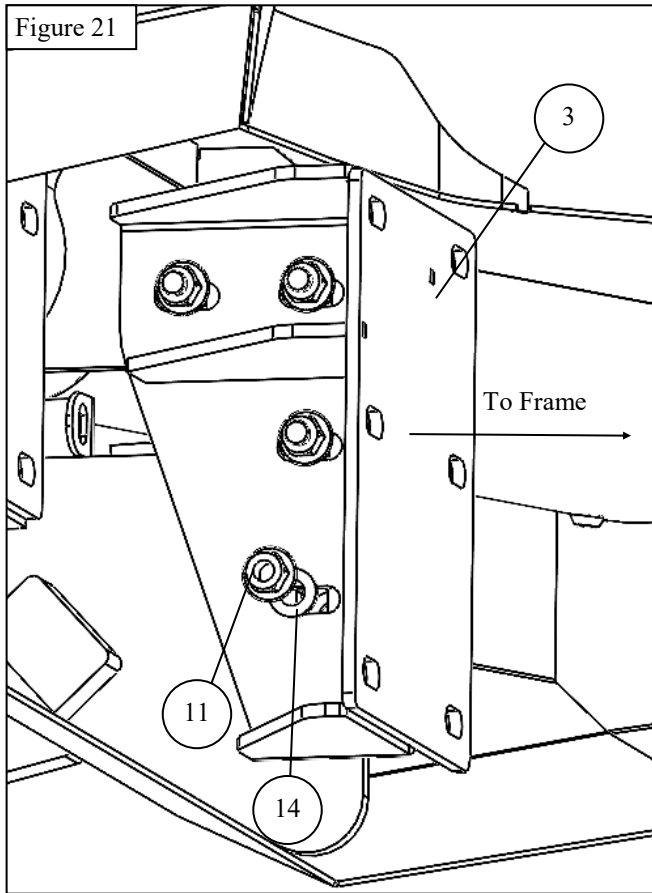
18. Using supplied M12/M10 bolt/nut plate and M10/M12 hardware, slide in and loosely assemble the (2) lower mounting brackets to the frame. The bolt/nut plate will be installed inside the frame. See Figures 17-18.



19. Using supplied M12 hardware, loosely assemble the driver/passenger mounting brackets and shutters to the frame (shutters mount in between the frame and the main brackets). See Figures 19-24.



20. Caution: This bumper is very heavy to handle. Use another person to help hold the bumper. Using a floor jack, raise the bumper in to place on the mounting brackets. Using supplied M12 hardware, loosely assemble the bumper to the brackets. See figures 21-22



21. Adjust the bumper as needed. Torque as specified: M6 to 5-7 ft. lbs, M10 to 35-40 ft.-lbs., M12 to 55-60 ft. lbs.

INSTALLATION COMPLETE



CARE INSTRUCTIONS

- REGULAR WAXING IS RECOMMENDED. DO NOT USE ANY TYPE OF POLISH OR WAX THAT MAY CONTAIN ABRASIVES.
- STAINLESS STEEL PRODUCTS CAN BE CLEANED WITH MILD SOAP AND WATER. STAINLESS STEEL POLISH SHOULD BE USED TO POLISH SMALL SCRATCHES.
- GLOSS BLACK FINISHES SHOULD BE CLEANED WITH MILD SOAP AND WATER.

WESTIN Westin Automotive Products, Inc.
320 W. Covina Blvd
San Dimas, Ca. 91773

Thank you for choosing Westin products
for additional installation assistance please call
Customer Service (800) 793-7846
www.westinautomotive.com



WARNING



Failure to follow these instructions could lead to death, personal injury, and / or property damage.

Failure to follow these instructions could lead to death, personal injury, and / or property damage.

FASTENERS:

All Westin supplied fasteners must be utilized and installed in accordance with the installation instructions and apply torque to the specifications as defined. **DOUBLE CHECK ALL FASTENERS BEFORE INITIAL USE, AND PERIODICALLY IN THE FUTURE TO ENSURE PROPER FUNCTION AND SAFETY.**

DRILLING:

Most Westin products do not require drilling for installation. If drilling is defined as required, use caution when drilling a vehicle. **FAILURE TO REVIEW AN AREA TO BE DRILLED MAY RESULT IN PERSONAL INJURY AND/OR INJURY TO OTHERS AS WELL AS VEHICLE DAMAGE.**

EYE PROTECTION:

ALWAYS WEAR SAFETY GLASSES OR GOGGLES DURING THE INSTALLATION PROCESS TO AVOID PERSONAL INJURY.

MAXIMUM TOWING/CARRYING CAPACITY: (if applicable)

The Westin Receiver Hitches will have a visible tow rating label affixed directly on the product. User should never exceed the vehicle manufacturers maximum tow and weight rating regardless of the capacity of the hitch. **FAILURE TO FOLLOW THESE GUIDELINES WILL VOID THE WESTIN WARRANTY AND MAY RESULT IN PERSONAL INJURY AND/OR INJURY TO OTHERS AS WELL AS VEHICLE DAMAGE.**

FOR CALIFORNIA RESIDENTS ONLY-PROP 65 WARNING:

Some products may contain chemicals such as DEHP, which can cause cancer, birth defects or other reproductive harm. For more info go to www.p65warnings.ca.gov



Westin Automotive Products, Inc.
320 W. Covina Blvd
San Dimas, Ca. 91773