

# INSTALLATION INSTRUCTIONS

## PRO-SERIES FRONT BUMPER



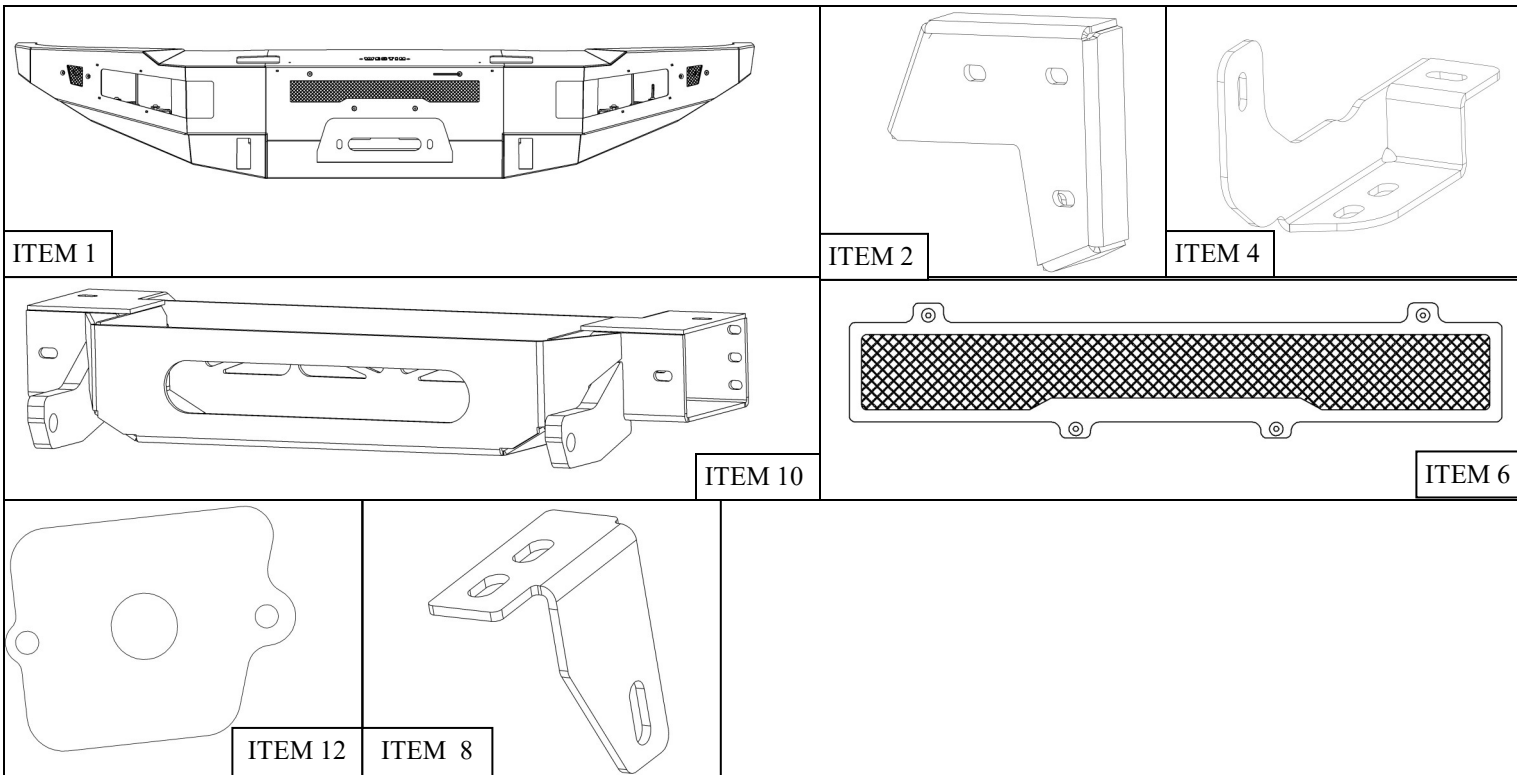
APPLICATION:  
2014-2020 TOYOTA TUNDRA  
PART NUMBER:  
58-411035

CONTENT			
ITEM	QUANTITY	DESCRIPTION	TOOLS NEEDED
1	1	FRONT BUMPER	10MM SOCKET
2	1	MAIN DRIVER BRACKET	10MM WRENCH
3	1	MAIN PASSENGER BRACKET	13MM SOCKET
4	1	SUPPORT DRIVER BRACKET	13MM WRENCH
5	1	SUPPORT PASSENGER BRACKET	16MM SOCKET
6	1	CENTER MESH COVER	16MM WRENCH
7	2	MESH CORNER COVER	18MM SOCKET
8	1	DRIVER LED BRACKET	19MM WRENCH
9	1	PASSENGER LED BRACKET	14MM SOCKET
10	1	WINCH MOUNT	14MM WRENCH
11	2	M12 BOLT PLATE	RATCHET
12	2	SENSOR PLATE	TORQUE WRENCH
13	8	M6 COUNTERSUNK BOLT	
14	4	M6 BUTTON HEAD BOLT	
15	4	M6 SPLIT LOCK WASHER	
16	8	M6 FLAT WASHER	
17	12	M6 SERRATED FLANGE NUT	
18	26	M12 FLAT WASHER	
19	14	M12 SPLIT LOCK WASHER	
20	12	M12 HEX HEAD BOLT	
21	14	M12 HEX NUT	
22	2	M12 FISH WIRE	
23	2	M12 PLASTIC RETAINER	

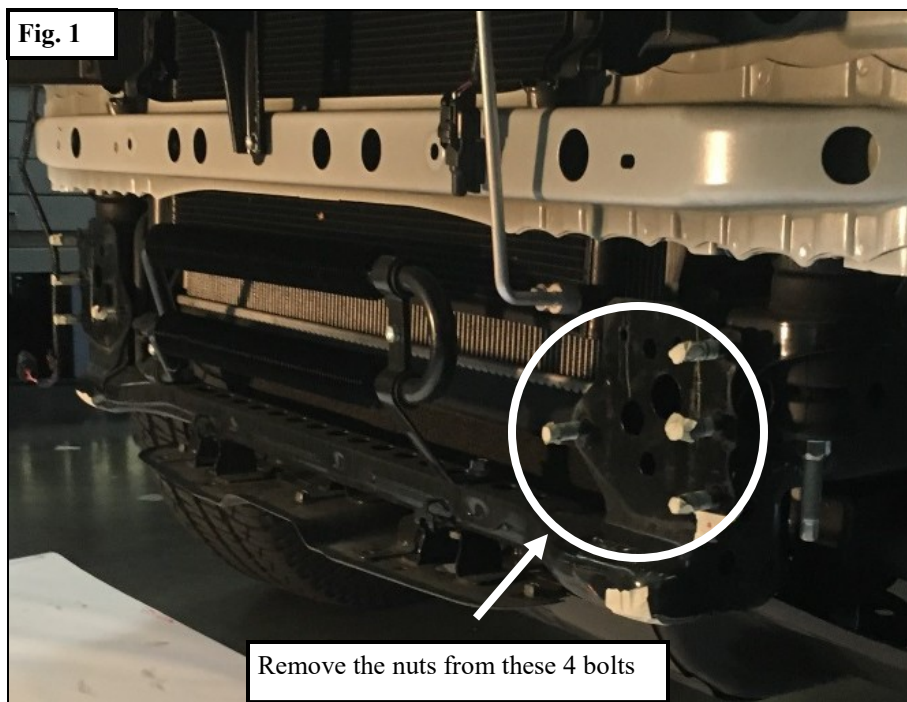
**ANTI-SEIZE LUBRICANT MUST BE USED ON ALL STAINLESS STEEL FASTENERS TO PREVENT THREAD DAMAGE AND GALLING**

### PROCEDURE

1. Remove contents from box, verify if all parts listed are present and free from damage.  
Carefully read and understand all instructions before attempting installation.  
**Failure to identify damage before installation could lead to a rejection of any claim.**



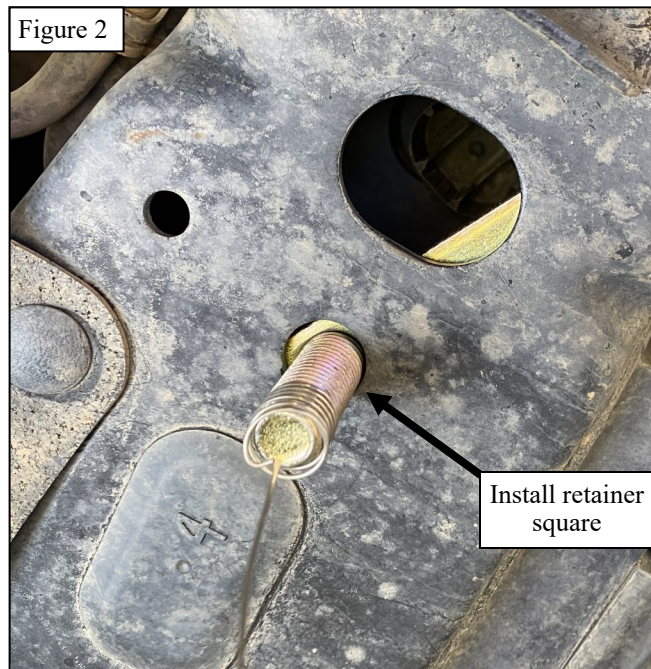
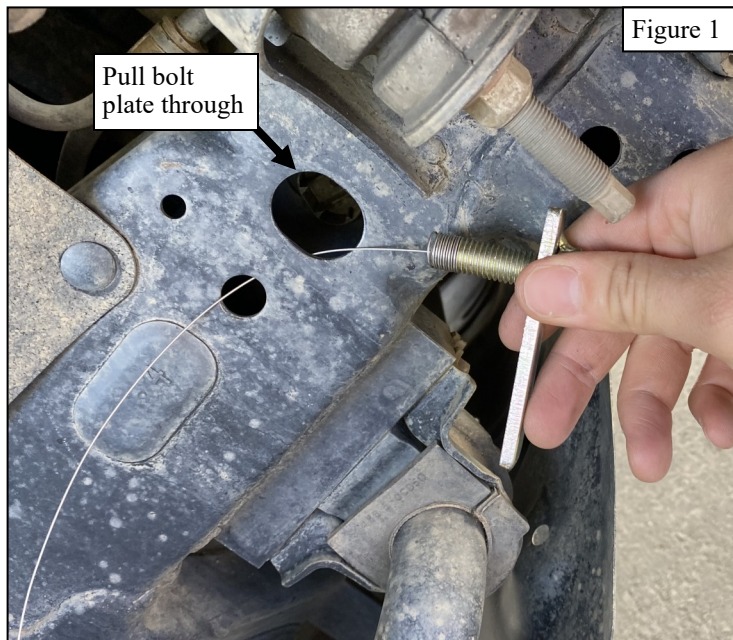
2. Remove stock bumper.
  - a. Remove plastic valence from the front of each wheel well by removing the plastic clips with a pry tool.
  - b. Disconnect all electrical connections to the bumper.
  - c. Remove the lower valence from the bottom of the bumper by removing the three screws holding it place.
  - d. Remove the tow hooks **Note:** factory tow hooks will be reused. Save associated hardware.
  - e. Remove the four nuts indicated in **Figure 1** from the driver's side of the vehicle. Repeat procedure on the passenger's side. **Note:** Save the hardware from these eight bolts.
  - f. Remove stock bumper.



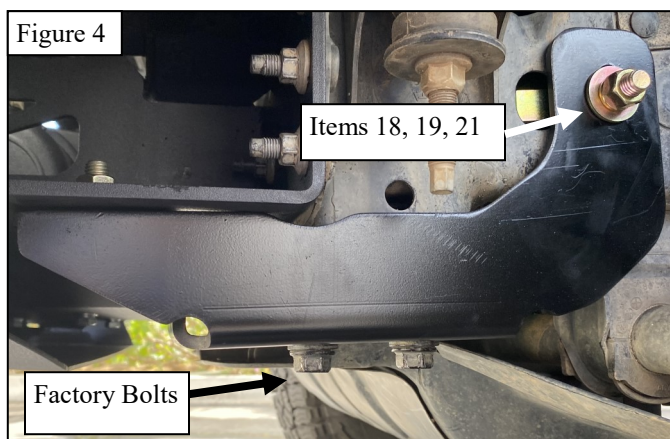
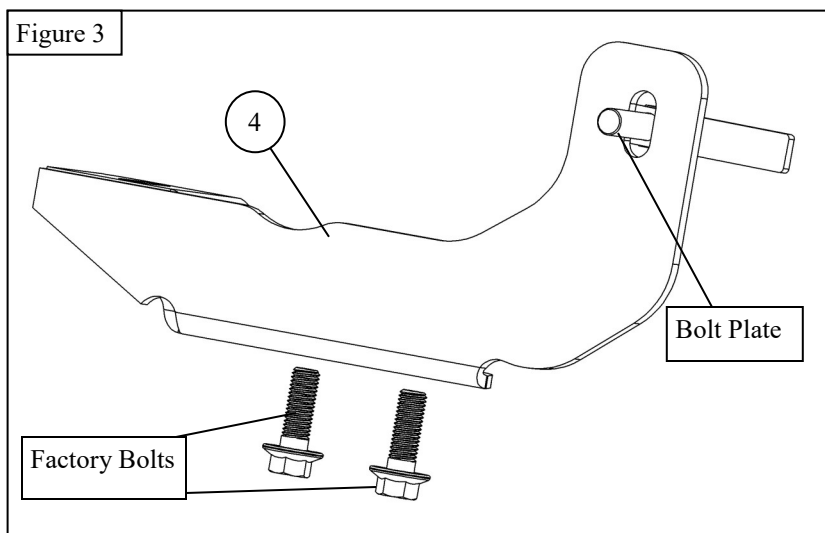
**Fig. 1**

Remove the nuts from these 4 bolts

- Using the supplied M12 Fish Wire, pull the M12 bolt plates through the inside of the frame. Use M12 plastic retainers to hold the bolt plates in place. See **Figure 1-2**



- Locate the driver/passenger support brackets. Using both factory and the supplied M12 bolt plate, assemble the support bracket to the frame. See **Figure 3-4**



5. Using factory and supplied M12 hardware, assemble the winch mount to the frame and support brackets. See **Figure 5-6**
6. Install your winch to the winch mount per manufacturer's instructions.

Figure 5

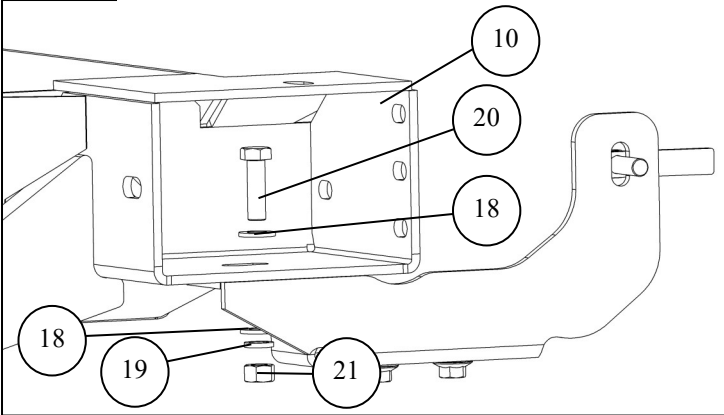
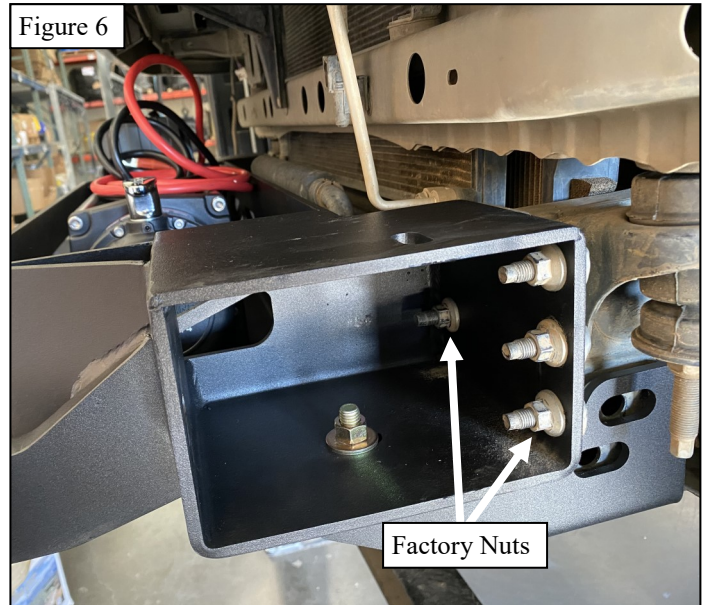
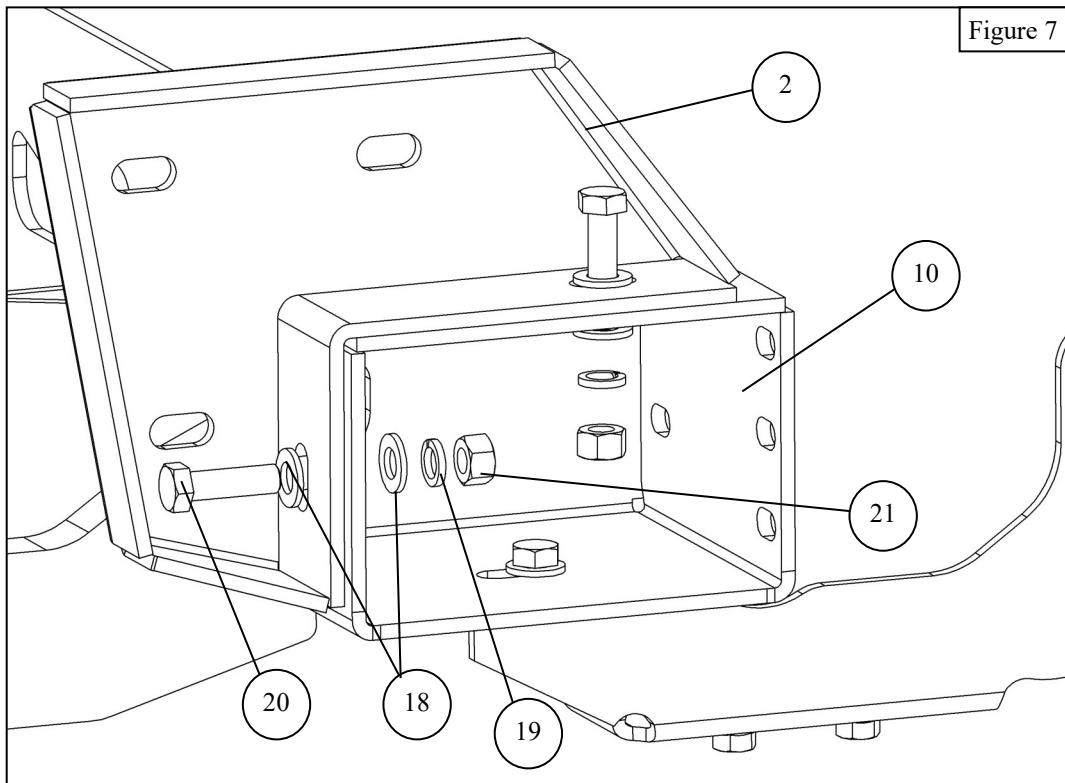


Figure 6

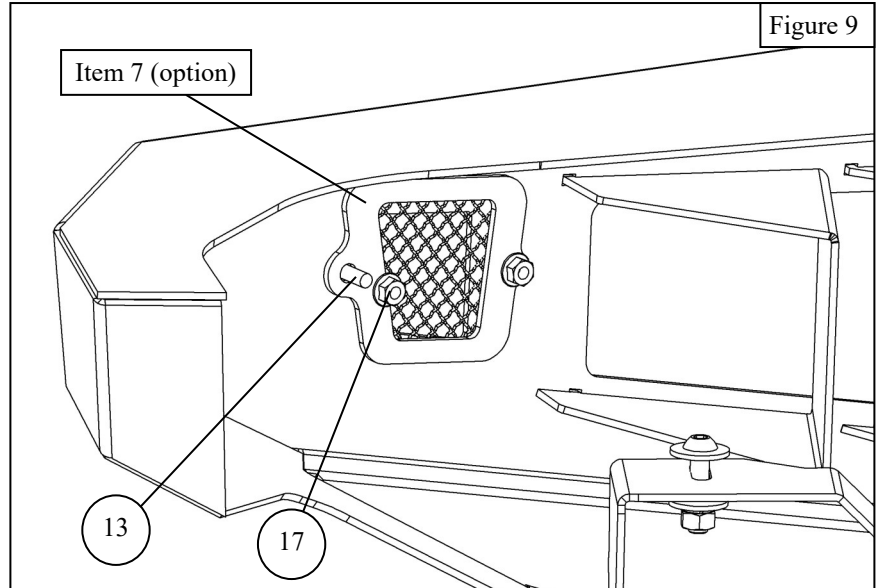
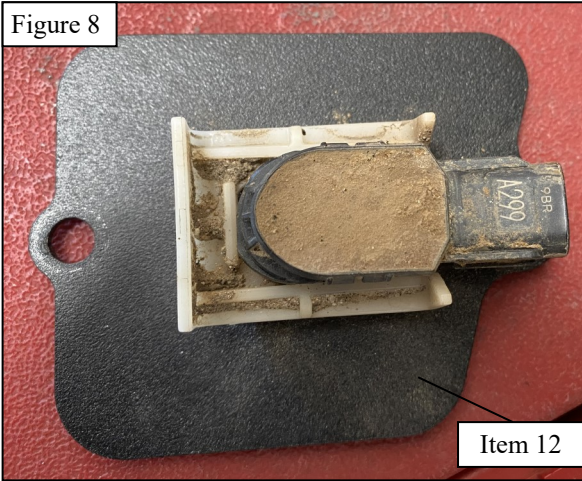


7. Locate both main mounting brackets. Using supplied M12 hardware, assemble the mounting brackets to the winch mount. See **Figure 7**

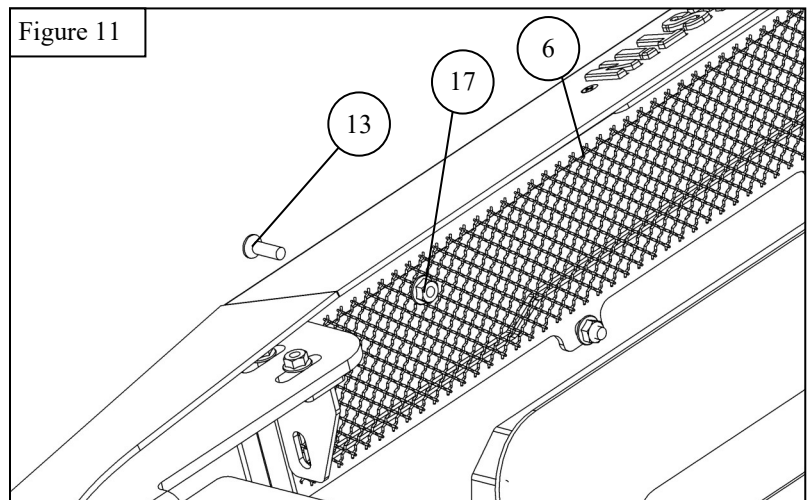
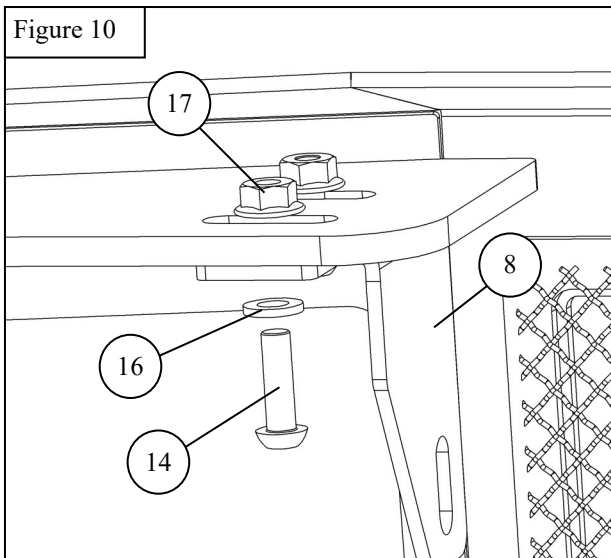
Figure 7



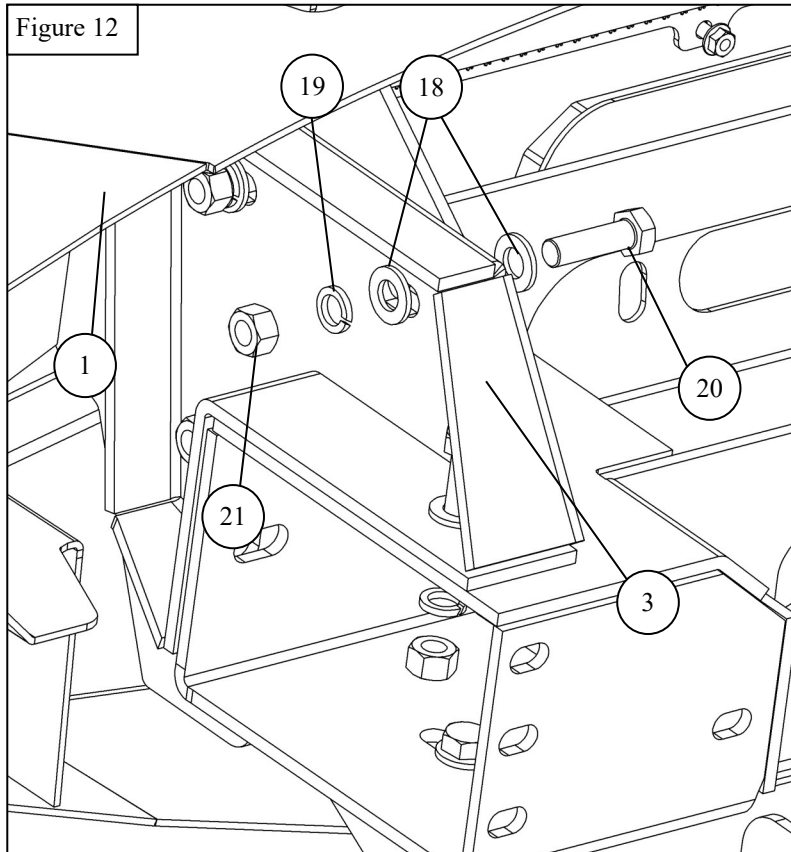
8. Disconnect the sensor harness from the parking sensors from the factory bumper. Pull the plastic U-clip off the sensor and remove the sensor from the inside-out.
9. Using the optional sensor brackets, install the sensors from the outside-in to the sensor brackets. **Ensure sensors remain in the correct orientation and location as before.** Replace the U-clip and harness on the sensors. **See Figure 8**
10. Using supplied M6 hardware, install the sensor plates. **If you do not have sensors, install the optional mesh covers (item 7).** See **Figure 9**



11. If installing a light bar, install using the supplied LED light brackets and supplied M6 hardware, if applicable. Install light per manufacturers recommendation. **See Figure 10**
12. If you are not installing light bar, install the led light mesh cover using supplied M6 hardware. **See Figure 11**
13. If using light pods, install at this time.



14. With help, install the bumper on to the main mounting brackets. Use the supplied M12 hardware. **See Figure 12**
15. Adjust as needed and torque all hardware as specified: M6 to 7 ft. lbs, M8 to 18 ft-lbs, M10 to 35 ft-lbs, M12 to 55-60 ft-bs.



INSTALLATION COMPLETE



#### CARE INSTRUCTIONS

- REGULAR WAXING IS RECOMMENDED. DO NOT USE ANY TYPE OF POLISH OR WAX THAT MAY CONTAIN ABRASIVES.
- STAINLESS STEEL PRODUCTS CAN BE CLEANED WITH MILD SOAP AND WATER. STAINLESS STEEL POLISH SHOULD BE USED TO POLISH SMALL SCRATCHES.
- GLOSS BLACK FINISHES SHOULD BE CLEANED WITH MILD SOAP AND WATER.

**WESTIN**

Westin Automotive Products, Inc.  
320 W. Covina Blvd  
San Dimas, Ca. 91773

P.N.: 75-58411035-RevA

ECO #: W20-0102

7

Thank you for choosing Westin products  
for additional installation assistance please call  
Customer Service (800) 793-7846  
[www.westinautomotive.com](http://www.westinautomotive.com)

DATE: 03/15/2021



## WARNING



Failure to follow these instructions could lead to death, personal injury, and / or property damage.

Failure to follow these instructions could lead to death, personal injury, and / or property damage.

### FASTENERS:

All Westin supplied fasteners must be utilized and installed in accordance with the installation instructions and apply torque to the specifications as defined. **DOUBLE CHECK ALL FASTENERS BEFORE INITIAL USE, AND PERIODICALLY IN THE FUTURE TO ENSURE PROPER FUNCTION AND SAFETY.**

### DRILLING:

Most Westin products do not require drilling for installation. If drilling is defined as required, use caution when drilling a vehicle. **FAILURE TO REVIEW AN AREA TO BE DRILLED MAY RESULT IN PERSONAL INJURY AND/OR INJURY TO OTHERS AS WELL AS VEHICLE DAMAGE.**

### EYE PROTECTION:

**ALWAYS WEAR SAFETY GLASSES OR GOGGLES DURING THE INSTALLATION PROCESS TO AVOID PERSONAL INJURY.**

### MAXIMUM TOWING/CARRYING CAPACITY: (if applicable)

The Westin Receiver Hitches will have a visible tow rating label affixed directly on the product. User should never exceed the vehicle manufacturers maximum tow and weight rating regardless of the capacity of the hitch. **FAILURE TO FOLLOW THESE GUIDELINES WILL VOID THE WESTIN WARRANTY AND MAY RESULT IN PERSONAL INJURY AND/OR INJURY TO OTHERS AS WELL AS VEHICLE DAMAGE.**

### FOR CALIFORNIA RESIDENTS ONLY-PROP 65 WARNING:

Some products may contain chemicals such as DEHP, which can cause cancer, birth defects or other reproductive harm. For more info go to [www.p65warnings.ca.gov](http://www.p65warnings.ca.gov)



Westin Automotive Products, Inc.  
320 W. Covina Blvd  
San Dimas, Ca. 91773