

INSTALLATION INSTRUCTIONS

PRO-SERIES FRONT BUMPER

**APPLICATION:**

Chevrolet Silverado 1500 2019-2021 (Excl. 2019 Silverado LD)

PART NUMBER:

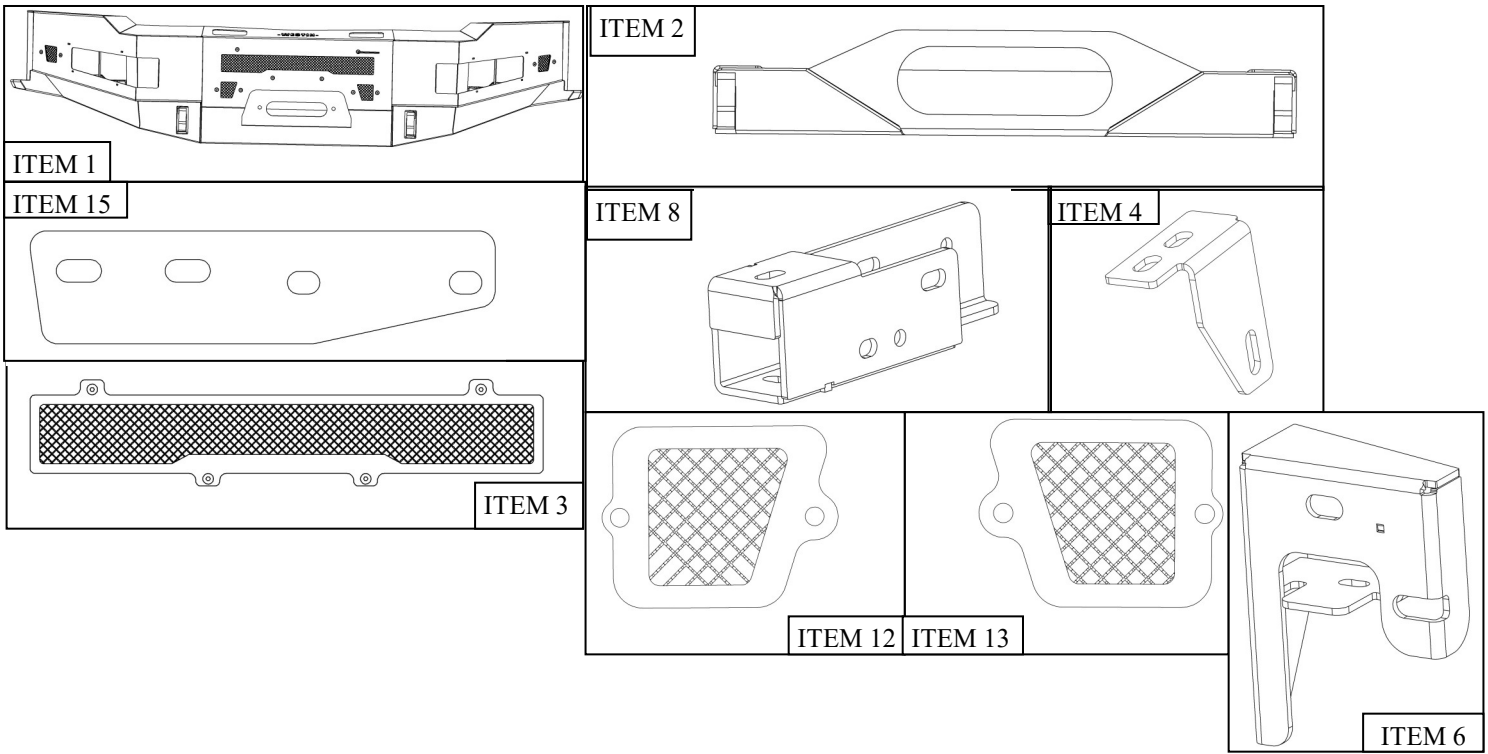
58-411215

CONTENT			
TEM	QUANTITY	DESCRIPTION	TOOLS NEEDED
1	1	PRO-SERIES FRONT BUMPER	10MM SOCKET
2	1	WINCH TRAY	10MM WRENCH
3	1	LED COVER	17MM SOCKET
4	1	LED DRIVER BRACKET	17MM WRENCH
5	1	LED PASSENGER BRACKET	19MM SOCKET
6	1	MAIN DRIVER BRACKET	19MM WRENCH
7	1	MAIN PASSENGER BRACKET	RATCHET
8	1	TRAY DRIVER BRACKET	TORQUE WRENCH
9	1	TRAY PASSENGER BRACKET	TAPE MEASURE
10	4	SENSOR PLATE	ALLEN
11	2	SENSOR WIRING HARNESS	
12	1	MESH COVER A	
13	1	MESH COVER B	
14	4	MOUNTING BRACKET A	
15	2	TRAY SUPPORT BRACKET	
16	2	SQUARE WASHER	
17	10	M12 SERRATED FLANGE NUT	
18	18	M12 HEX HEAD BOLT SHORT	
19	16	M12 LOCK WASHER	
20	28	M12 FLAT WASHER	
21	8	M12 HEX HEAD BOLT LONG	
22	4	M6 HEX HEAD BOLT	
23	8	M6 FLAT WASHER	
24	16	M6 SERRATED FLANGE NUT	
25	12	M6 HEX FLAT HEAD BOLT	

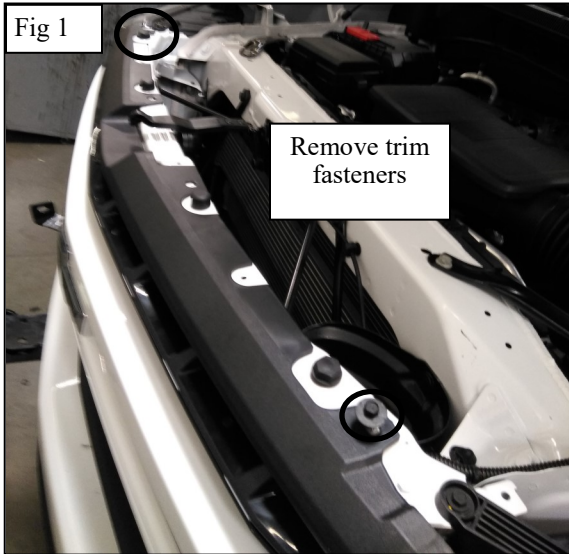
ANTI-SEIZE LUBRICANT MUST BE USED ON ALL STAINLESS STEEL FASTENERS TO PREVENT THREAD DAMAGE AND GALLING

PROCEDURE

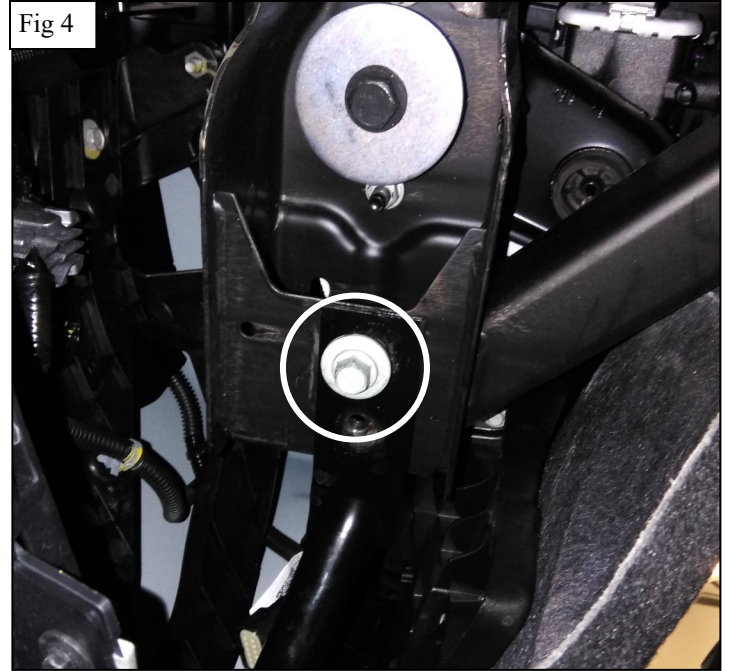
1. Remove contents from box, verify if all parts listed are present and free from damage.
Carefully read and understand all instructions before attempting installation.
Failure to identify damage before installation could lead to a rejection of any claim.



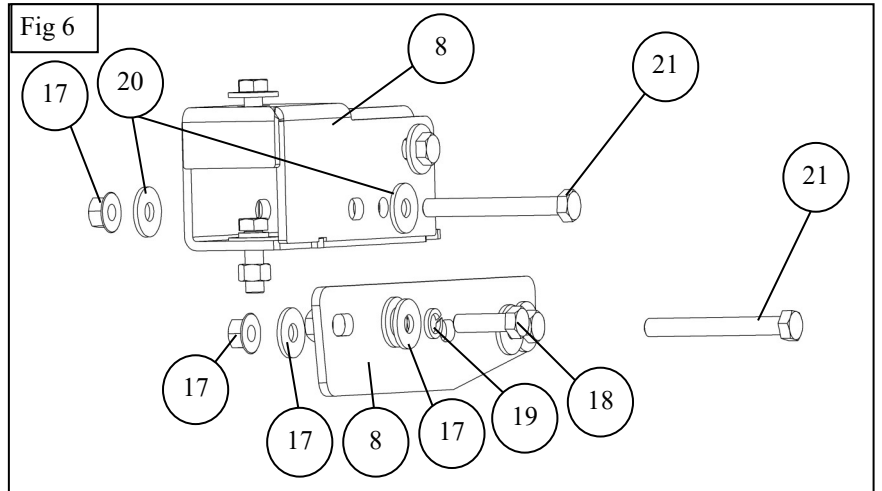
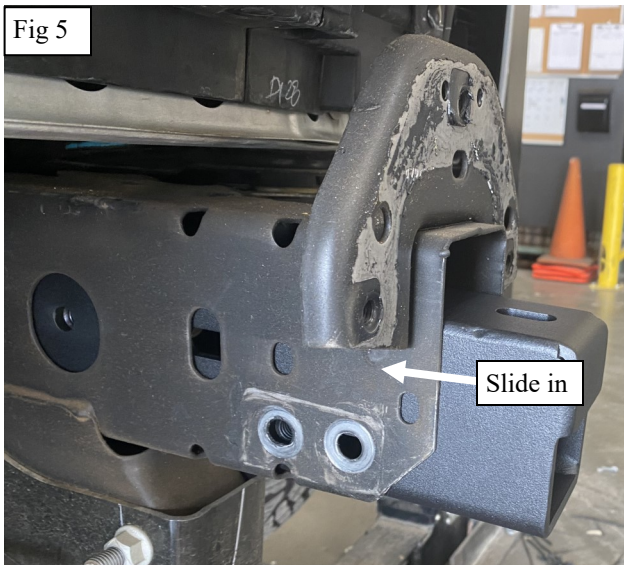
2. Begin by removing the plastic trim fasteners holding the grille in place. Also detatch the clips of the wings of the grille. See **Figures 1 & 2**.
3. Remove the grille by pulling firmly and carefully at the bottom of the grille.

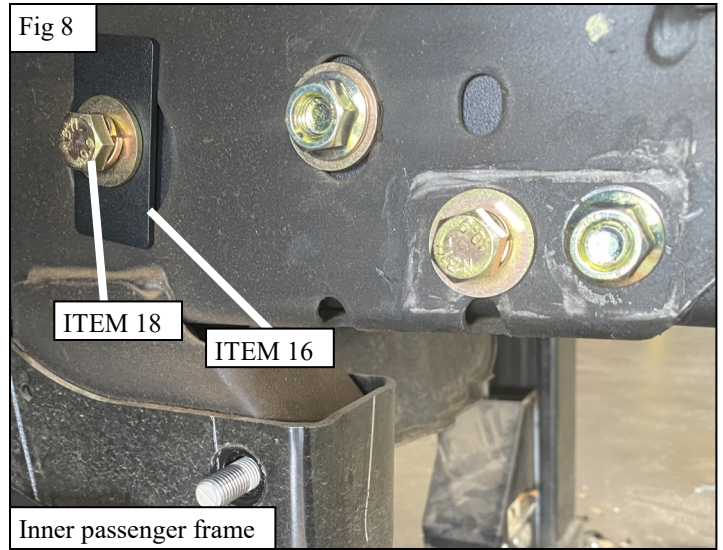
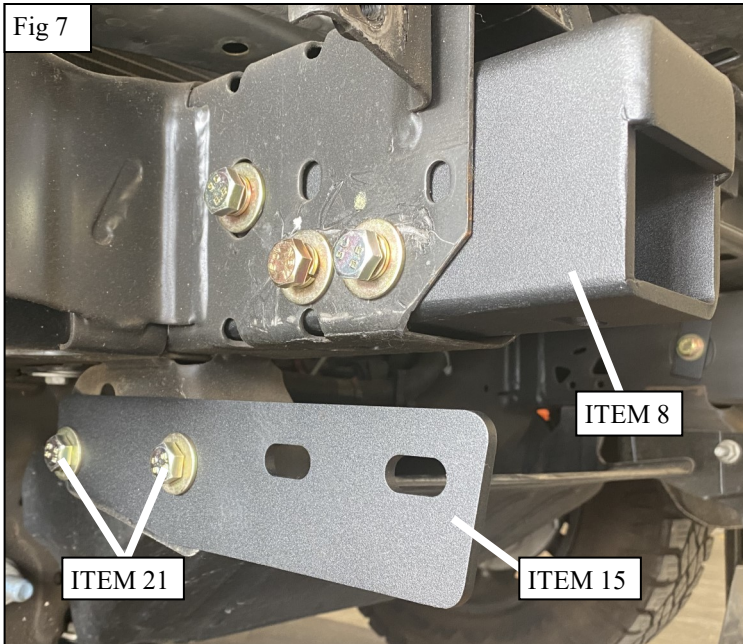


4. Remove the 4 bolts behind the plastic cover securing the bumper to the vehicle. See **Figure 3**.
5. Remove the bolts on the bottom of the frame securing the bumper supports to the vehicle. See **Figure 4**.
6. Unplug any wire connections and remove the bumper.

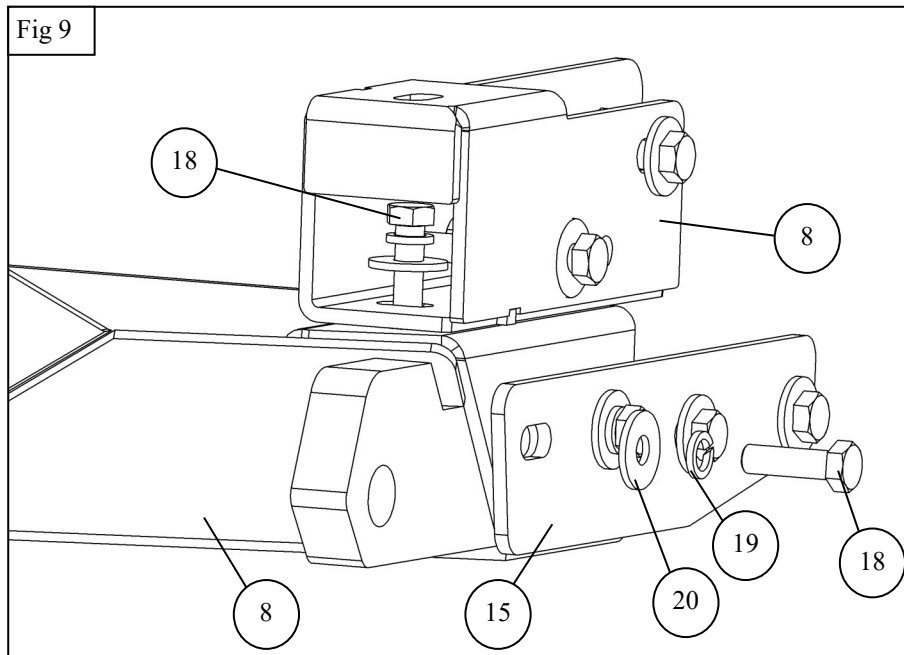


7. Locate the tray mounting brackets. Using supplied M12 hardware, loosely assemble the tray brackets by sliding into the frame. See **Figure 5-8**. Use the square washer on the inner sides of the frame rail.

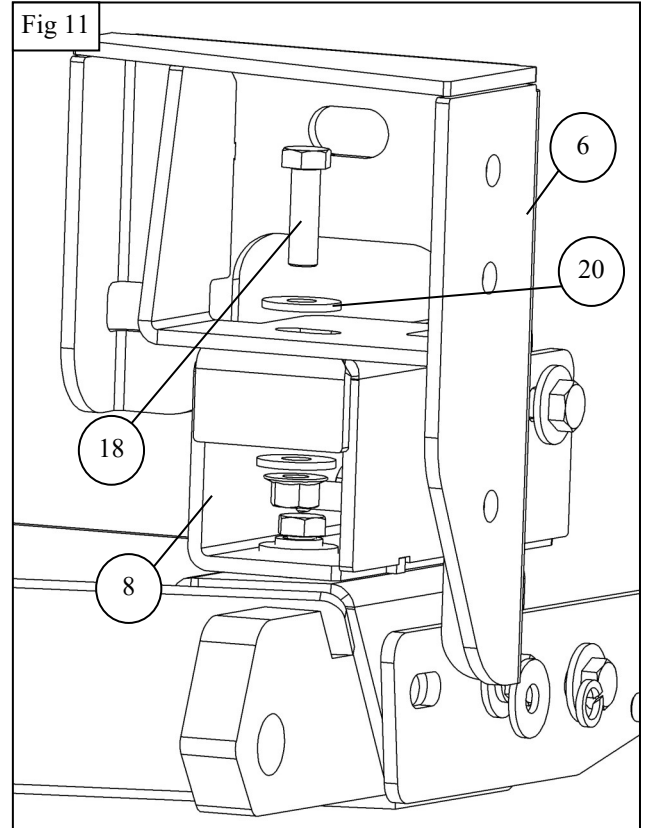
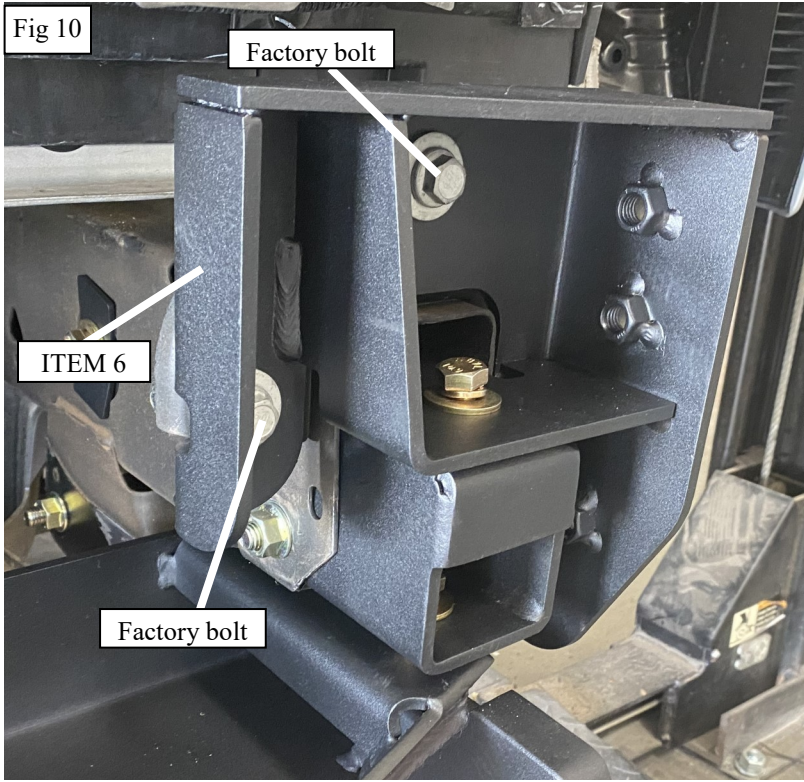




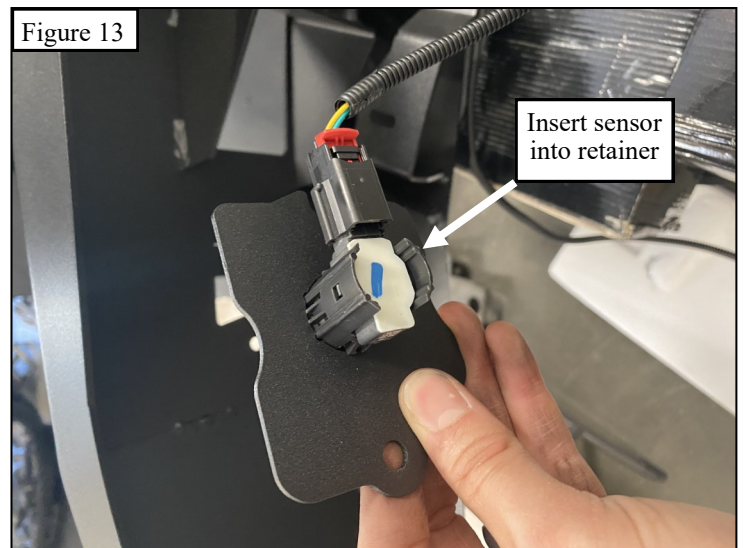
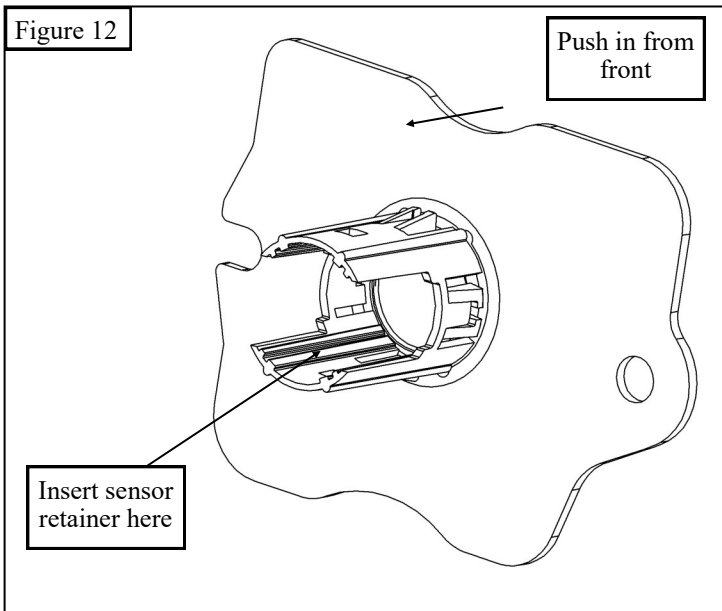
8. Locate the winch tray. Using supplied M12 hardware, mount the winch tray to the tray mounting brackets. See Figure 9

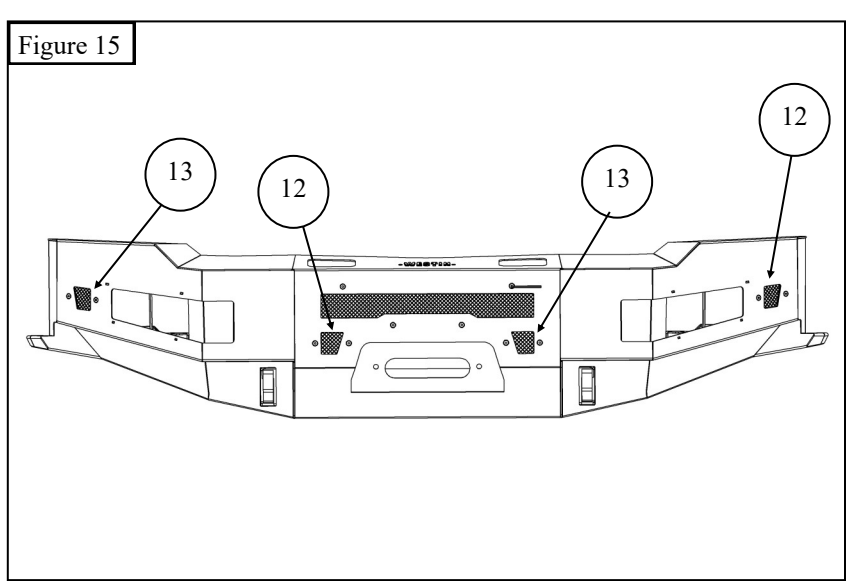
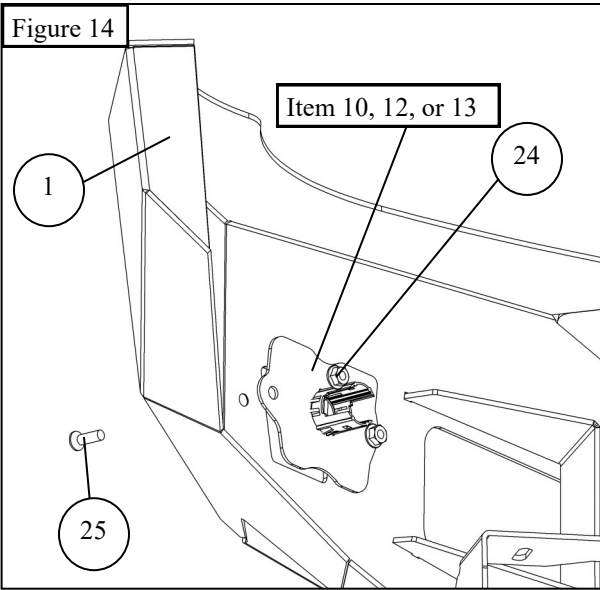


14. Locate the main mounting brackets. Using factory hardware and supplied M12 hardware, loosely assemble the main brackets to the frame and tray brackets. **Note: leave snug enough to adjust for later. See Figure 10-11**

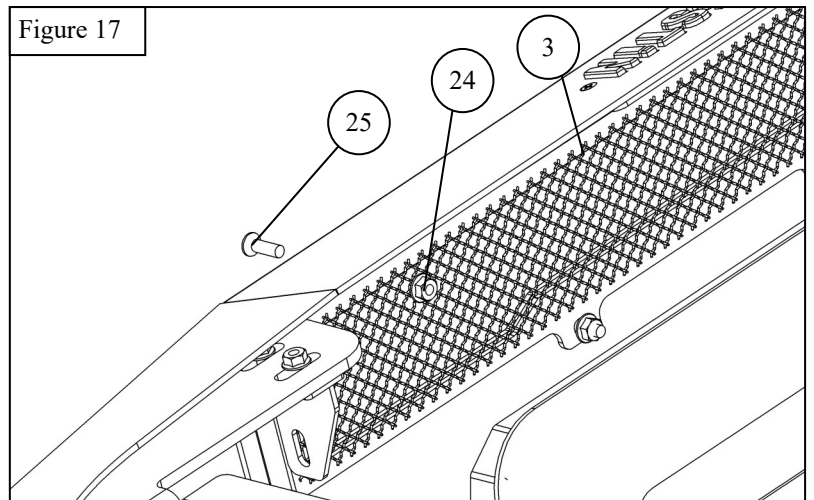
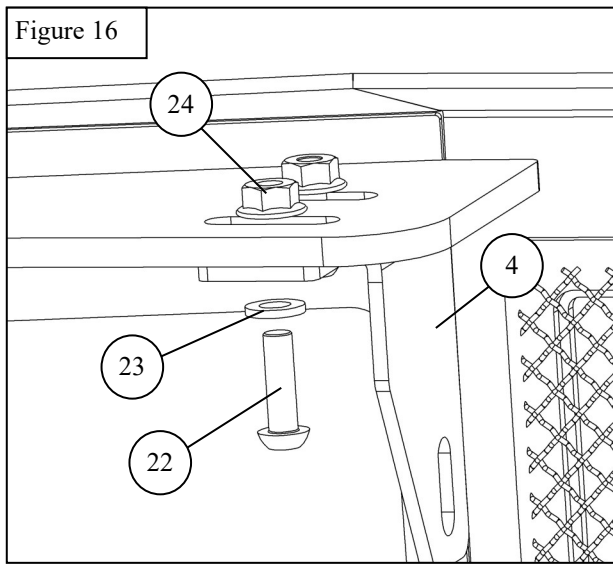


15. If using sensors, install the optional sensor plates where the corner mesh covers are. (M6 hardware)
16. Remove the sensors and retainers from the stock bumper. Using the provided wire extension harness, install the factory sensor retainer into each of the sensor plates **from the front**. **Note: Ensure to install sensors in the same orientation you removed them. See Figure 12-14**
17. **If you are not installing sensors**– Install mesh covers A and B using supplied M6 hardware. **See Figure 15**





18. Install the led light mesh cover using supplied M6 hardware. **See Figure 17**
 19. If installing a light bar, install using the supplied LED light brackets and supplied M6 hardware, if applicable. Install light per manufacturers recommendation. **See Figure 16**
 20. If using light pods, install at this time.



21. Measure the outer distance of the main mounting brackets. Make sure the distance matches the inner distance on the bumper mounting locations. (about 37 inches) **See Figure 18**
22. With help, mount the bumper to the mounting brackets using supplied M12 hardware. **See Figure 19**
23. Adjust as needed and torque all hardware as specified: M6 to 7 ft. lbs, M12 to 55-60 ft-lbs.

Figure 18

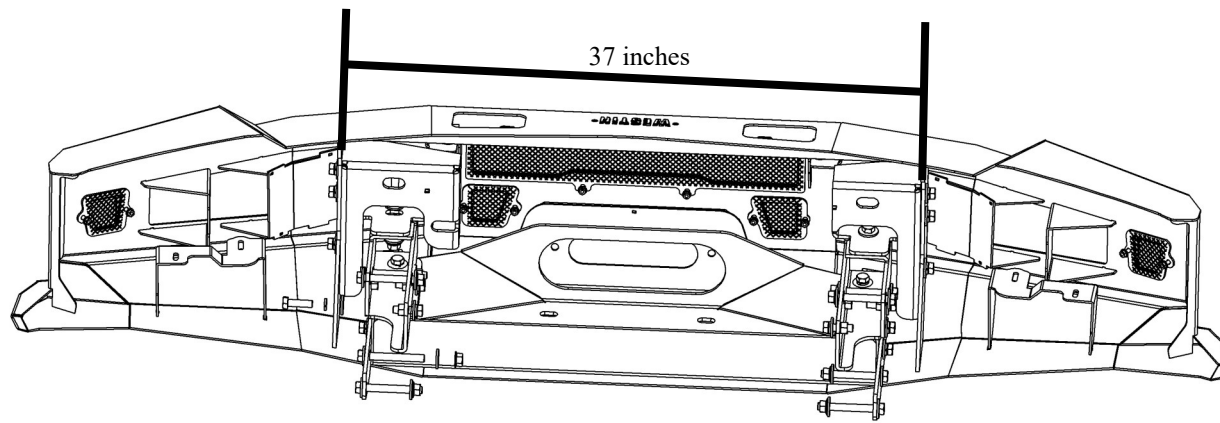
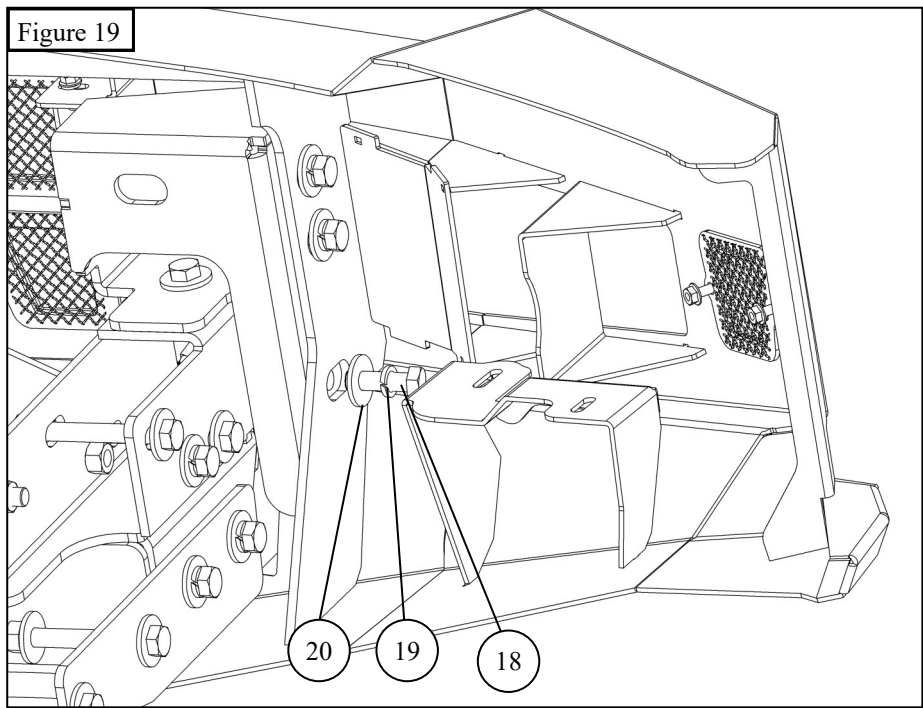


Figure 19



INSTALLATION COMPLETE



CARE INSTRUCTIONS

- REGULAR WAXING IS RECOMMENDED. DO NOT USE ANY TYPE OF POLISH OR WAX THAT MAY CONTAIN ABRASIVES.
- STAINLESS STEEL PRODUCTS CAN BE CLEANED WITH MILD SOAP AND WATER. STAINLESS STEEL POLISH SHOULD BE USED TO POLISH SMALL SCRATCHES.
- GLOSS BLACK FINISHES SHOULD BE CLEANED WITH MILD SOAP AND WATER.

WESTIN Westin Automotive Products, Inc.
320 W. Covina Blvd
San Dimas, Ca. 91773

P.N.: 75-58411215-RevA

ECO #: W20-0116

Thank you for choosing Westin products
for additional installation assistance please call
Customer Service (800) 793-7846

www.westinautomotive.com

DATE: 03/18/2021



WARNING



Failure to follow these instructions could lead to death, personal injury, and / or property damage.

Failure to follow these instructions could lead to death, personal injury, and / or property damage.

FASTENERS:

All Westin supplied fasteners must be utilized and installed in accordance with the installation instructions and apply torque to the specifications as defined. **DOUBLE CHECK ALL FASTENERS BEFORE INITIAL USE, AND PERIODICALLY IN THE FUTURE TO ENSURE PROPER FUNCTION AND SAFETY.**

DRILLING:

Most Westin products do not require drilling for installation. If drilling is defined as required, use caution when drilling a vehicle. **FAILURE TO REVIEW AN AREA TO BE DRILLED MAY RESULT IN PERSONAL INJURY AND/OR INJURY TO OTHERS AS WELL AS VEHICLE DAMAGE.**

EYE PROTECTION:

ALWAYS WEAR SAFETY GLASSES OR GOGGLES DURING THE INSTALLATION PROCESS TO AVOID PERSONAL INJURY.

MAXIMUM TOWING/CARRYING CAPACITY: (if applicable)

The Westin Receiver Hitches will have a visible tow rating label affixed directly on the product. User should never exceed the vehicle manufacturers maximum tow and weight rating regardless of the capacity of the hitch. **FAILURE TO FOLLOW THESE GUIDELINES WILL VOID THE WESTIN WARRANTY AND MAY RESULT IN PERSONAL INJURY AND/OR INJURY TO OTHERS AS WELL AS VEHICLE DAMAGE.**

FOR CALIFORNIA RESIDENTS ONLY-PROP 65 WARNING:

Some products may contain chemicals such as DEHP, which can cause cancer, birth defects or other reproductive harm. For more info go to www.p65warnings.ca.gov