

# INSTALLATION INSTRUCTIONS

## PRO-MOD FRONT BUMPER



APPLICATION:  
Ford F-150 2021  
PART NUMBER:  
58-41245

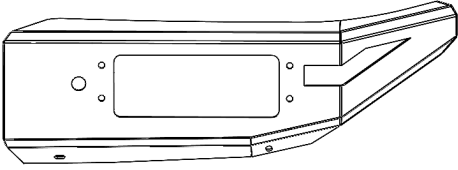
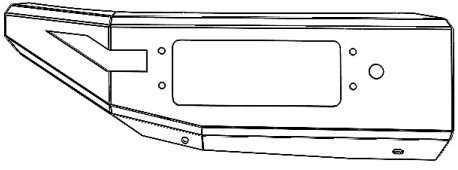
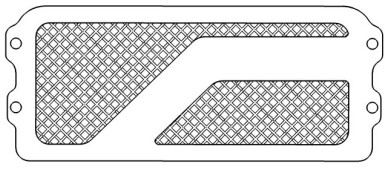
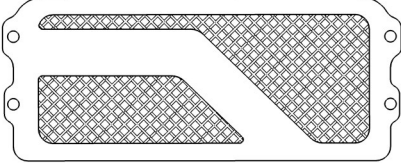
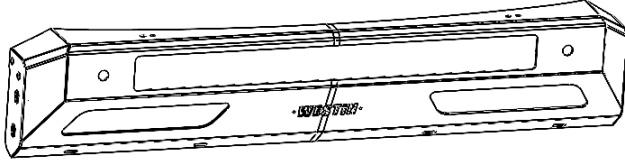
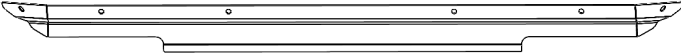
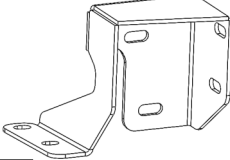
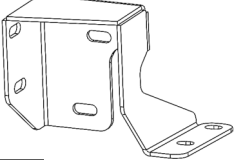
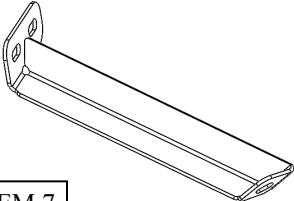
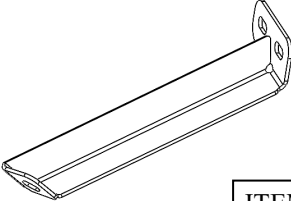
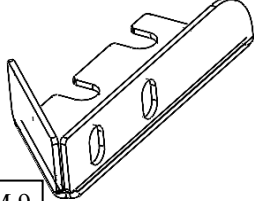
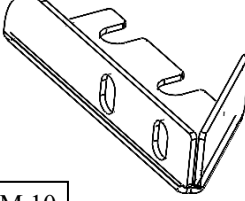
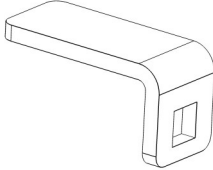
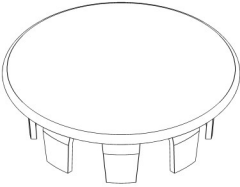
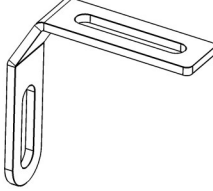
CONTENT			
ITEM	QUANTITY	DESCRIPTION	TOOLS NEEDED
1	2	SIDE POD ASSEMBLY (1 DRIVER, 1 PASSENGER)	10MM SOCKET
2	2	MESH SIDE COVERS (1 DRIVER, 1 PASSENGER)	10MM WRENCH
3	1	CENTER SECTION	13MM SOCKET
4	1	VALANCE SKID PLATE	13MM WRENCH
5	1	DRIVER MOUNTING BRACKET	16MM SOCKET
6	1	PASSENGER MOUNTING BRACKET	16MM WRENCH
7	1	DRIVER BASE SUPPORT BRACKET	18MM SOCKET
8	1	PASSENGER BASE SUPPORT BRACKET	19MM WRENCH
9	1	DRIVER SUPPORT SIDE STRAP	RATCHET
10	1	PASSENGER SUPPORT SIDE STRAP	TORQUE WRENCH
11	4	SENSOR TAB	
12	4	SENSOR PLUG	
13	2	LED LIGHT BRACKET	
14	12	M6 BUTTON HEAD BOLT	
15	16	M6 BIG FLAT WASHER	
16	12	M8 FLAT WASHER	
17	12	M8 BUTTON HEAD BOLT	
18	6	M8 SPLIT LOCK WASHER	
19	12	M12 SERRATED FLANGE HEX NUT	
20	12	M12 HEX HEAD BOLT	
21	12	M12 FLAT WASHER	
22	6	M8 SERRATED FLANGE NUT	
23	12	M6 SERRATED FLANGE NUT	
24	6	M8 U-CLIP	
25	4	M10 HEX HEAD BOLT	
26	4	M10 SERRATED FLANGE NUT	
27	4	M10 FLAT WASHER	
28	4	M6 HEX HEAD NUT	
29	4	M6 SMALL FLAT WASHER	

**ANTI-SEIZE LUBRICANT MUST BE USED ON ALL STAINLESS STEEL FASTENERS TO PREVENT THREAD DAMAGE AND GALLING**

## CONTENT (CONTINUED)

ITEM	QUANTITY	DESCRIPTION	TOOLS NEEDED
30	4	M6 CARRIAGE BOLT	

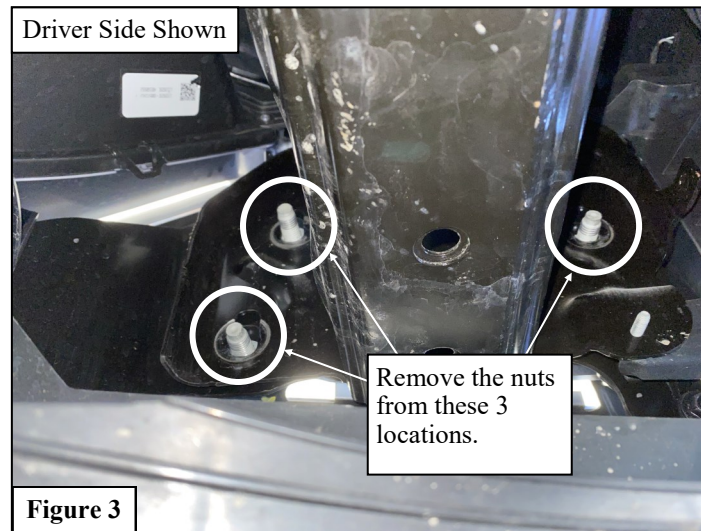
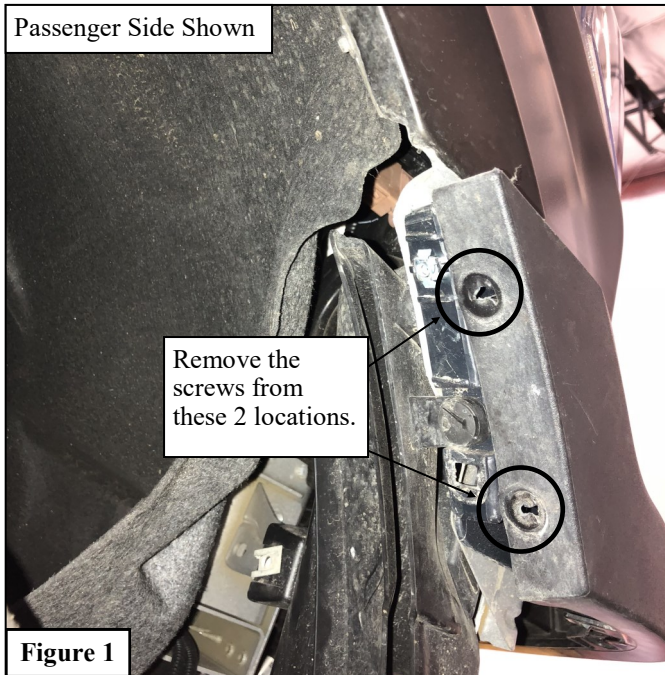
**ANTI-SEIZE LUBRICANT MUST BE USED ON ALL STAINLESS STEEL FASTENERS TO PREVENT THREAD DAMAGE AND GALLING**

			
ITEM 1 (Driver)	ITEM 1 (Passenger)	ITEM 2 (Driver)	
			
ITEM 2 (Passenger)		ITEM 3	
			
ITEM 4	ITEM 5	ITEM 6	
			
ITEM 7	ITEM 8	ITEM 9	ITEM 10
			
ITEM 11	ITEM 12	ITEM 13	

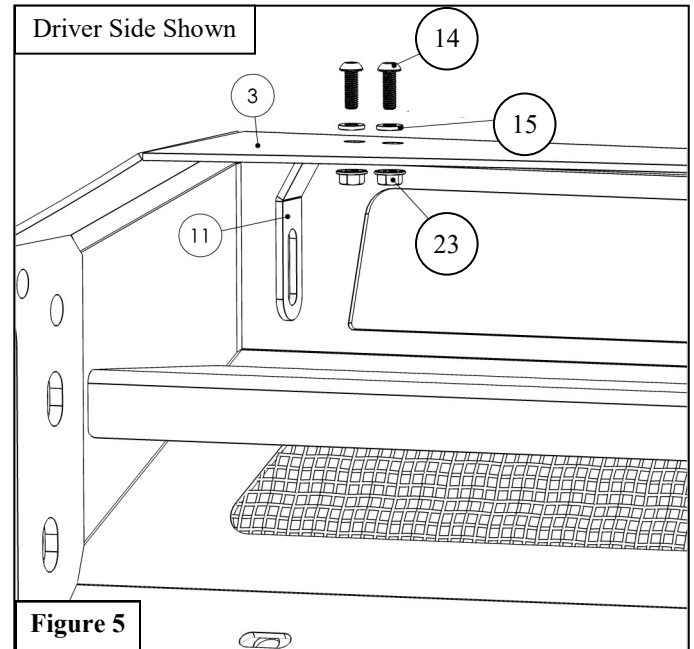
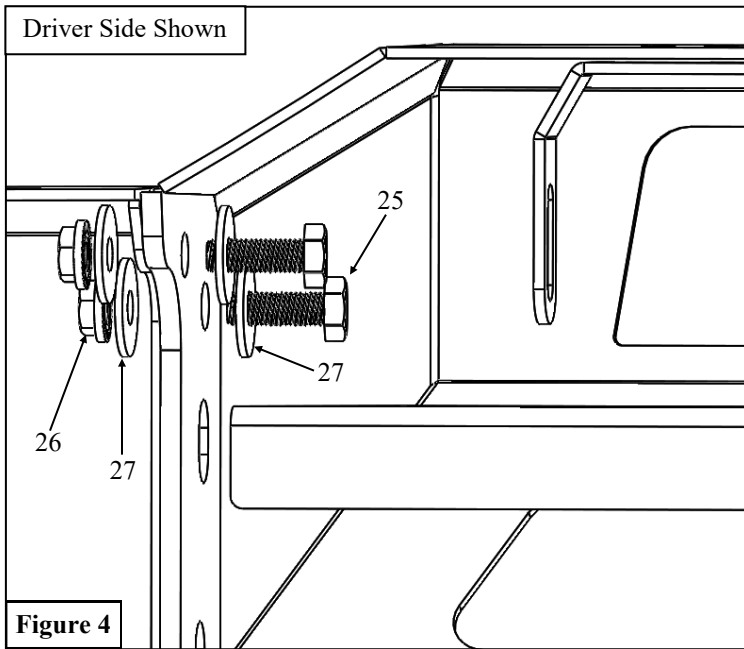
### PROCEDURE

1. Remove contents from box, verify if all parts listed are present and free from damage. Carefully read and understand all instructions before attempting installation.  
**Failure to identify damage before installation could lead to a rejection of any claim.**

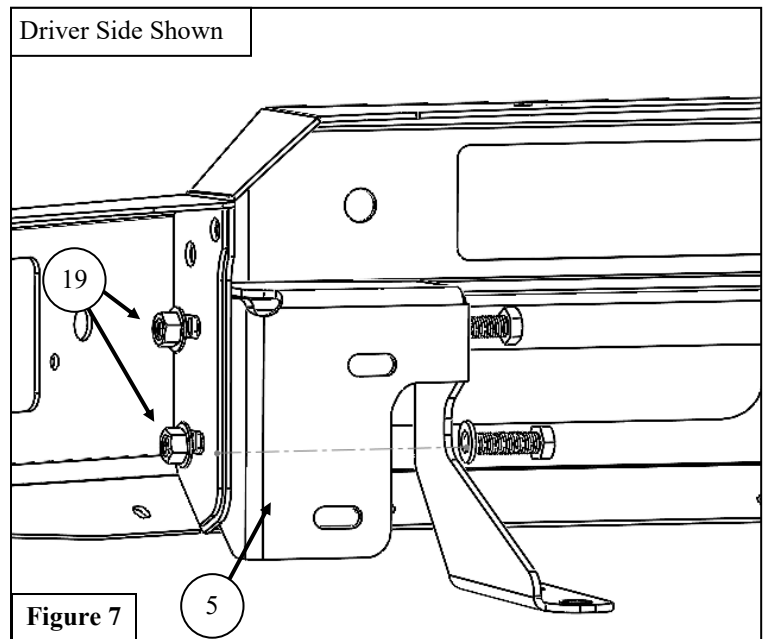
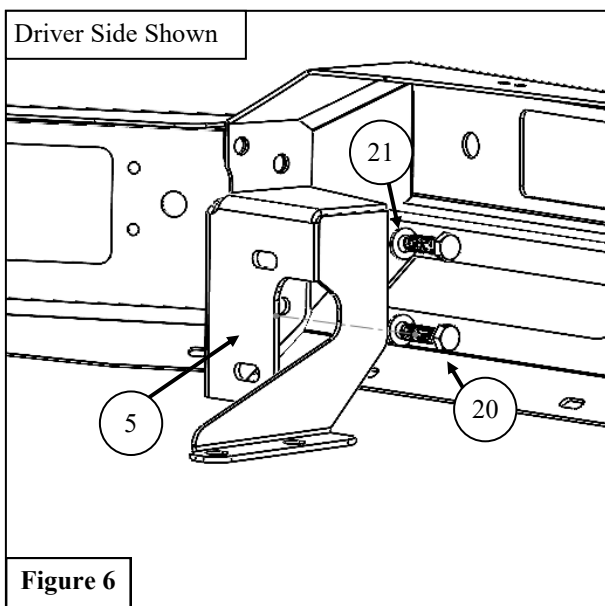
2. Remove the two small trim screws from the plastic trim pieces on both sides of the vehicle. See **Figure 1**.
3. Starting on either side, carefully pull and remove the front fascia panel shown in **Figure 2**.
4. On the inner side of the bumper, near the vehicle frame on both sides, remove the three nuts from the locations shown in **Figure 3**. *Note: Assistance may be needed with bumper removal.*



5. Use the supplied M10 Hardware to attach each Side Pod Assembly (1,2) to the Center Section (3). See **Figure 8**.
6. Use the supplied M6 Hardware to attach the LED Brackets (11) to the center section. See **Figure 9**. *Note: If installing an LED Light Bar (sold separately), install it at this time.*



7. Proceed to install the inner driver and passenger Parking Sensors. Refer to Parking Sensor installation instructions on the following page. The outer driver and passenger Parking Sensors can be installed in Step 13.
8. Loosely install the bumper assembly to the Mounting Brackets (5, 6) using the supplied M12 Hardware. See **Figures 6 & 7**.





## PARKING SENSOR INSTALLATION

**\*If not installing sensors, install Hole Plugs (12) into holes on bumper and proceed.**

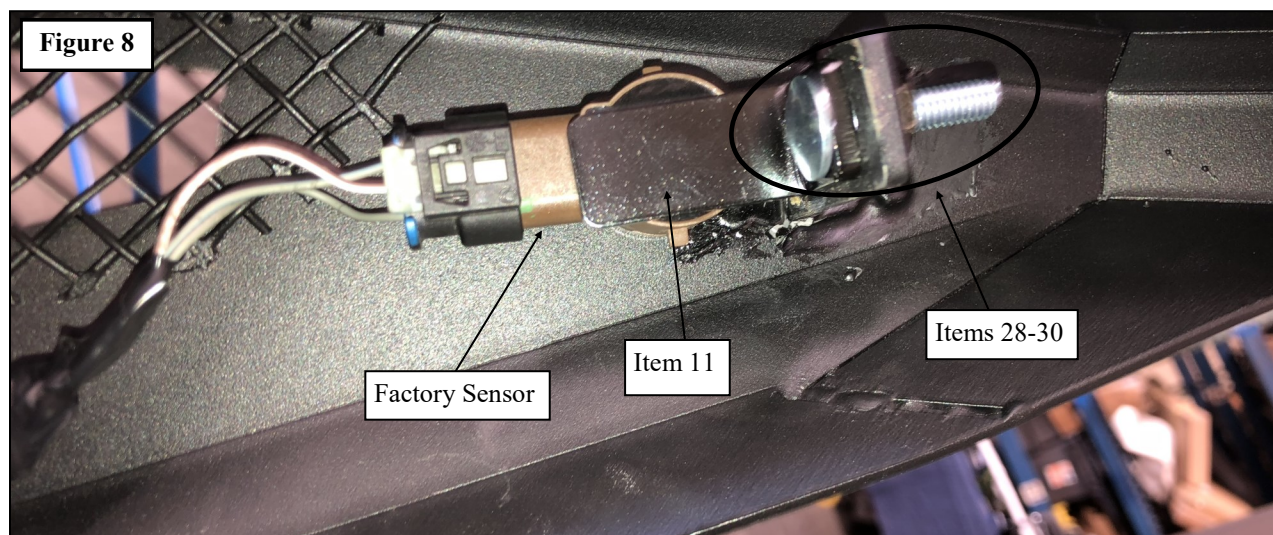
1. Remove the parking sensors from the OEM bumper. Pay attention to the orientation of the sensors. They must be installed in the same orientation. Handle sensors with care, they are very delicate .
2. Use the Sensor Tab (11) along with the supplied M6 Hardware (28-30) to install the sensors as shown in **Figure 8**.

### Note:

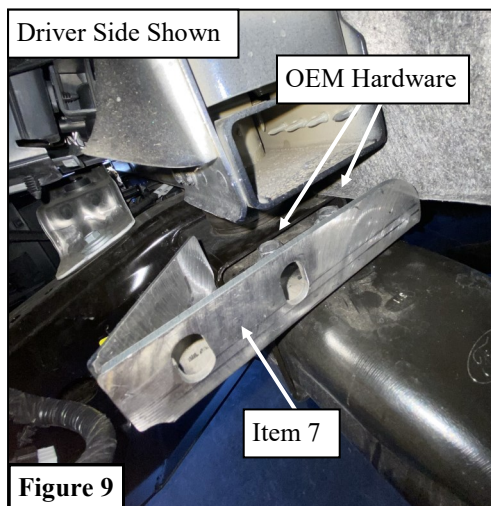
- **It would be easiest to install the inner passenger and driver parking sensors before mounting the bumper to the vehicle as noted in Step 7. Once the bumper is mounted, aligned, and torqued, the two outer parking sensors can be installed.**
  - **Make sure to install using OEM rubber grommet and center the sensor in the hole.**

3. Carefully route the harness around the bumper.

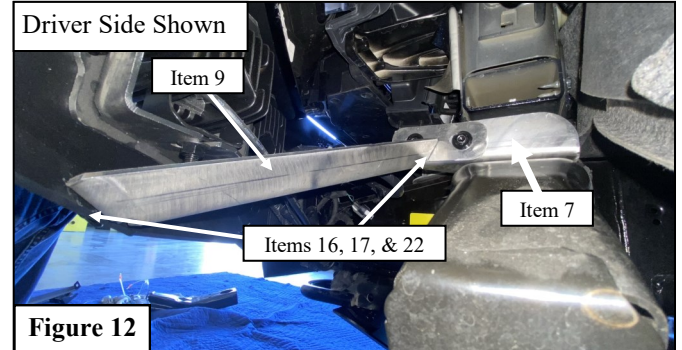
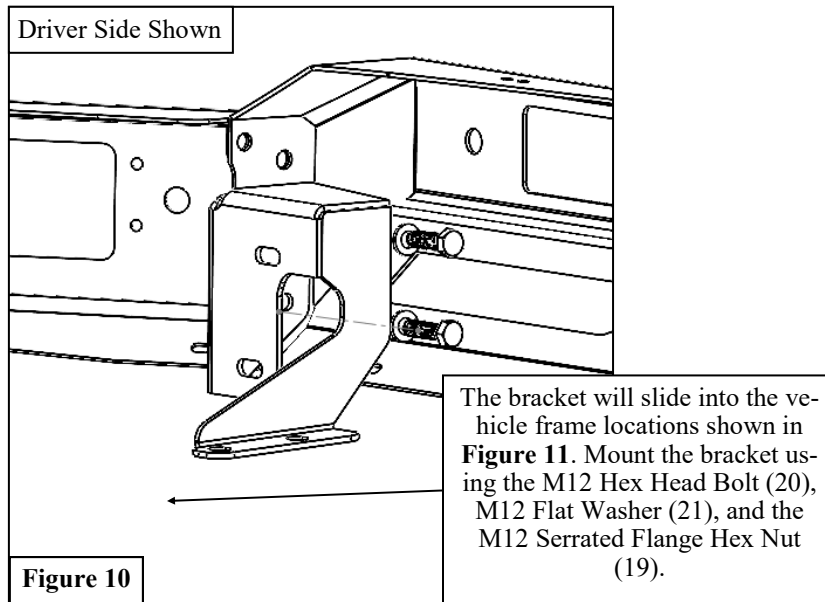
Note: Zip ties or double sided tape can be used to route harness and to hold the sensor in position.



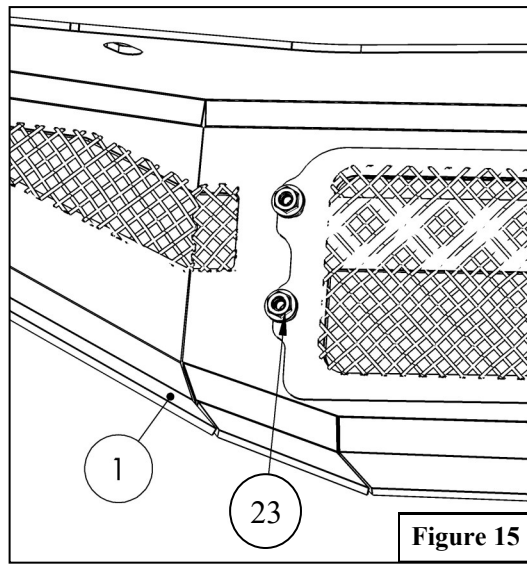
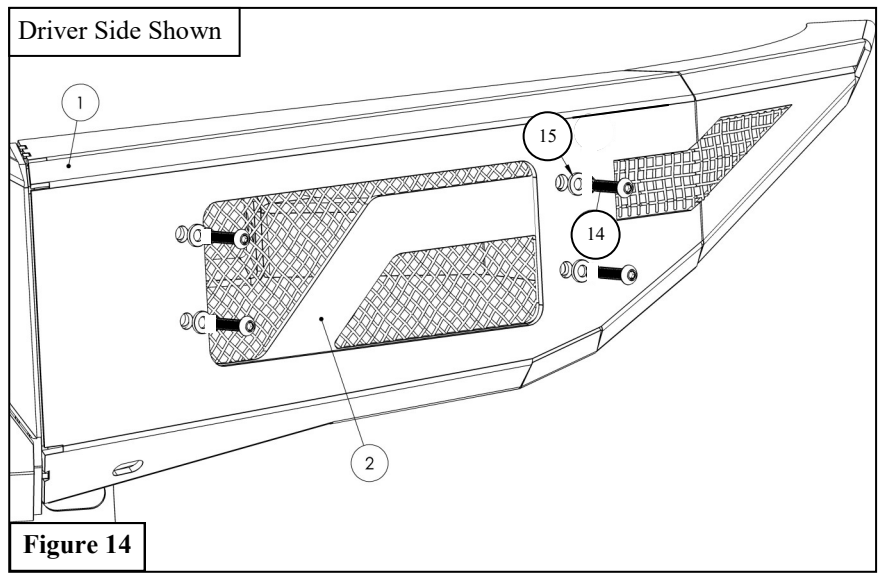
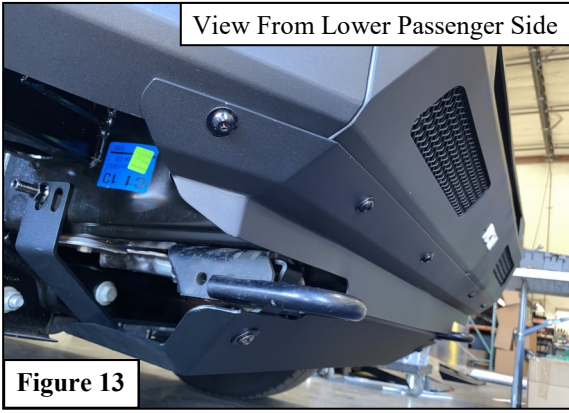
9. Loosely install the Base Support Brackets (7,8) to the frame of the vehicle using the factory hardware. See **Figure 9**.



11. Loosely attach the preassembled bumper to the vehicle frame using the supplied M12 Hardware. See **Figure 10 and 11.**
12. Loosely attach the Support Side Straps (9,10) to the Base Support Brackets (7,8), and to rear of the bumper using the supplied M8 hardware. See **Figure 12.**
13. Align and adjust bumper as desired and torque all hardware as specified: M6 to 7 ft-lbs, M10 to 38 ft-lbs, M12 to 60 ft-lbs.
14. The outer driver and passenger Parking Sensors may now be installed. Refer to Parking Sensor installation instructions on the previous page. Route the sensor harness as needed throughout the bumper.



15. Using the supplied M8 Hardware (Items 16-18. & 24) attach the Valence Skid Plate (Item 4) to the bumper as shown in **Figure 13.**
16. Attach the Mesh Side Covers (2) to the Bumper using the supplied M6 Hardware. See **Figures 14 & 15.**





INSTALLATION COMPLETE



LED Lights, side pod light mounts (58-9915), and skid plate sold separately (58-74125)

#### CARE INSTRUCTIONS

- REGULAR WAXING IS RECOMMENDED. DO NOT USE ANY TYPE OF POLISH OR WAX THAT MAY CONTAIN ABRASIVES.
- STAINLESS STEEL PRODUCTS CAN BE CLEANED WITH MILD SOAP AND WATER. STAINLESS STEEL POLISH SHOULD BE USED TO POLISH SMALL SCRATCHES.
- GLOSS BLACK FINISHES SHOULD BE CLEANED WITH MILD SOAP AND WATER.

**WESTIN**

Westin Automotive Products, Inc.  
320 W. Covina Blvd  
San Dimas, Ca. 91773

Thank you for choosing Westin products  
for additional installation assistance please call  
Customer Service (800) 793-7846  
[www.westinautomotive.com](http://www.westinautomotive.com)





## WARNING



Failure to follow these instructions could lead to death, personal injury, and / or property damage.

Failure to follow these instructions could lead to death, personal injury, and / or property damage.

### FASTENERS:

All Westin supplied fasteners must be utilized and installed in accordance with the installation instructions and apply torque to the specifications as defined. **DOUBLE CHECK ALL FASTENERS BEFORE INITIAL USE, AND PERIODICALLY IN THE FUTURE TO ENSURE PROPER FUNCTION AND SAFETY.**

### DRILLING:

Most Westin products do not require drilling for installation. If drilling is defined as required, use caution when drilling a vehicle. **FAILURE TO REVIEW AN AREA TO BE DRILLED MAY RESULT IN PERSONAL INJURY AND/OR INJURY TO OTHERS AS WELL AS VEHICLE DAMAGE.**

### EYE PROTECTION:

**ALWAYS WEAR SAFETY GLASSES OR GOGGLES DURING THE INSTALLATION PROCESS TO AVOID PERSONAL INJURY.**

### MAXIMUM TOWING/CARRYING CAPACITY: (if applicable)

The Westin Receiver Hitches will have a visible tow rating label affixed directly on the product. User should never exceed the vehicle manufacturers maximum tow and weight rating regardless of the capacity of the hitch. **FAILURE TO FOLLOW THESE GUIDELINES WILL VOID THE WESTIN WARRANTY AND MAY RESULT IN PERSONAL INJURY AND/OR INJURY TO OTHERS AS WELL AS VEHICLE DAMAGE.**

### FOR CALIFORNIA RESIDENTS ONLY-PROP 65 WARNING:

Some products may contain chemicals such as DEHP, which can cause cancer, birth defects or other reproductive harm. For more info go to [www.p65warnings.ca.gov](http://www.p65warnings.ca.gov)



Westin Automotive Products, Inc.  
320 W. Covina Blvd  
San Dimas, Ca. 91773