

# INSTALLATION INSTRUCTIONS

## PRO SERIES REAR BUMPER



### APPLICATION:

Chevrolet Silverado/ Sierra 1500 2019-2021  
(Excl. 2019 Silverado LD/Limited); Chevrolet  
Silverado/Sierra 2500/3500 2020-2021

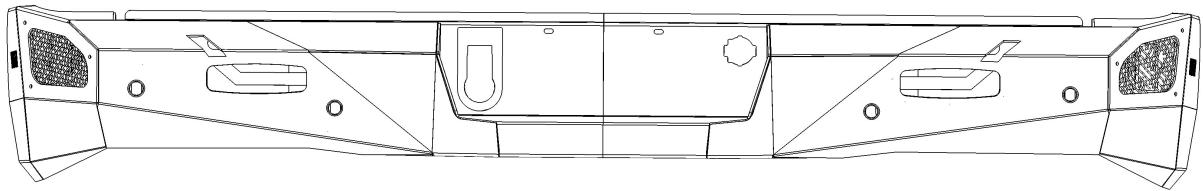
### PART NUMBER:

58-421215

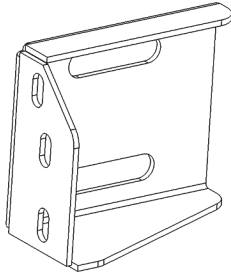
CONTENT			
ITEM	QUANTITY	DESCRIPTION	TOOLS NEEDED
1	1	REAR BUMPER	10MM SOCKET
2	1	DRIVER MAIN BRACKET	10MM WRENCH
3	1	PASSENGER MAIN BRACKET	19MM SOCKET
4	1,1	MONITOR MOUNTING PLATE DVR, PASS	19MM WRENCH
5	1	DRIVER MONITOR BRACE	RATCHET
6	1	PASSENGER MONITOR BRACE	TORQUE WRENCH
7	1	DRIVER EXHAUST TIP BRACKET	ALLEN
8	1	PASSENGER EXHAUST TIP BRACKET	13MM SOCKET
9	4	SENSOR L-TAB	13MM WRENCH
10	4	SENSOR HOLE PLUG	
11	10	M12 SPLIT LOCK WASHER (YELLOW ZINC)	
12	10	M12 SERRATED FLANGE BOLT (YELLOW ZINC)	
13	20	M12 FLAT WASHER (YELLOW ZINC)	
14	10	M12 HEX NUT (YELLOW ZINC)	
15	4	M6 FLAT WASHER (YELLOW ZINC)	
16	4	M6 HEX NUT (YELLOW ZINC)	
17	4	M6 CARRIAGE BOLT (YELLOW ZINC)	
18	4	M6 SPLIT LOCK WASHER (YELLOW ZINC)	
19	2	M8 HEX HEAD BOLT (YELLOW ZINC)	
20	4	M8 FLAT WASHER (YELLOW ZINC)	
21	2	M8 SPLIT LOCK WASHER (YELLOW ZINC)	
22	2	M8 HEX NUT (YELLOW ZINC)	
23	6	M6 BUTTON HEAD BOLT (BLACK ZINC)	
24	6	M6 SERRATED FLANGE NUT (BLACK ZINC)	
25	6	M6 FLAT WASHER (BLACK ZINC)	
26	12	M5 BUTTON HEAD BOLT (BLACK ZINC)	
27	12	M5 SERRATED FLANGE NUT (BLACK ZINC)	
28	12	M5 FLAT WASHER (BLACK ZINC)	

**ANTI-SEIZE LUBRICANT MUST BE USED ON ALL STAINLESS STEEL FASTENERS TO PREVENT THREAD DAMAGE AND GALLING**

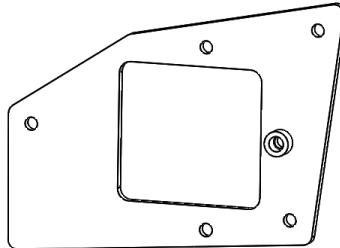
ITEM 1



ITEM 2

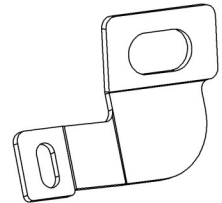


ITEM 4

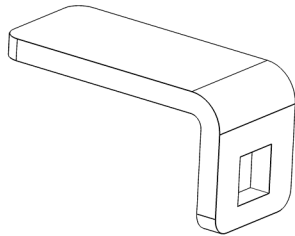


DRIVER SIDE SHOWN

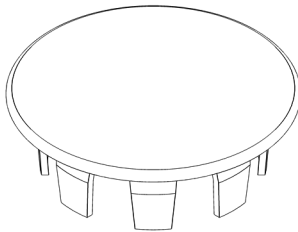
ITEM 7



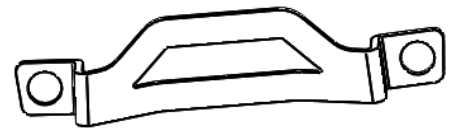
ITEM 9



ITEM 10



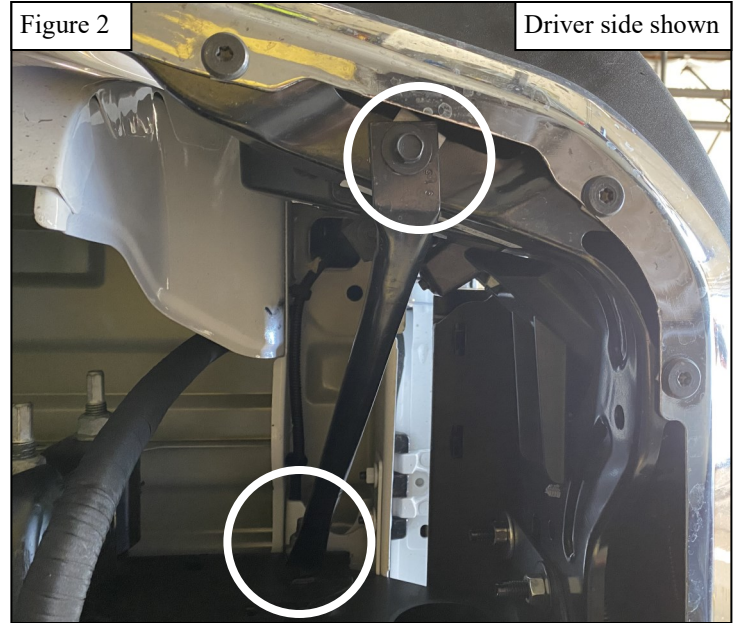
ITEM 5



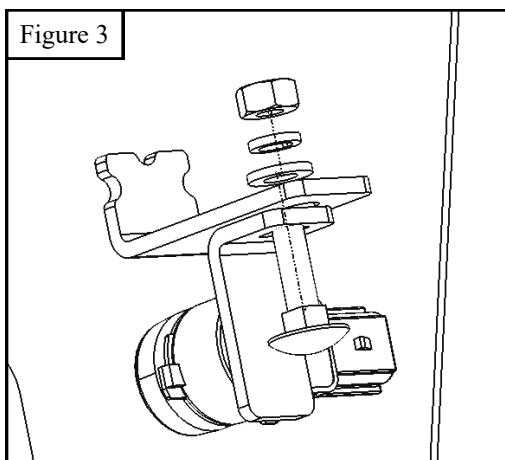
### PROCEDURE

1. Remove contents from box, verify if all parts listed are present and free from damage.  
Carefully read and understand all instructions before attempting installation.  
**Failure to identify damage before installation could lead to a rejection of any claim.**

2. Remove the tubular supports on sides of the OEM rear bumper.
3. Remove all of the electrical connections carefully from the OEM rear bumper. **Note: Make sure to pay attention to the orientation and location of the OEM parking sensors as they need to be reinstalled in the same orientation.**
4. Remove the two nuts and two bolts on each side of the rear bumper. See Figure 1 & 2 for reference.
5. Remove the rear bumper.



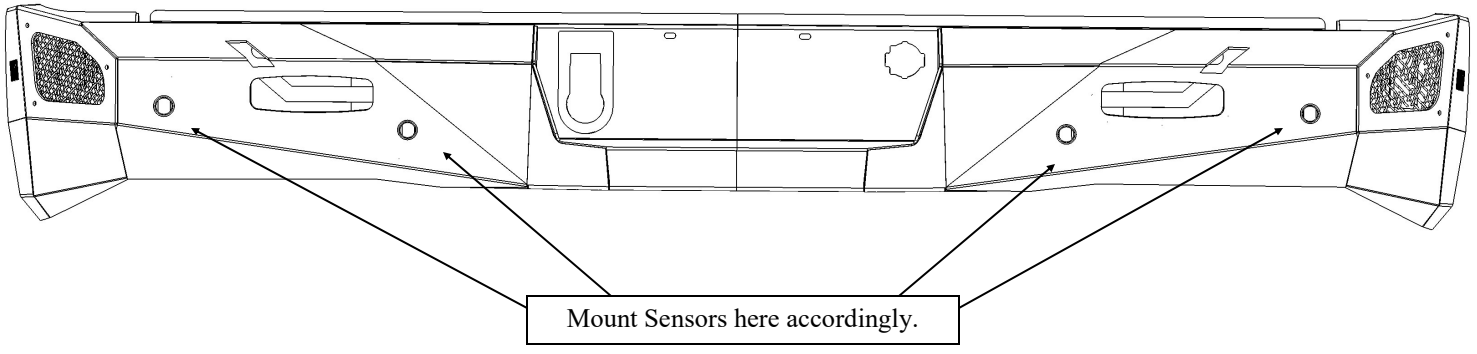
6. Install the OEM parking sensors by inserting them into the corresponding holes on the Pro-Series bumper. Press and align the sensors as necessary with the sensor L-tabs against the bumper plate. Fasten the L-tabs with the supplied M6 hardware (15-18). See Figures 3, 4, & 5 for reference. **Note: Be sure to maintain the orientation of the OEM sensors so that it remains consistent with its original orientation.**
7. Tighten M6 hardware to 5-7 ft-lbs. **Note: If sensors are not equipped, install the supplied sensor plugs into the hole openings.**



Make sure to maintain OEM orientation of sensors.



Figure 5



8. **If the blind spot monitor is equipped:** Remove the blind spot monitor from the OEM bumper and using the Monitor Mounting Plates and Braces (Items 4-6), mount the monitor using the provided M5 and M6 hardware. See **Figures 6, 7, & 8** for reference.
9. **If the blind spot monitor is not equipped:** Leave cover attached on the Pro-Series bumper and proceed to the next step.

Figure 6

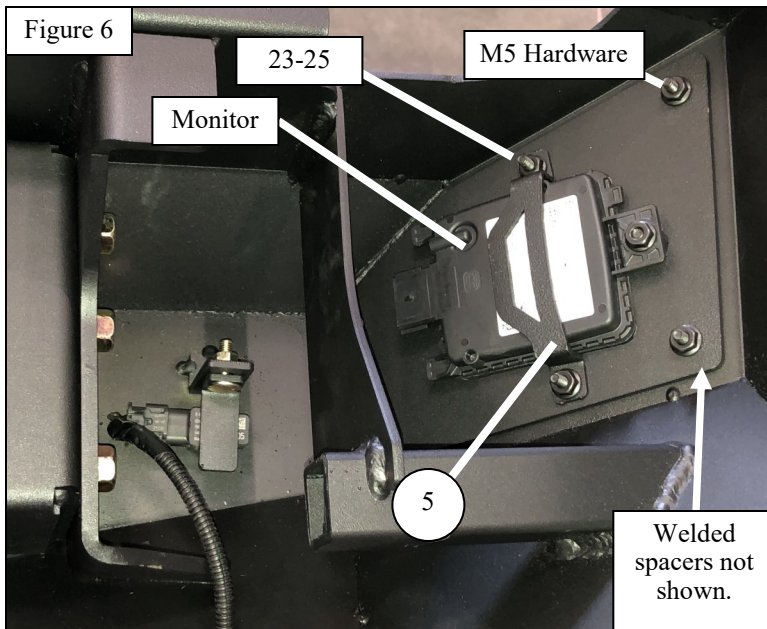


Figure 7

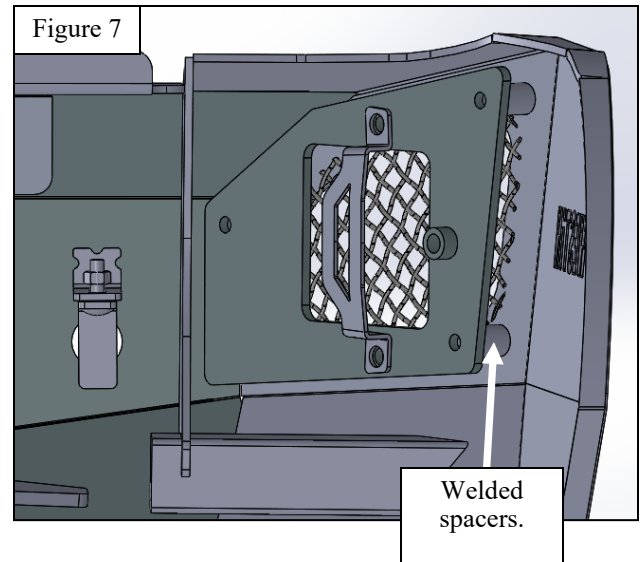
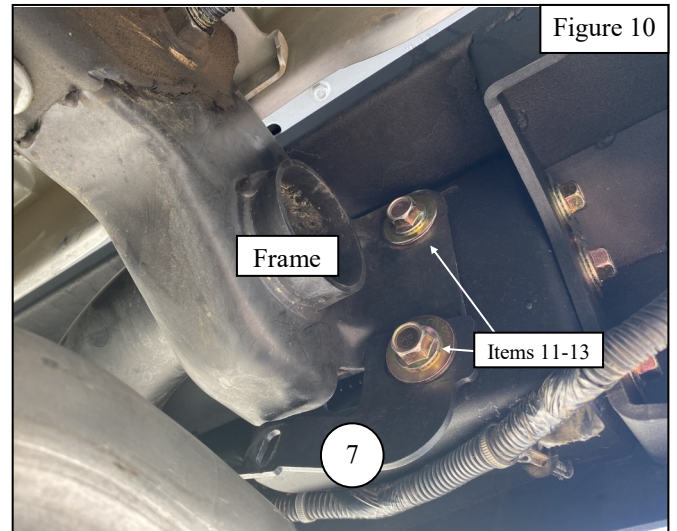
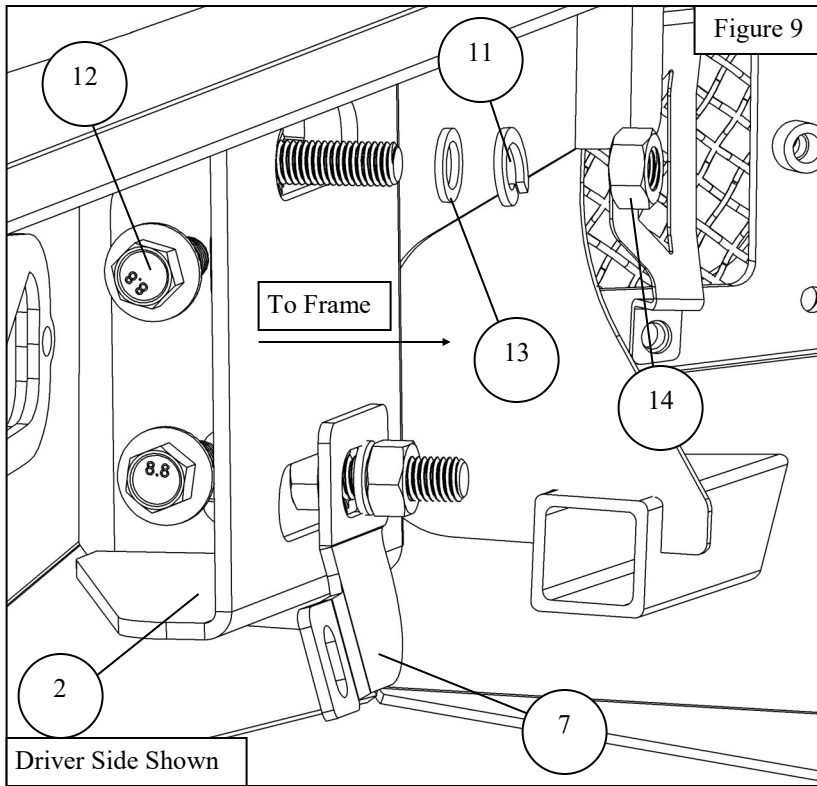


Figure 8



10. Using the supplied M12 hardware, loosely install bumper brackets on to the bumper. Then loosely mount the bumper onto the frame brackets. See **Figure 9 & 10** for reference.



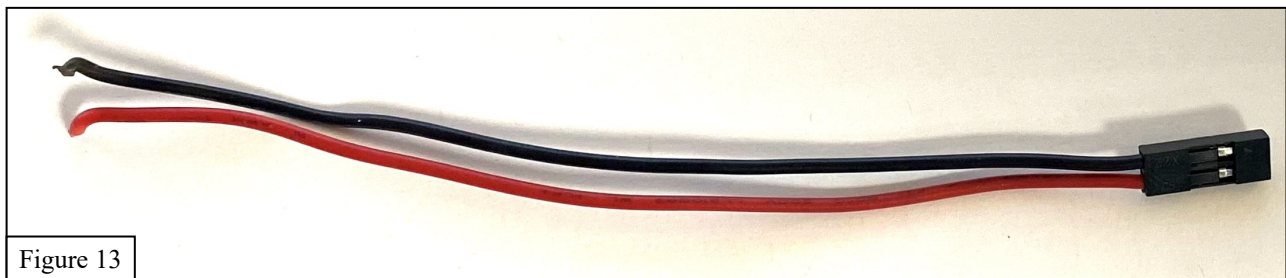
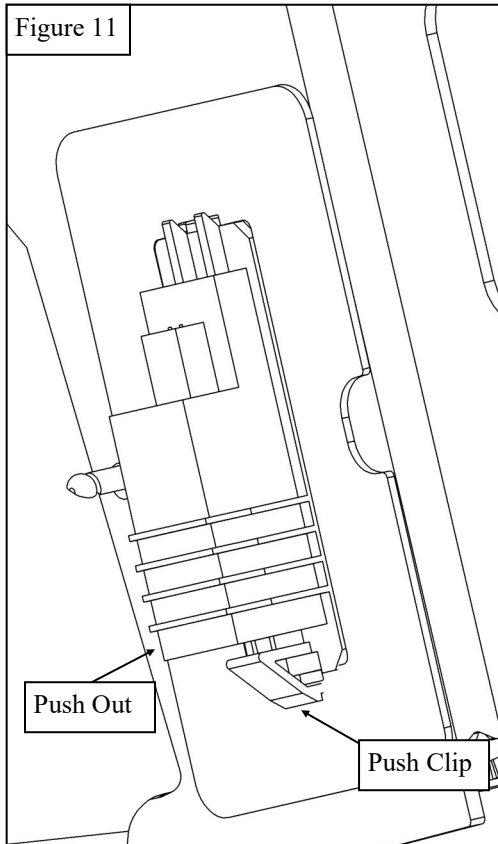
11. Once the bumper is installed, route and secure the wiring harnesses with zip ties as needed.
12. Install the Trailer Plug and license plate onto the bumper.

**WARNING:**

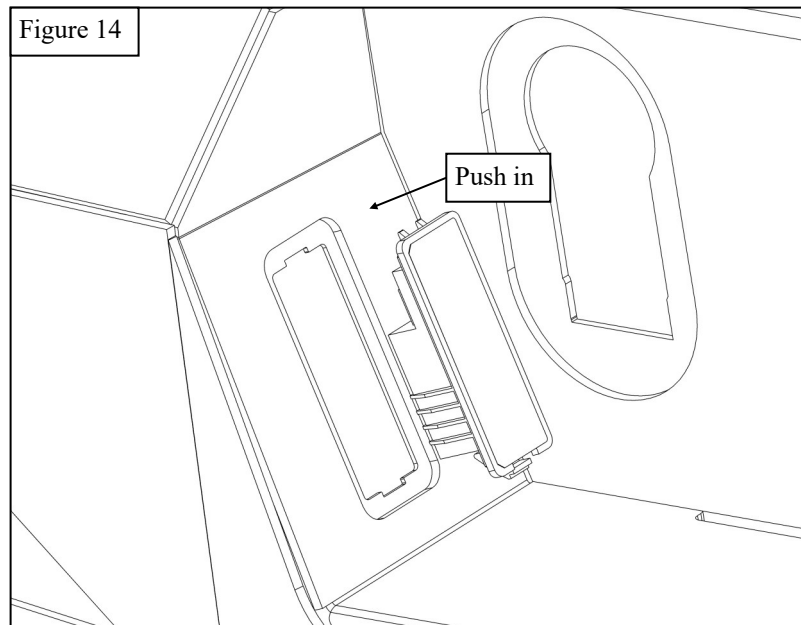
**After the bumper is mounted onto the main brackets. CAREFULLY open the tailgate. While the tailgate is open, align and adjust the bumper so that it has about 3/8" of clearance with respect to the tailgate. Torque the M12 hardware to 50-55 ft-lbs.**

## License Plate Lights Installation

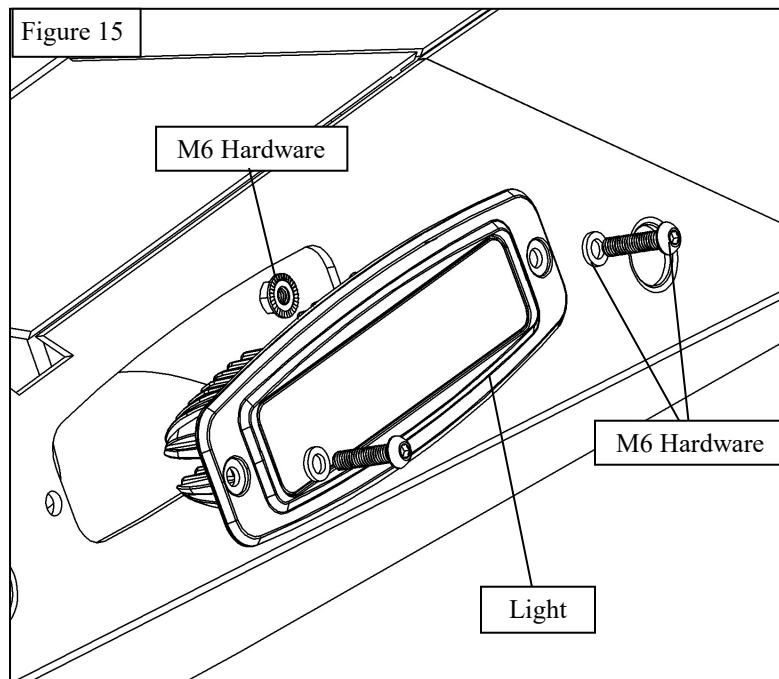
1. Disconnect the battery from your vehicle.
  2. Locate the license plate lights (pre-installed) in the bumper. Pop out the lights by squeezing the clips in on the backside. **See Figure 11** for reference.
  3. Locate the factory wiring for the license plate lights. Strip back the wiring on the factory harness and supplied light. Using connectors, crimp the red wire on the positive factory wire and the black wire to the factory ground wire. **See Figure 12.**
- Note: Only the portion shown on **Figure 13** will be needed from the connector.



4. Push the light back in until it clips into place. Repeat on the opposite side. See **Figure 14** for reference.



5. If you are installing the optional reverse lights, remove the mesh covers and install the optional lights with the M6 hardware. See **Figure 15** for reference.
6. Locate the factory wiring for the reverse lights. Strip back the wiring on the factory harness and supplied light. Using connectors, crimp the red wire on the positive factory wire and the black wire to the factory ground wire.
7. Reconnect your battery.



**WESTIN**

Westin Automotive Products, Inc.  
320 W. Covina Blvd  
San Dimas, Ca. 91773

Thank you for choosing Westin products  
for additional installation assistance please call  
Customer Service (800) 793-7846

[www.westinautomotive.com](http://www.westinautomotive.com)

INSTALLATION COMPLETE



#### CARE INSTRUCTIONS

- REGULAR WAXING IS RECOMMENDED. DO NOT USE ANY TYPE OF POLISH OR WAX THAT MAY CONTAIN ABRASIVES.
- STAINLESS STEEL PRODUCTS CAN BE CLEANED WITH MILD SOAP AND WATER. STAINLESS STEEL POLISH SHOULD BE USED TO POLISH SMALL SCRATCHES.
- GLOSS BLACK FINISHES SHOULD BE CLEANED WITH MILD SOAP AND WATER.

**WESTIN** Westin Automotive Products, Inc.  
320 W. Covina Blvd  
San Dimas, Ca. 91773

Thank you for choosing Westin products  
for additional installation assistance please call  
Customer Service (800) 793-7846  
[www.westinautomotive.com](http://www.westinautomotive.com)





## WARNING



Failure to follow these instructions could lead to death, personal injury, and / or property damage.

Failure to follow these instructions could lead to death, personal injury, and / or property damage.

### FASTENERS:

All Westin supplied fasteners must be utilized and installed in accordance with the installation instructions and apply torque to the specifications as defined. **DOUBLE CHECK ALL FASTENERS BEFORE INITIAL USE, AND PERIODICALLY IN THE FUTURE TO ENSURE PROPER FUNCTION AND SAFETY.**

### DRILLING:

Most Westin products do not require drilling for installation. If drilling is defined as required, use caution when drilling a vehicle. **FAILURE TO REVIEW AN AREA TO BE DRILLED MAY RESULT IN PERSONAL INJURY AND/OR INJURY TO OTHERS AS WELL AS VEHICLE DAMAGE.**

### EYE PROTECTION:

**ALWAYS WEAR SAFETY GLASSES OR GOGGLES DURING THE INSTALLATION PROCESS TO AVOID PERSONAL INJURY.**

### MAXIMUM TOWING/CARRYING CAPACITY: (if applicable)

The Westin Receiver Hitches will have a visible tow rating label affixed directly on the product. User should never exceed the vehicle manufacturers maximum tow and weight rating regardless of the capacity of the hitch. **FAILURE TO FOLLOW THESE GUIDELINES WILL VOID THE WESTIN WARRANTY AND MAY RESULT IN PERSONAL INJURY AND/OR INJURY TO OTHERS AS WELL AS VEHICLE DAMAGE.**

### FOR CALIFORNIA RESIDENTS ONLY-PROP 65 WARNING:

Some products may contain chemicals such as DEHP, which can cause cancer, birth defects or other reproductive harm. For more info go to [www.p65warnings.ca.gov](http://www.p65warnings.ca.gov)



Westin Automotive Products, Inc.  
320 W. Covina Blvd  
San Dimas, Ca. 91773