

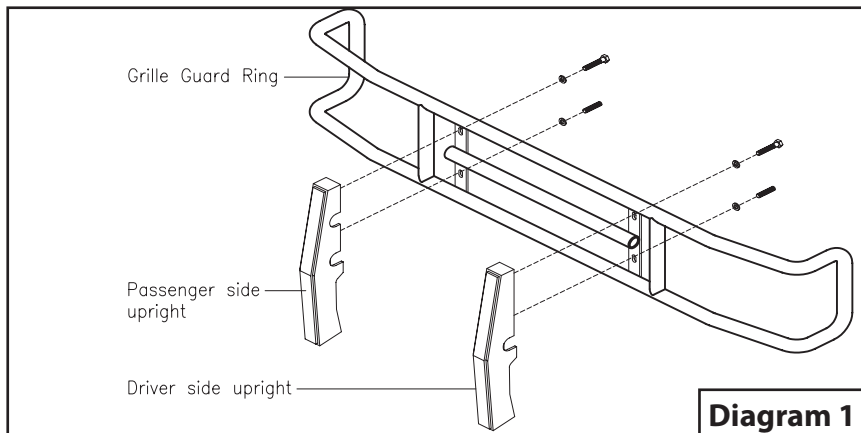
Big Tex Grille Guard

Installation Instructions

77752 / 77752B

Chevy Silverado 2500HD/3500
 2015 - 2017

Grille Guard Will Interfere with Front Parking Sensors.



Parts List:

- 1 - Grille Guard Ring
- 1 - Driver Side Upright
- 1 - Pass. Side Upright
- 1 - Driver Side Bracket #46754-17
- 1 - Pass. Side Bracket #46754-18
- 2 - Washer Plates #46754-9
- 2 - Nut Plates #46754-11
- 18 - 1/2"x 1 1/2" Bolts
- 28 - 1/2" Flat Washers
- 4 - 1/2" Lock Washers
- 10 - 1/2" Nylon Lock Nuts

*May include extra hardware.

Note: Completely read instructions before beginning installation!

1. Remove the contents from the box and check for missing pieces or damage. If parts are missing or damaged, contact the original place of purchase.
2. Remove the two factory bolts that attach the tow hooks to the frame and the tow hooks, on both the driver and passenger side. The bolts and tow hooks will not be reused.
3. Place driver side bracket #46754-17, shown in **Diagram 2**, through the tow hook bumper opening and inside of the frame; aligning the holes on the bracket with the holes in the frame. This is shown in **Diagram 5 & 6**.
4. Place (1) 1/2" flat washer onto (2) 1/2" x 1 1/2" bolts and place the bolts with washers through the horizontal holes in the bracket and the frame. The bolts need to be inserted from the inside of the frame outward, so the threaded part exits the frame. Place (1) 1/2" flat washer and (1) 1/2" nylon lock nut onto the bolts as shown in **Diagram 5**. Do not tighten at this time.
5. Place (1) nut plate #46754-11, shown in **Diagram 4**, into the frame and lay it on top of the bracket. Align the two holes in the nut plate with the two holes in the bottom of the bracket and frame. Place (1) 1/2" lock washer and (1) 1/2" flat washer onto (2) 1/2" x 1 1/2" bolts. Hold (1) washer plate #46754-9, shown in **Diagram 3**, up to the bottom of the frame. Align the two holes in the washer plate with the two holes in the frame, bracket and nut plate. Place (1) bolt with washers into each of the two holes, threading them into the nut plate on the inside of the frame. Assistance may be needed to hold the nut plate in place while starting the thread of the bolts into the nuts. Do not fully tighten the bolts at this time.
6. Repeat steps 3, 4, and 5 for the passenger side bracket #46754-18, which is shown in **Diagram 2**.
6. Align the (3) upright mounting holes to the three corresponding mounting holes in the brackets. The vertical portion of the bracket needs to be placed inside of the upright. The brackets do have (4) holes, (1) hole is not used for this grille guard installation. Attach the grille guard uprights to brackets using (3) 1/2" x 1 1/2" bolts, (6) 1/2" flat washers, and (3) nylon lock nuts per upright. The upright installation is illustrated in **Diagram 7**. The uprights will have the cross tube notches facing to the inside when orientated properly. Hand tighten all bolts at this time.
7. Using **Diagram 1**, assemble the grille guard ring to the uprights using (4) 1/2" x 1 1/2" bolts, (4) 1/2" flat washers, and (2) 1/2" lock washers. Hand tighten all bolts at this time.
8. Center the grille guard on the vehicle. Tighten all bolts at this time ensuring the grille guard remains centered on vehicle.

420 N. Grove, Richardson, TX 75081
 Tele: (800) 527 - 4345 Fax: (800) 442 - 5263
 Web site: www.goindustries.com
 E-mail: gosupport@goindustries.com

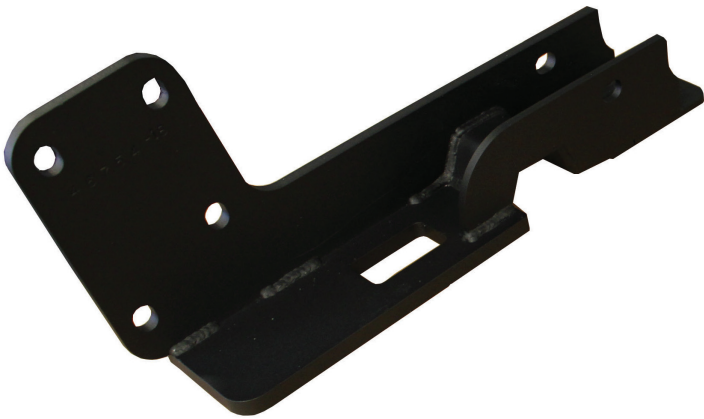
Big Tex Grille Guard

Installation Instructions

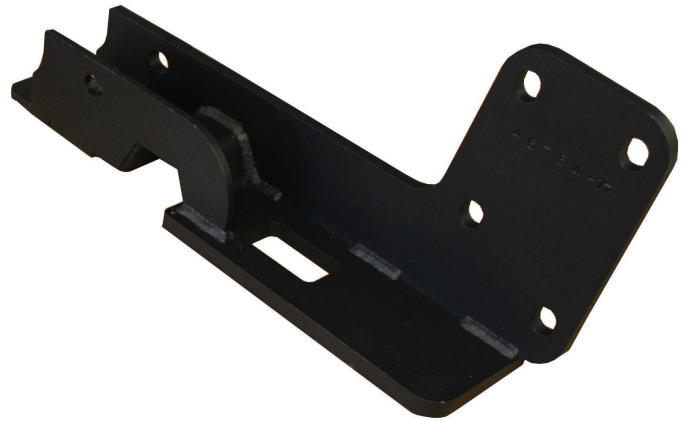
77752 / 77752B

Chevy Silverado 2500HD/3500
 2015 - 2017

Brackets #46754-17 & #46754-18



Bracket #46754-18



Bracket #46754-17

Diagram 2

Washer Plates #46754-9



Diagram 3

Nut Plates #46754-11

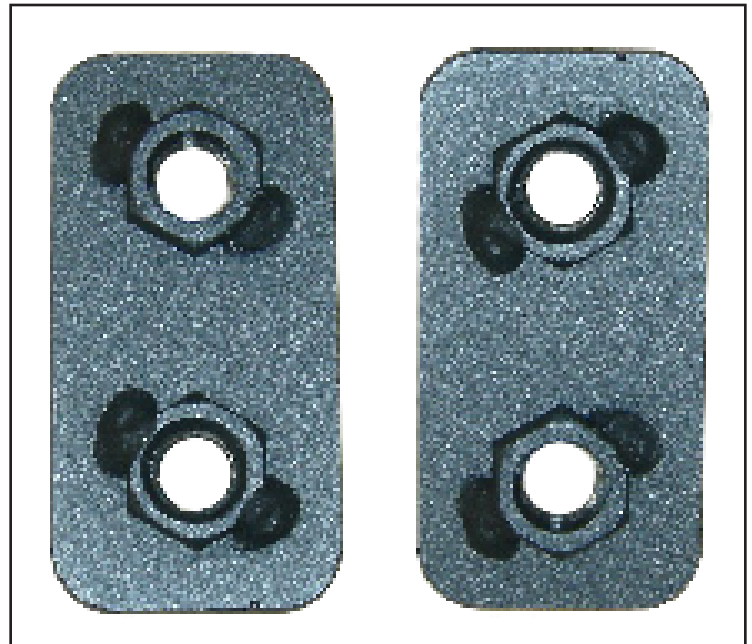


Diagram 4

Big Tex Grille Guard

Installation Instructions

77752 / 77752B

Chevy Silverado 2500HD/3500
 2015 - 2017

Lower Behind Bumper View of Passenger Side Bracket #46754-18 Installed

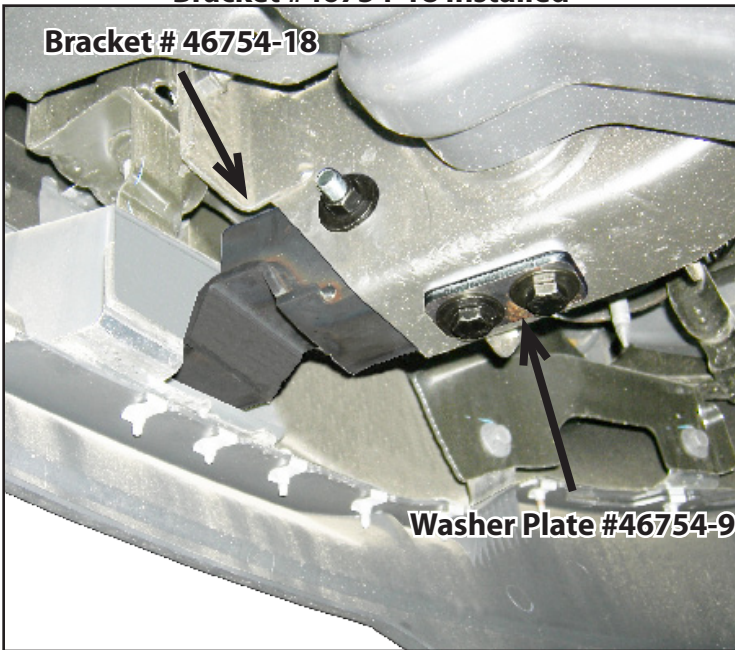


Diagram 5

Front View Of Drivers Side Bracket #46754-17 Installed



Diagram 6

Passenger Side Upright Installed



Diagram 7