

MFFFE**MITSUBISHI**

Front suspension package
Ensemble pour suspension avant
Ensemble para suspensión de delantero

Ref. = Reference = No. de référence = Núm. de referencia
Part = Part #. = No. de pièce = Núm. de pieza
Qty. = Quantity = Quantité = Cantidad

INSTALLATION INSTRUCTIONS

- Partially raise vehicle not allowing the axle to hang freely.
- Loosen axle U-bolts and remove existing bump stop.
- Assemble Aeon rubber spring and bracket as shown in the adjacent diagram.
- Mount Timbren assembly to axle & retighten U-bolts as per OEM specifications.
- Lower vehicle.

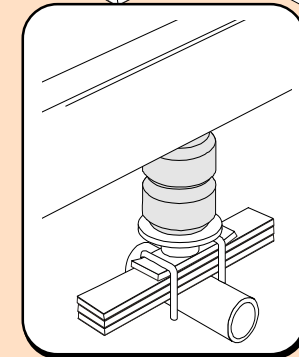
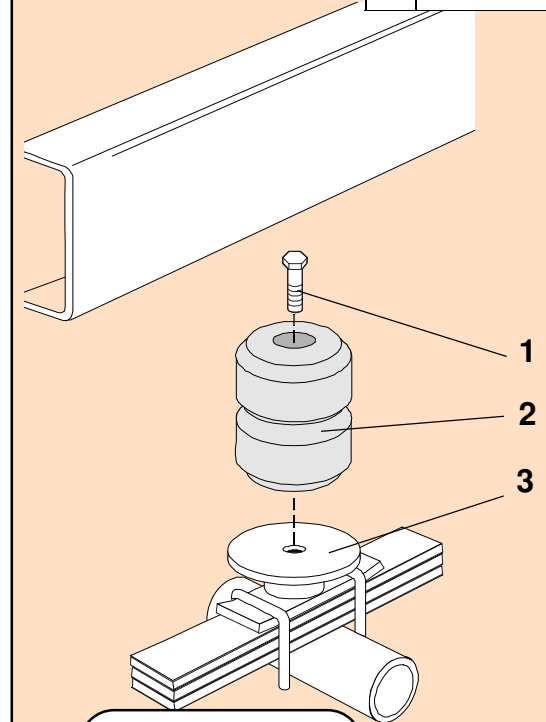
INSTRUCTIONS DE MONTAGE

- Soulevez légèrement le véhicule en ne permettant pas à l'axe de pendre librement.
- Desserrer les boulons en U de l'essieu et retirer la butée de suspension existante.
- Assembler le ressort en caoutchouc Aeon et le support comme il est indiqué dans le schéma adjacent.
- Monter l'assemblage Timbren à l'essieu et resserrer les boulons en U selon les spécifications du fabricant d'origine.
- Redescendre le véhicule.

INSTRUCCIONES DE INSTALACIÓN

- Levante ligeramente el vehículo no permitiendo al eje colgar libremente.
- Suelte los pernos "U" del eje y retire el tope de suspensión existente.
- Ensamble el resorte de caucho Aeon y la abrazadera como se muestra en el diagrama adyacente.
- Monte la unidad Timbren al eje y vuelva a apretar los pernos "U" según las especificaciones del fabricante original del equipo.
- Baje el vehículo.

Ref	Part	Qty
1	F11102-150	2
2	A00540-65E60	2
3	K10436-003	2



Do not exceed vehicle manufacturer's recommended axle weight rating. Check for AEON® interference with vehicle components - Under load AEON® will "expand" in diameter.

Ne pas dépasser le poids nominal sur l'essieu recommandé par le fabricant du véhicule. Vérifier que le ressort AEON® n'a pas d'incidence sur d'autres pièces du véhicule - Le ressort AEON® augmentera son diamètre avec la charge.

No exceda la carga nominal en el eje recomendada por el fabricante del vehículo. Compruebe que no haya interferencia entre el resorte AEON® y los otros componentes del vehículo. Bajo carga, el resorte AEON® se ampliará en diámetro.

MFFFE

MFFFE

TIMBREN INDUSTRIES INC.

www.timbren.com

PART NUMBER	DESCRIPTION	QTY	LOCATION
F11102-150	HCS 1/2 x 1-1/2 UNF GR 5 Z	2	G1D
A00540-65E60	Hollow Rubber Spring	2	C8B
K10436-003	GMFW4C / MFFFE WELDMENT PAINTED	2	D13C
B90200-CF	SMALL FRONT BOX - 9.5 x 7 x 5.5	1	A--E
B10000	8" x 12" BUBBLE FOR KITS	1	
B00029-010	BARCODE LABEL FOR KIT	1	

ASSEMBLY NOTES:

Issued: 9/3/2013

Clearance Instructions:

Rear SES Kits for Pick-Ups and Vans should have a 1/2" to 1-1/2" gap between the rubber spring and contact point when empty.

A partial load, or vehicle accessories will reduce or eliminate the gap.

Front SES kits are usually in full contact.

Medium and Heavy-Duty Trucks, Trailers and Motorhomes will be in constant contact, and have no gap.

Lifetime Warranty:

Timbren SES Kits are warranted against defects in material and workmanship, under normal use and service, for the life of the vehicle on which the kit was originally installed. The warranty is not transferable and proof of purchase is required. The warranty is limited to the replacement of the failed part.

TIMBREN will not be responsible for any labour or freight charges involved in the replacement of any product. TIMBREN shall be entitled to make its own inspection to determine the validity of the claim. TIMBREN shall not be liable nor warranty the product in the event of alteration, misuse, overload, negligence or damage caused by others.

If ride or performance of our product is unsatisfactory in any way, please call: 1-800-263-3113 or email sales@timbren.com