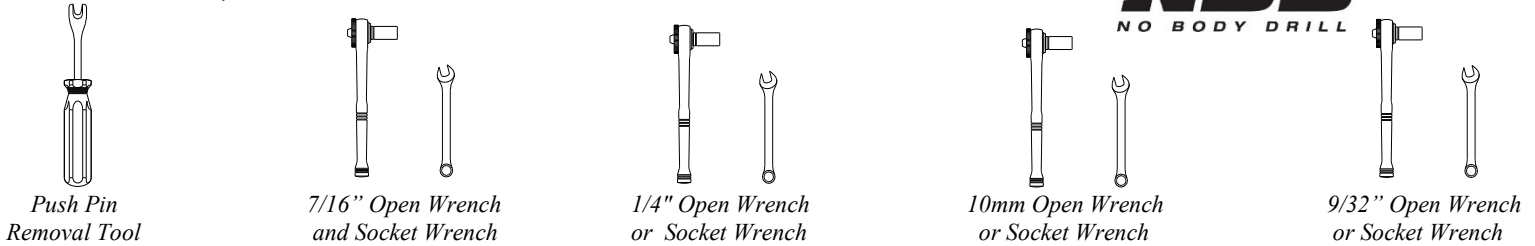


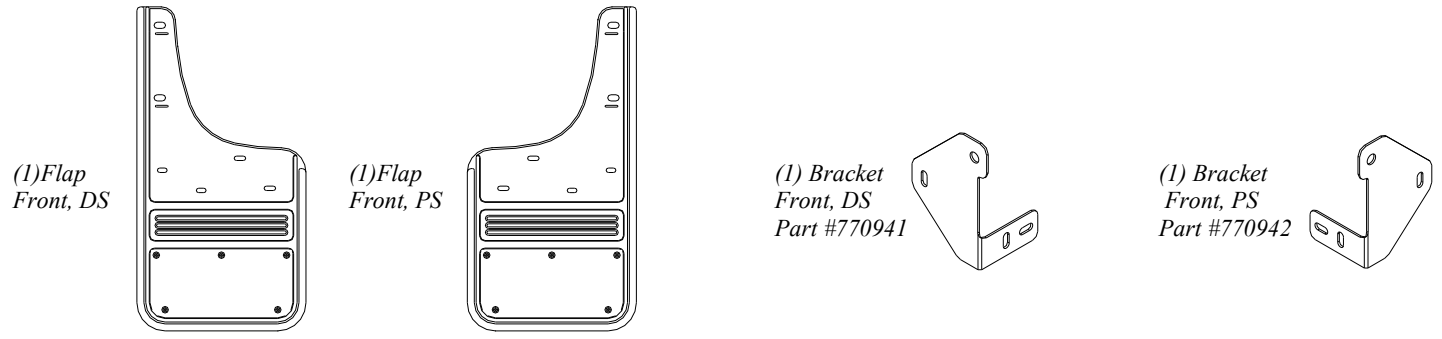
IMPORTANT:

Manufacturer is not responsible for negligent use of vehicle with mud flaps installed, including over-tightening of screws and bolts causing damage to vehicle or mud flaps.

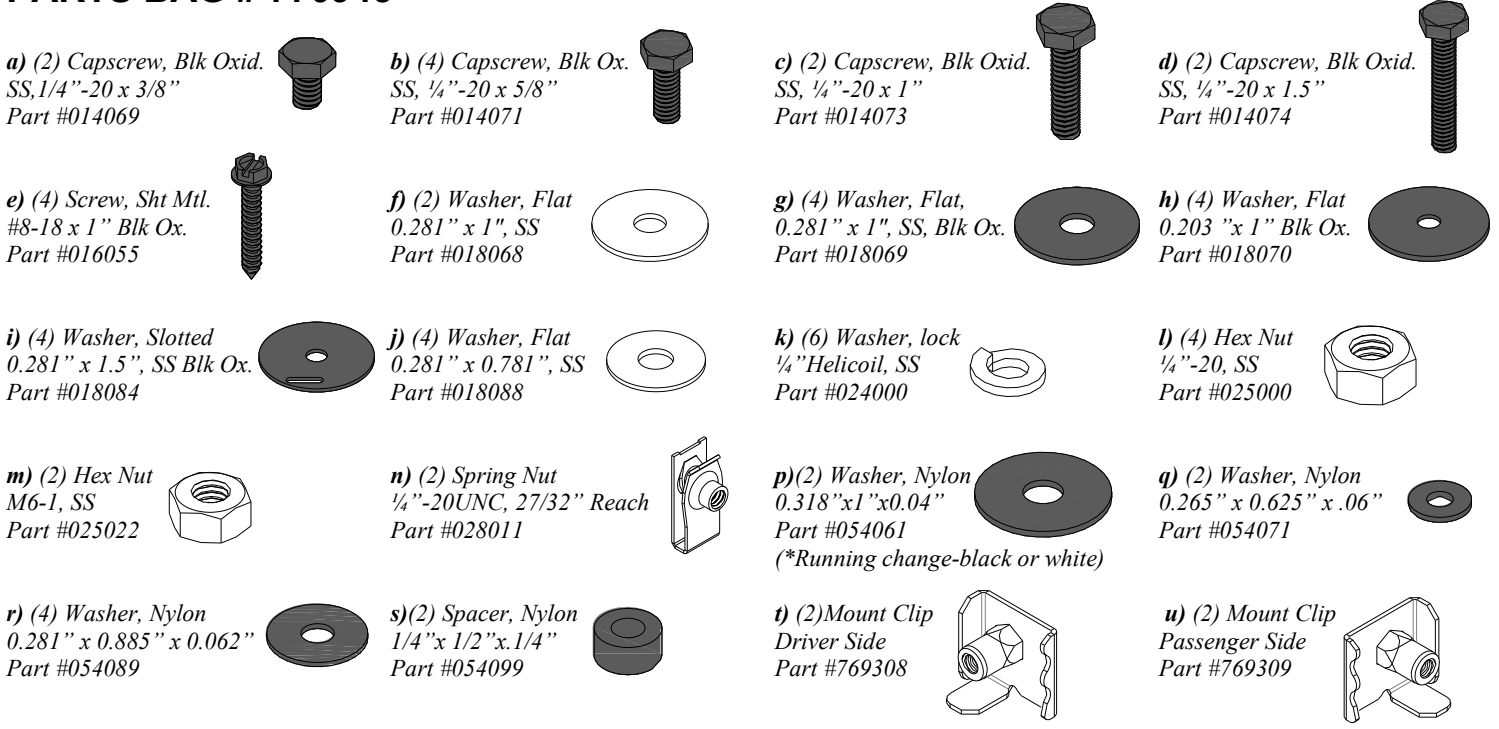
TOOLS REQUIRED-



FLAPS AND BRACKETS

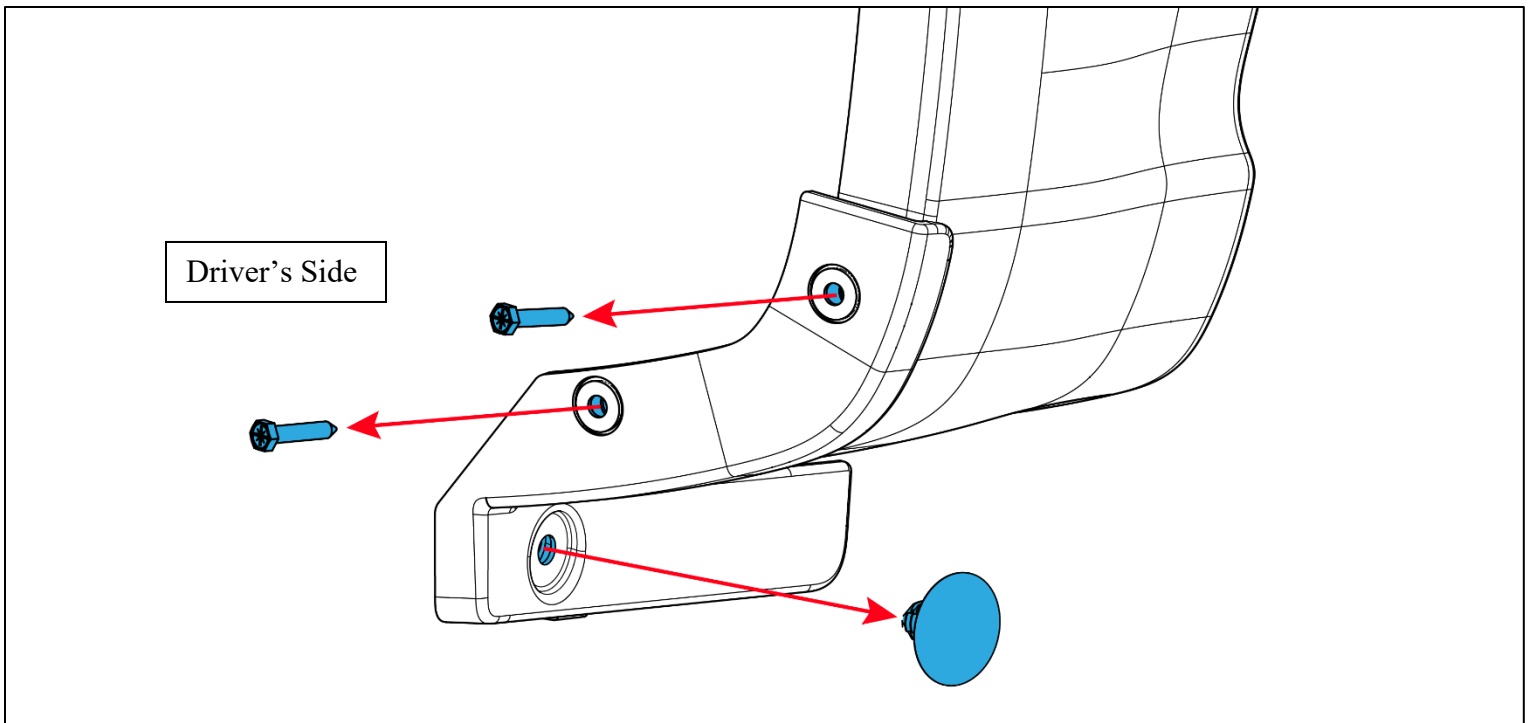


PARTS BAG # 770945

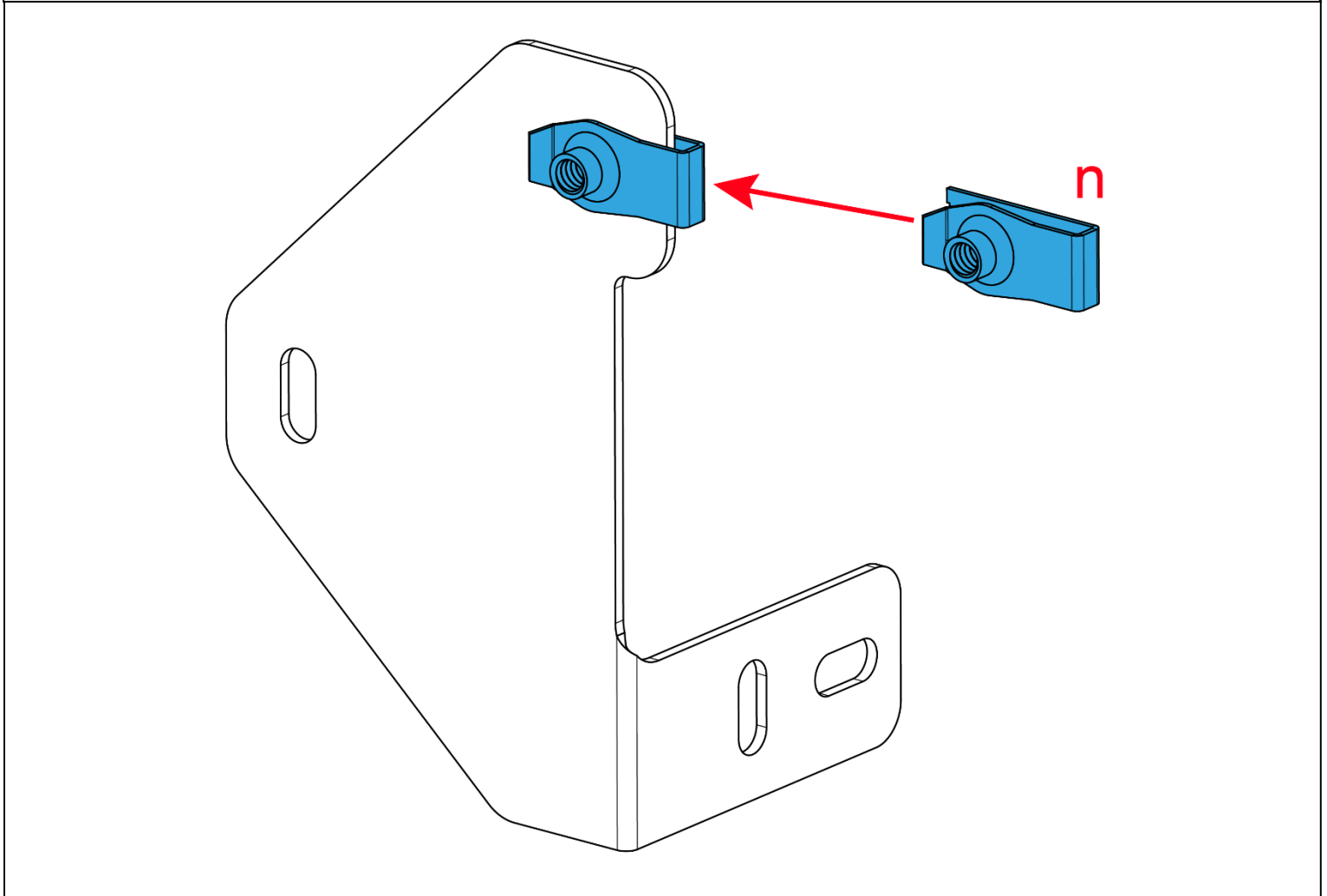


INSTALLATION *(For ease of installation it is suggested that the wheel be removed)*

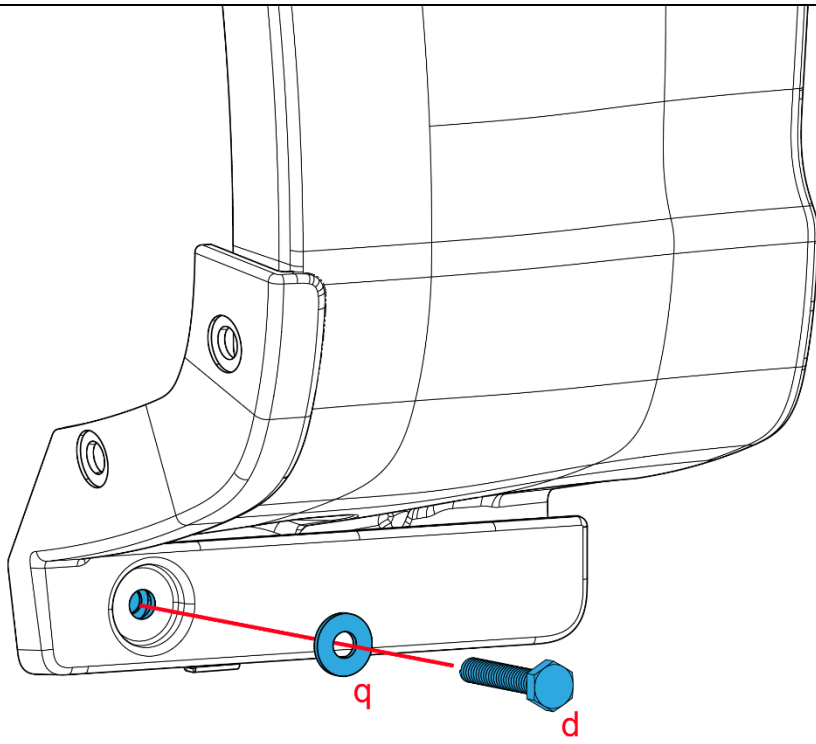
Note: Before you install your Mud Flap Set, see the diagram and parts list for all necessary parts.



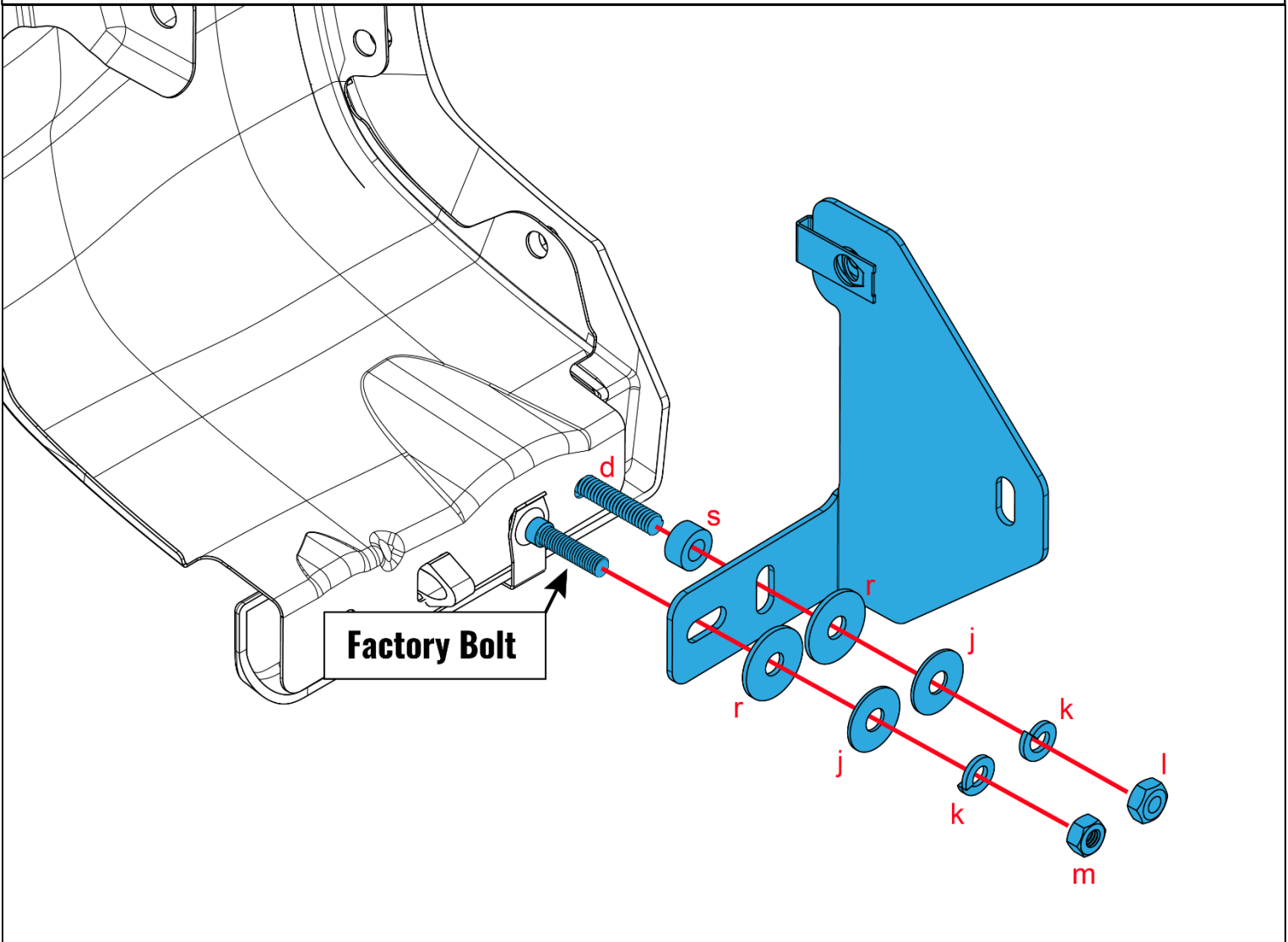
1-1 Remove factory hardware as shown.



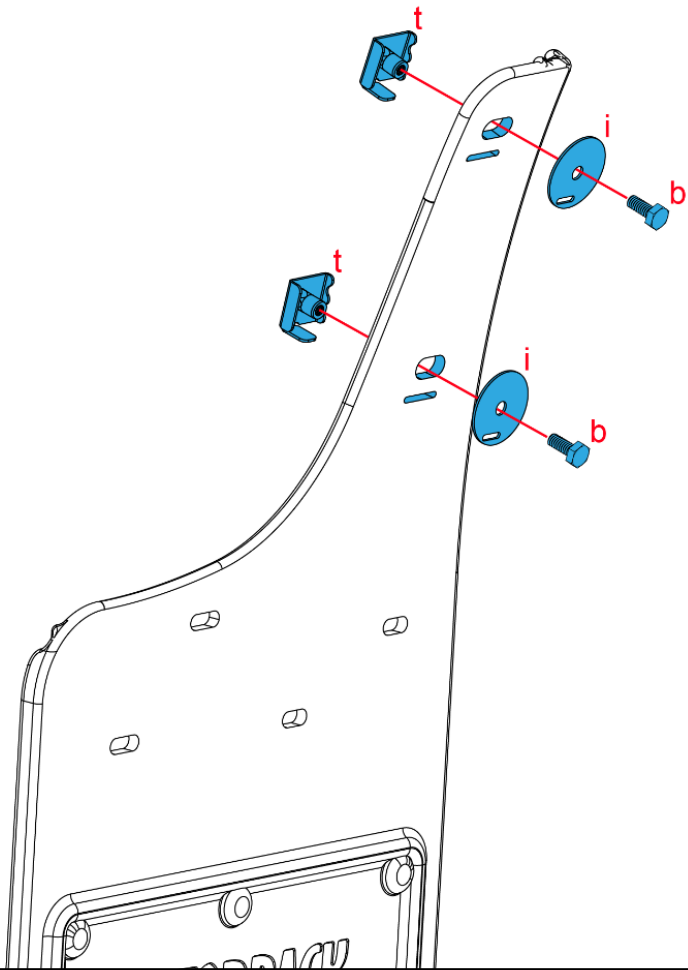
2-1 Install spring nut on bracket as shown.



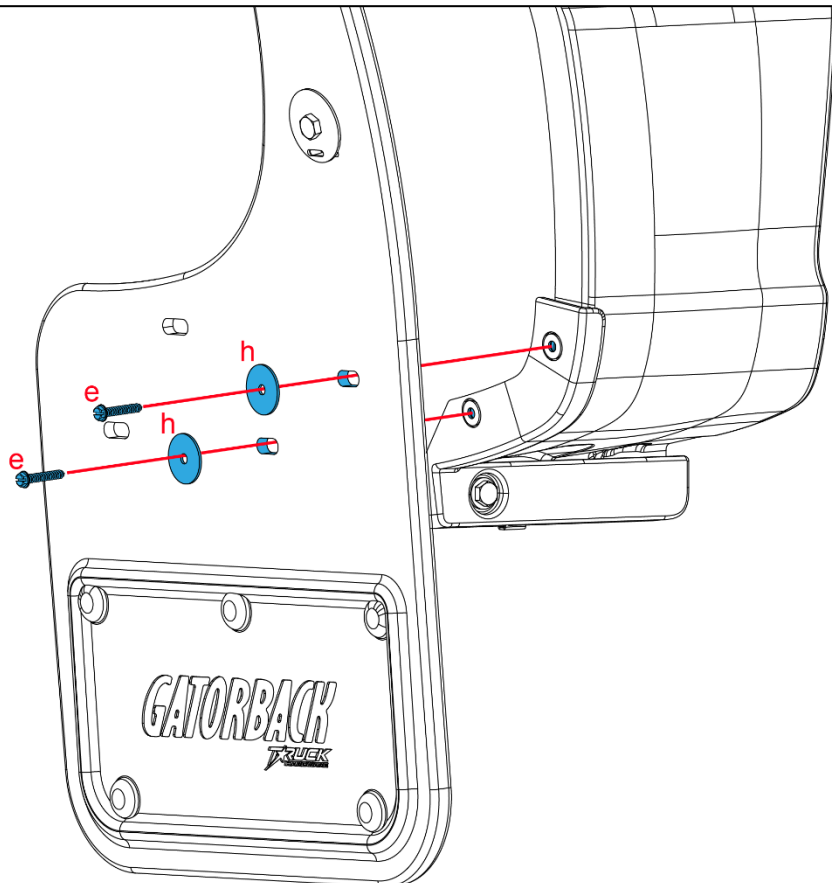
3-1 Install hardware on bracket as shown.



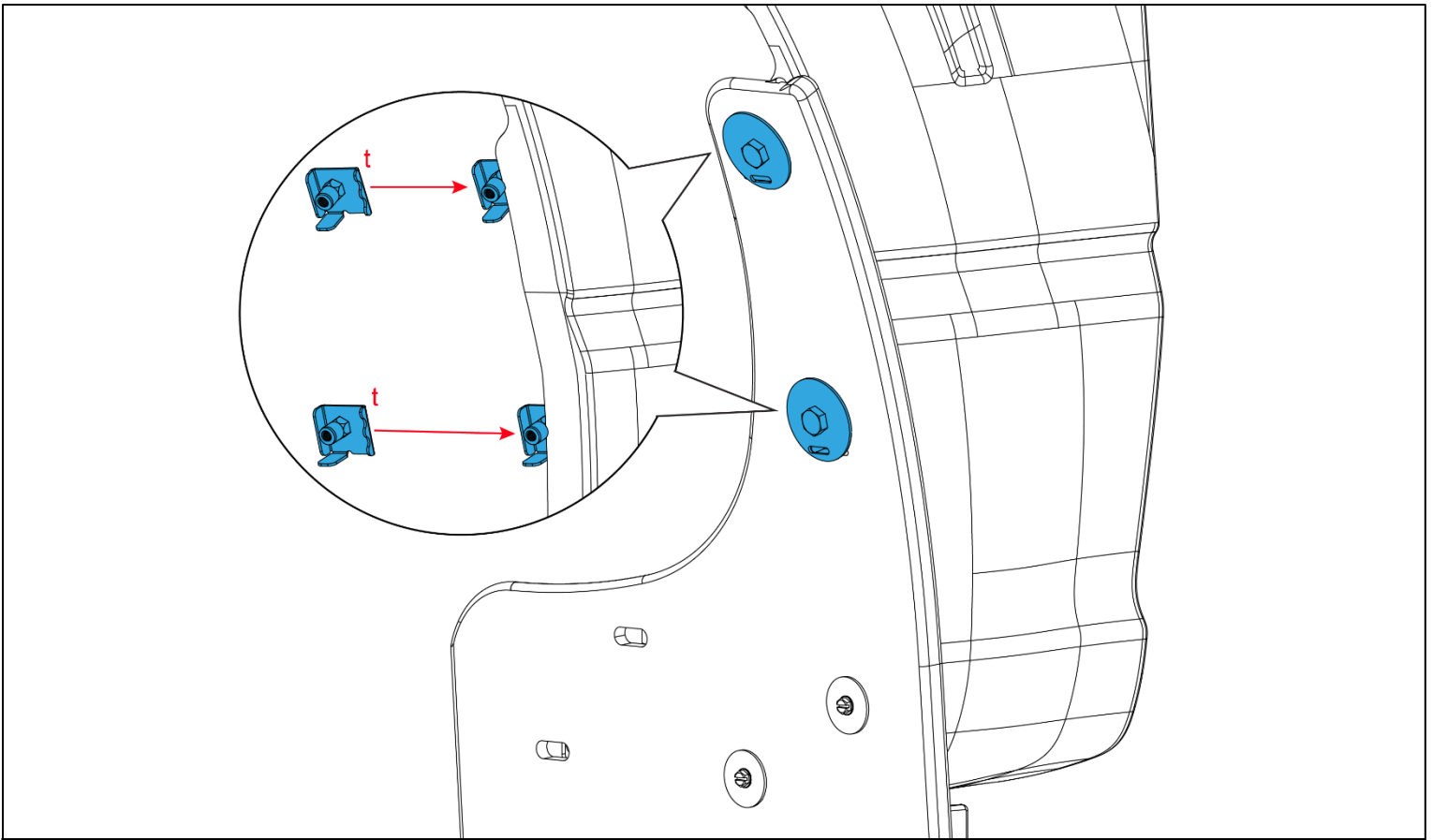
3-2 Secure bracket as shown.



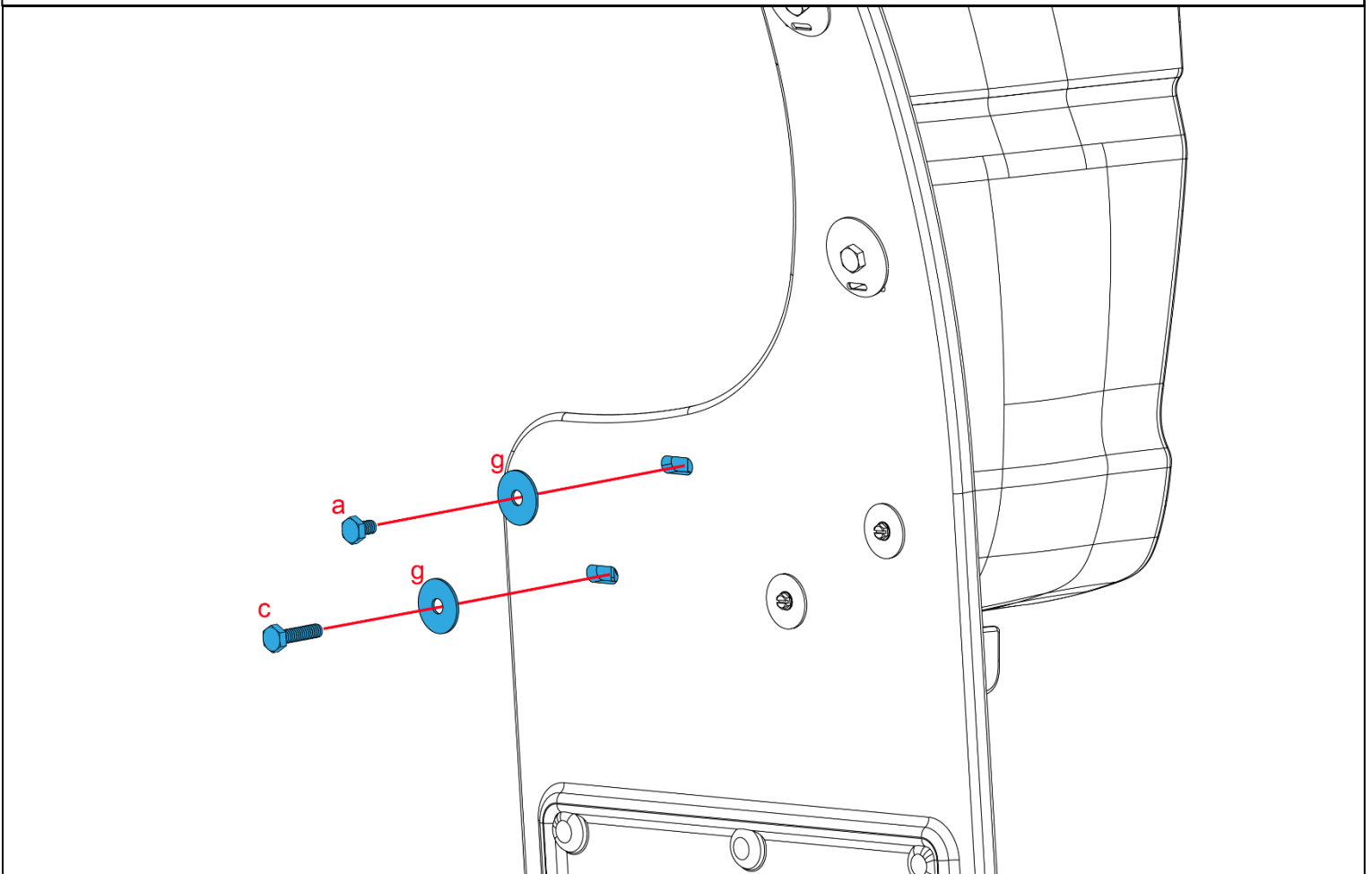
4-1 Loosely install mount clips to rubber as shown.



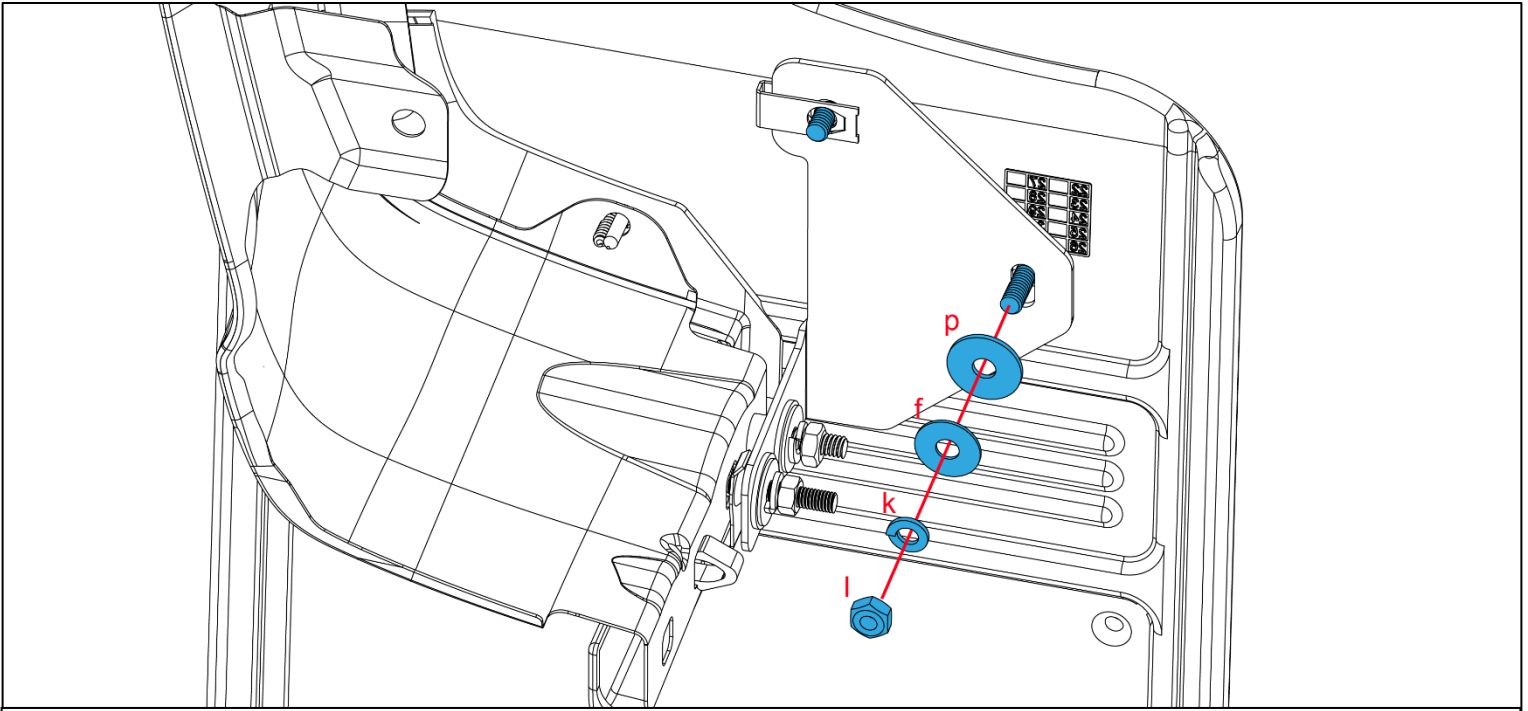
5-1 Loosely install hardware as shown.



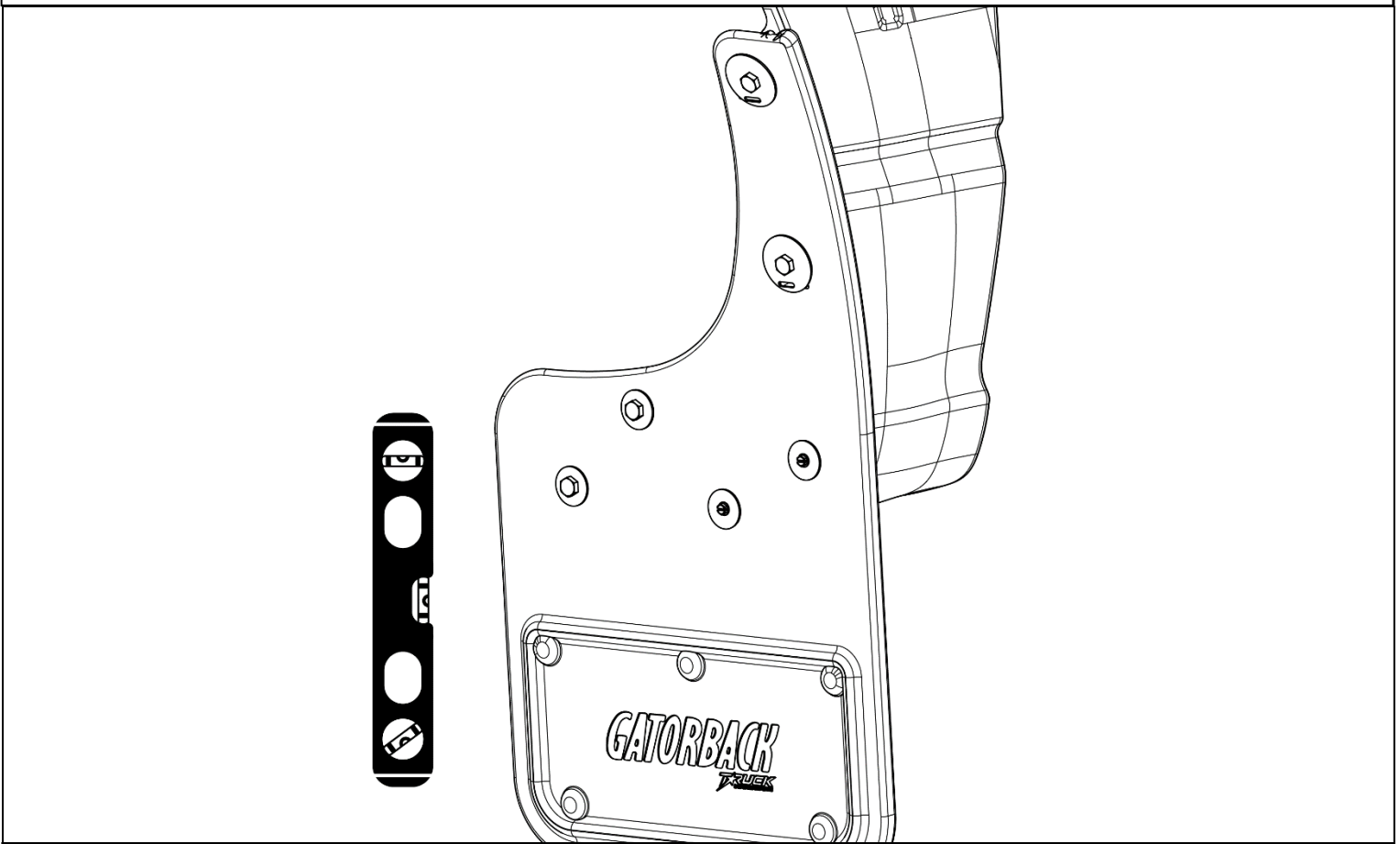
6-1 Slide mount clips behind fender lip as shown.



7-1 Loosely install hardware as shown.



7-2 Secure hardware installed in step 7-1 as shown.



8-1 Use a level and visually determine your mud flap is straight. Gently tighten all fasteners.

Please check out our YouTube channel to see an install video for this application.



1520 - 33 St N • Lethbridge, AB T1H 5H3 • Canada
Toll free: 1-800-661-8208 • Email: info@truckhardware.ca • www.truckhardware.ca





21-C Ford F-150
Mud Flap Set, Rear
Mounting Diagram & Instructions
GCR408R

IMPORTANT:

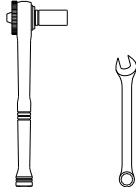
Manufacturer is not responsible for negligent use of vehicle with mud flaps installed, including over-tightening of screws and bolts causing damage to vehicle or mud flaps.



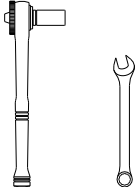
TOOLS REQUIRED-



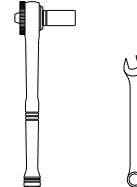
*Push Pin
Removal Tool*



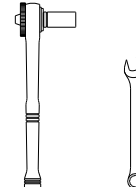
*7/16" Open Wrench
and Socket Wrench*



*3/8" Open Wrench
or Socket Wrench*



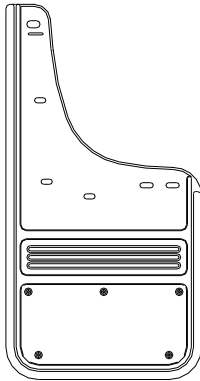
*5/16" Open Wrench
or Socket Wrench*



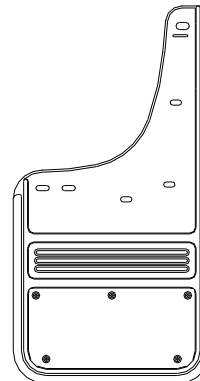
*1/4" Open Wrench
or Socket Wrench*

FLAPS AND BRACKETS

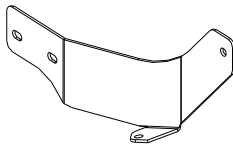
*(1) Mud Flap
Rear, Driver Side*



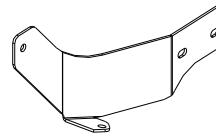
*(1) Mud Flap
Rear, Passenger Side*



*(1) Bracket, Large
Rear, Driver Side
Part#769805*



*(1) Bracket, Large
Rear, Passenger Side
Part#769806*



*(1) Bracket, Small
Rear, Driver Side
Part # 770946*

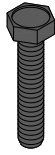


*(1) Bracket, Small
Rear, Passenger Side
Part #770947*



PARTS BAG # 770950

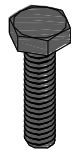
a) (6) Machine Screw
#10 x 1", Black. Oxidized
Part #012050



b) (2) Capscrew, Black Oxidized
1/4"-20UNC x 3/8"
Part #014069



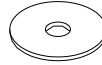
c) (6) Capscrew, Black Oxidized
1/4"-20UNC x 1"
Part #014073



d) (2) Screw, Sheet Metal
#8-18 x 1.25" Black Oxidized
Part #016061



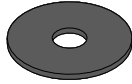
e) (6) Washer, Flat
0.203" x 0.781", Stainless
Part #018018



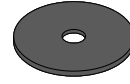
f) (2) Washer, Flat
5/16" x 1" x 1/4" HDPE
Part #018036



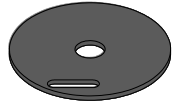
g) (6) Washer, Flat,
0.281" x 1", SS, Black Oxidized
Part #018069



h) (8) Washer, Flat
0.203" x 1" Black Oxidized
Part #018070



i) (4) Washer, Slotted
0.281" x 1.5" Black Oxidized
Part #018084



j) (2) Washer, lock
1/4" Helicoil, Stainless
Part #024000



k) (6) Washer, Lock
18-8SS, #10, Stainless
Part #024001



l) (2) Hex Nut
1/4"-20, Stainless
Part #025000



m) (6) Hex Nut
#10-24, Stainless
Part #025003



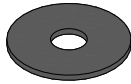
n) (2) Spring Nut
#8, 9/16" Reach
Part #028004



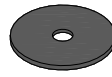
o) (4) Spring Nut
1/4"-20UNC, 0.84" Reach
Part #028010



p) (4) Washer, Nylon
0.318" x 1" x 0.04"
Part #054061



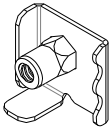
q) (6) Washer, Nylon
0.203" x 0.885" x .062"
Part #054080



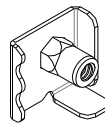
r) (2) Washer, Nylon
0.281" x 1" x 0.11"
Part #054084



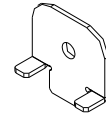
s) (1) Mount Clip
Driver Side
Part #769308



t) (1) Mount Clip
Passenger Side
Part #769309

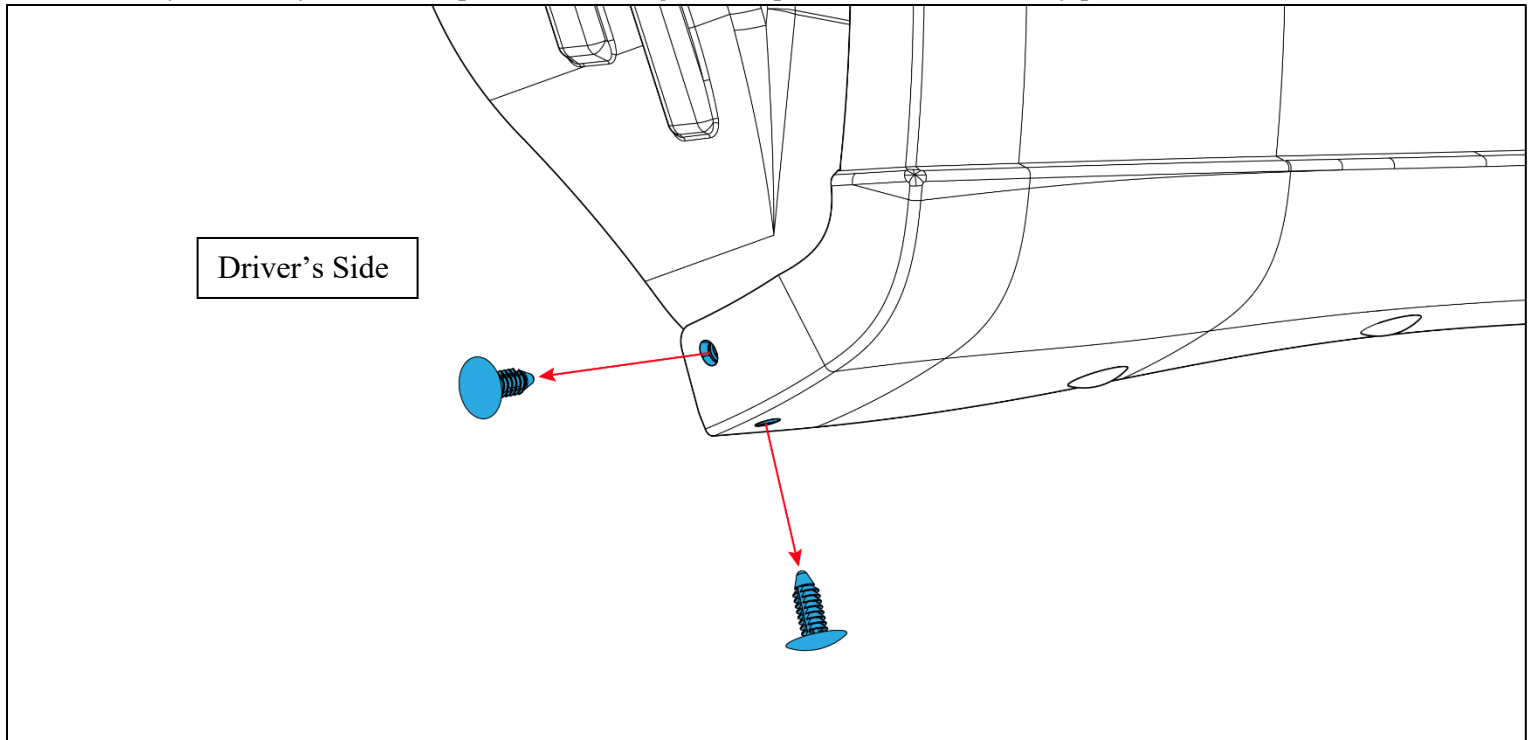


u) (2) Wedge Plate
Universal
Part #770747

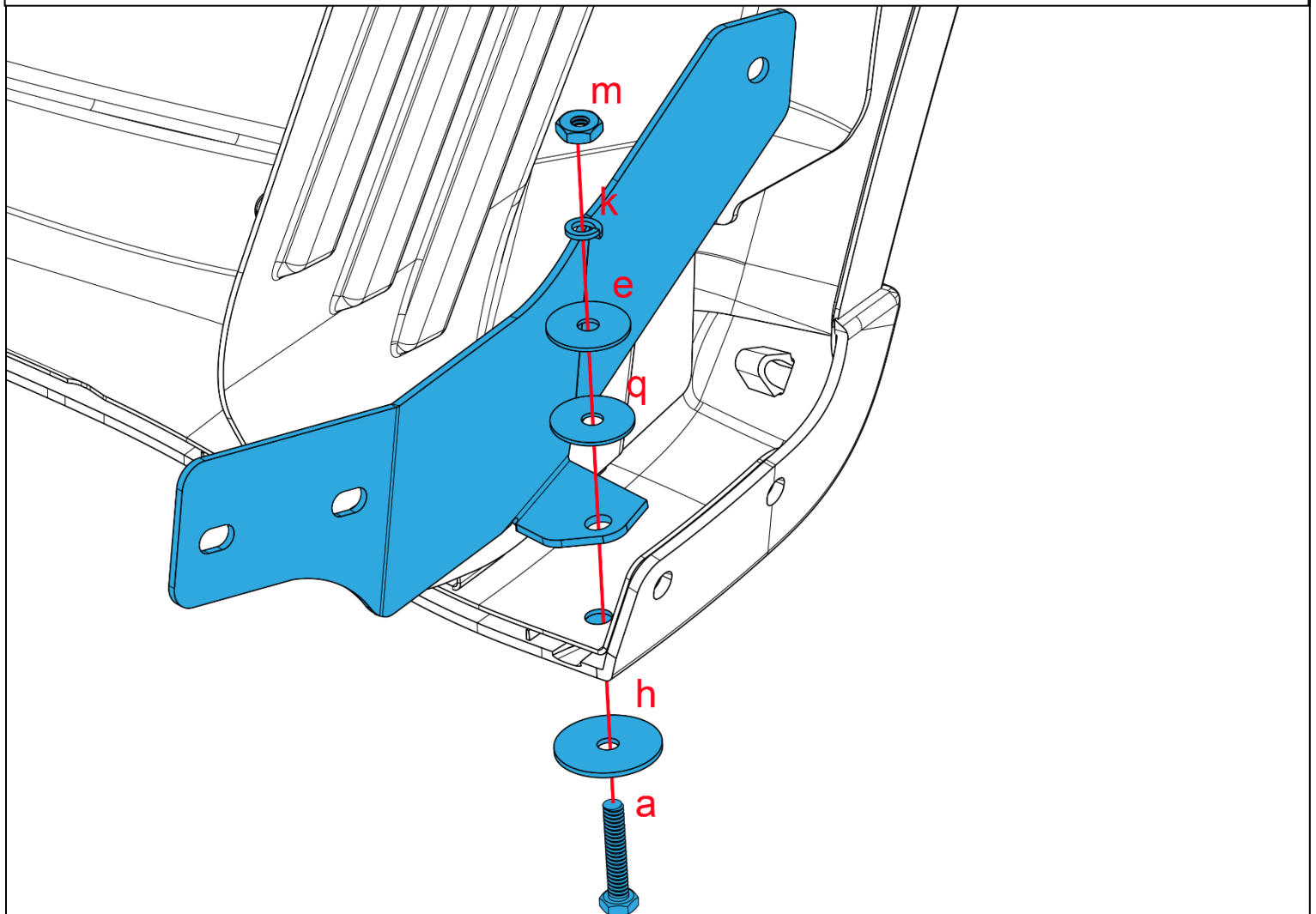


INSTALLATION *(For ease of installation it is suggested that the wheel be removed)*

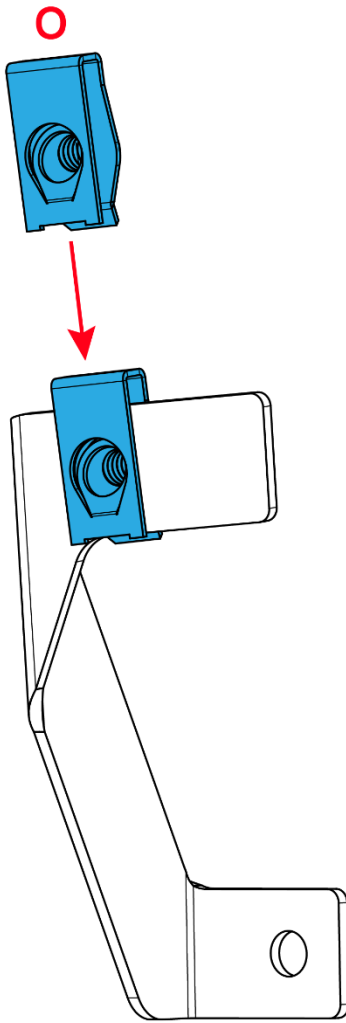
Note: Before you install your Mud Flap Set, see the diagram and parts list for all necessary parts.



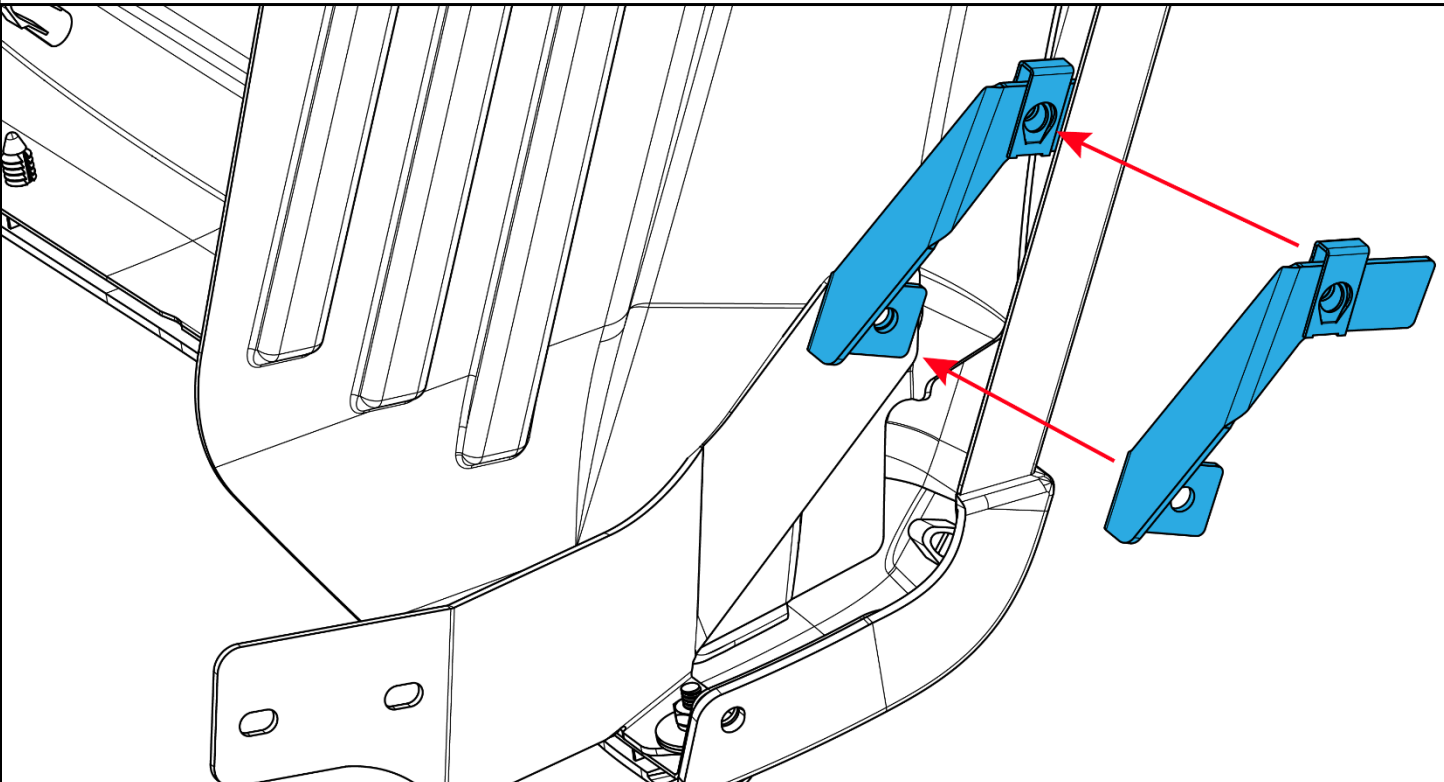
1-1 Remove factory hardware as shown.



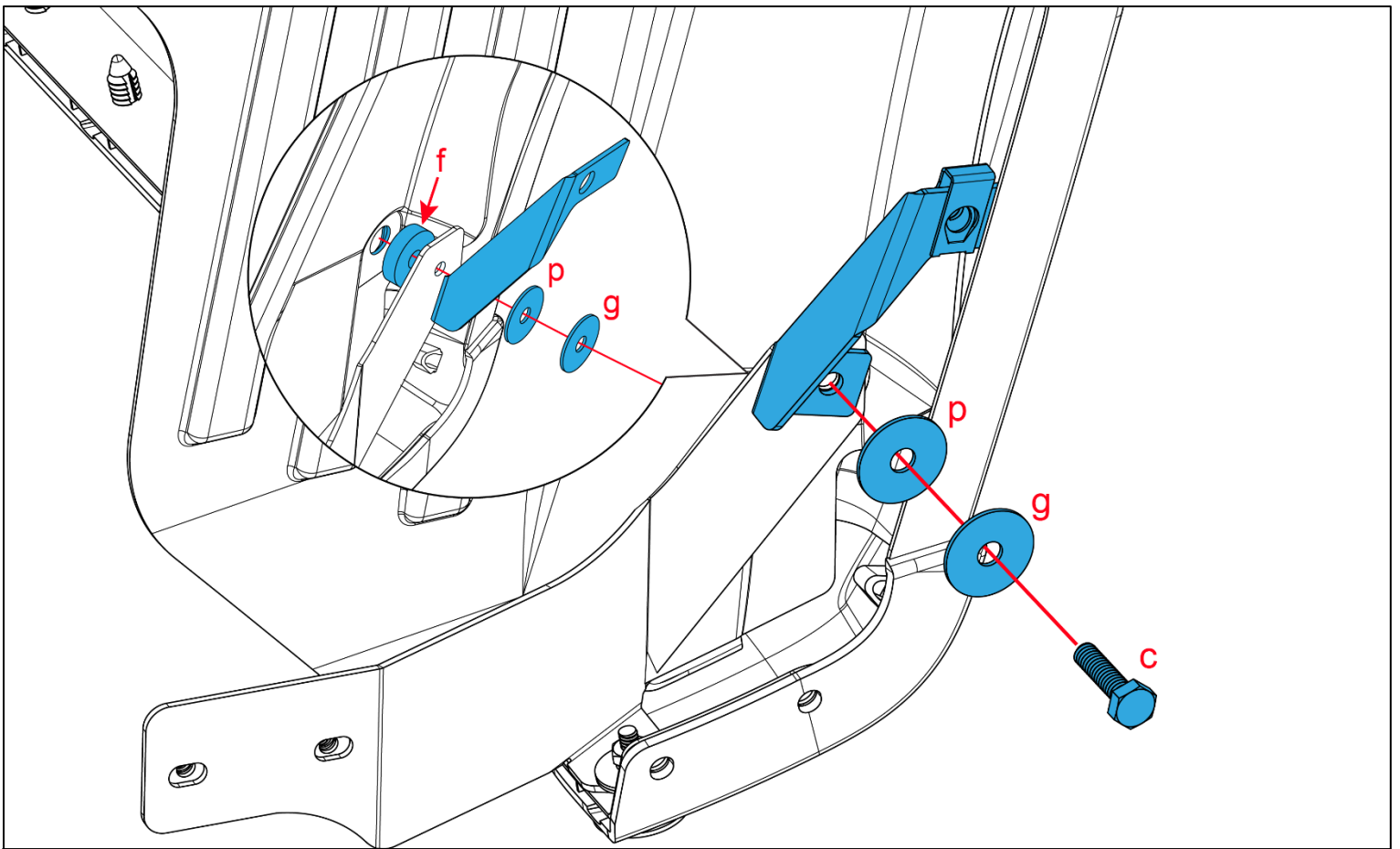
2-1 Loosely install bracket and hardware as shown.



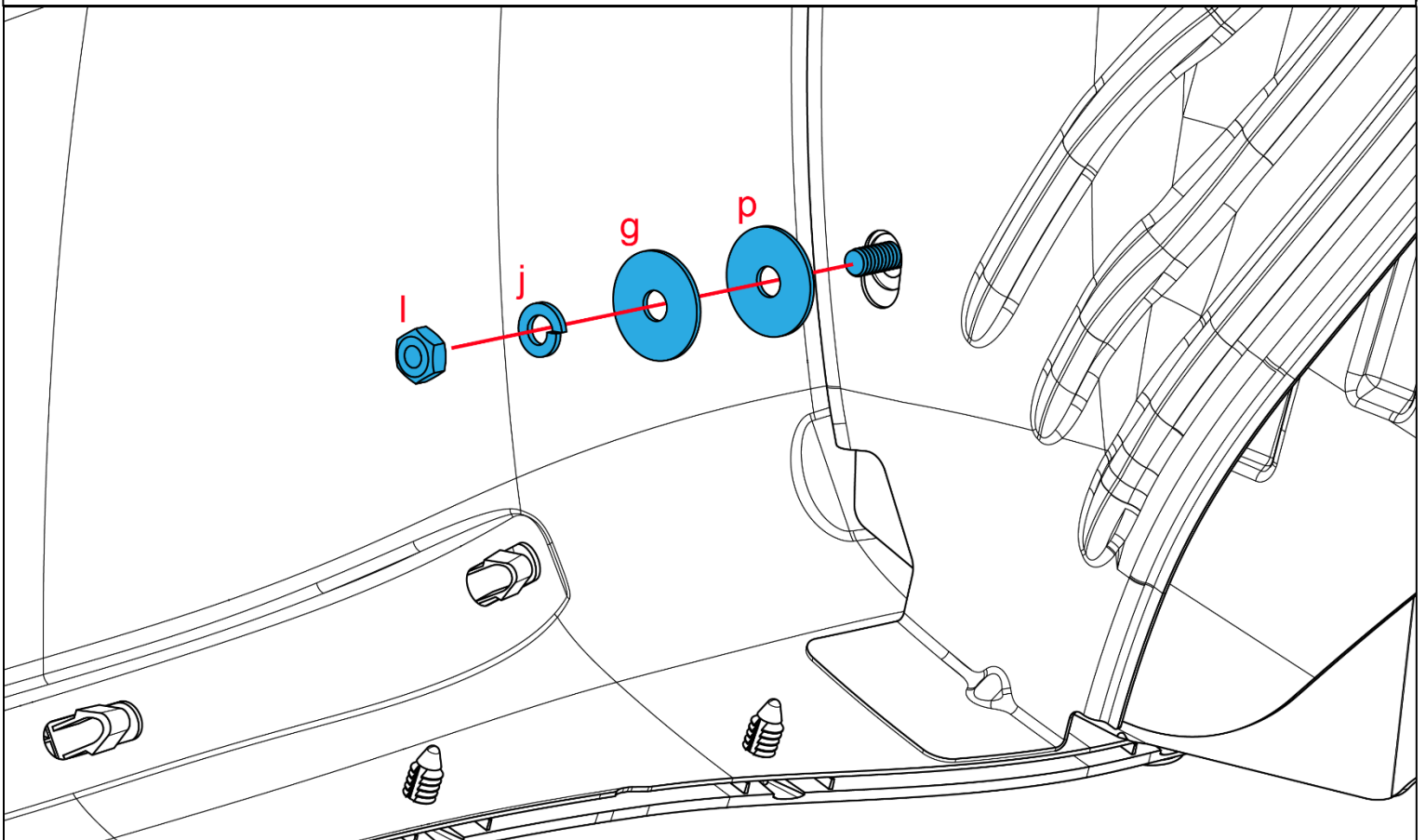
3-1 Install spring nut on bracket as shown.



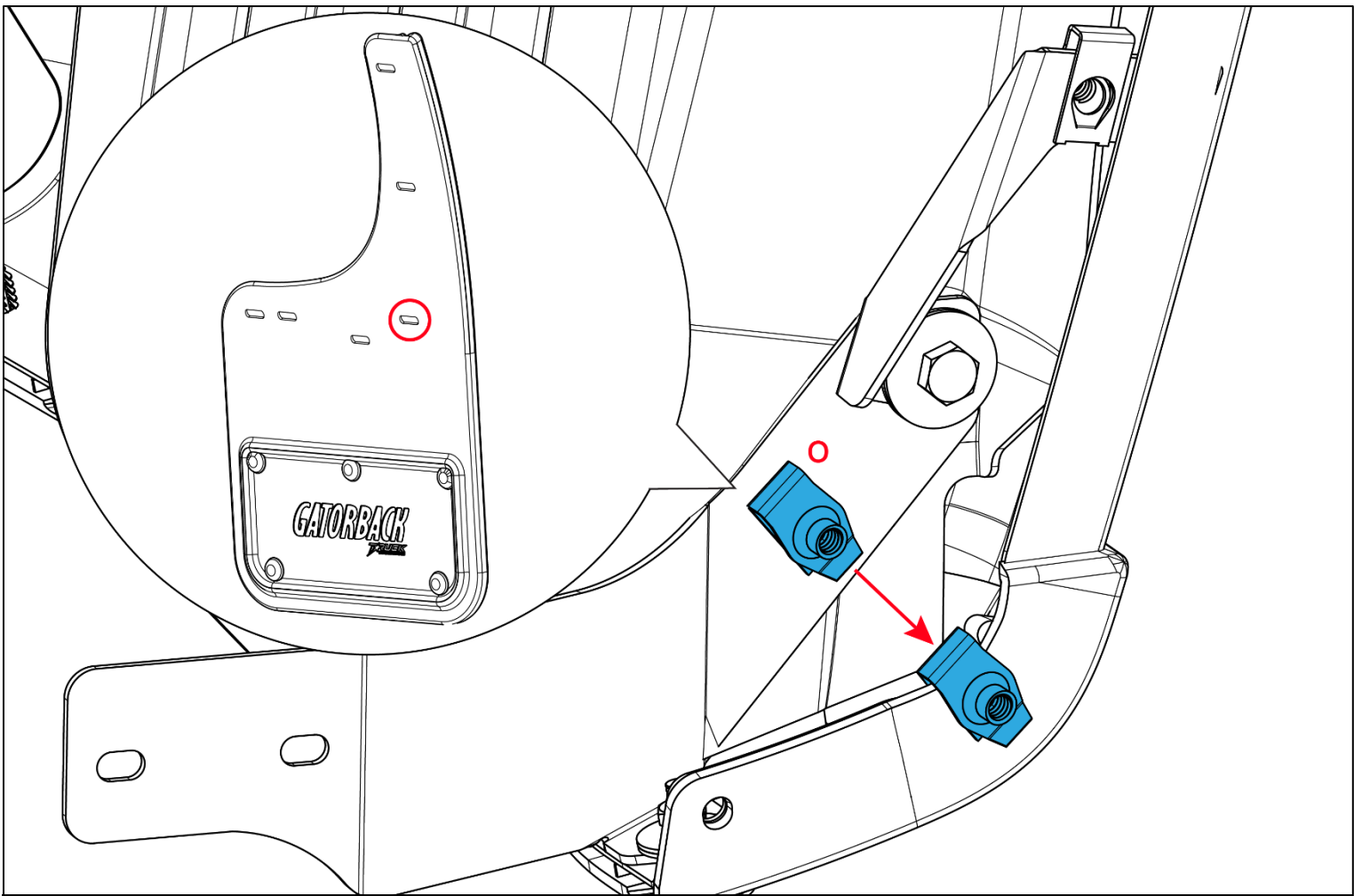
4-1 Ensure the small bracket is aligned so the edge of the top of the bracket is resting snugly against the sheet metal behind the wheel lip. Begin installing the small bracket to large bracket as shown in step 4-2.



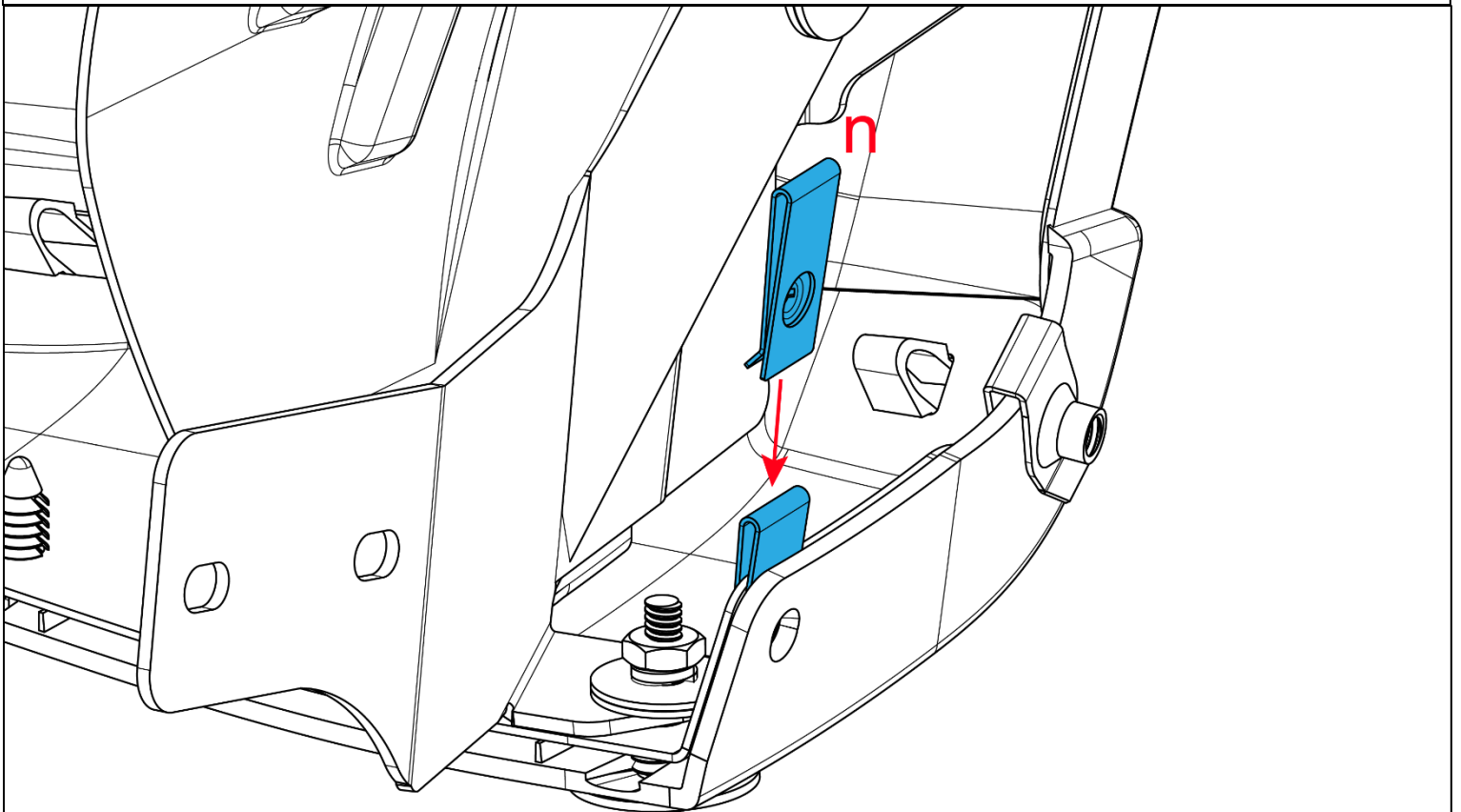
4-2 Install small bracket to large bracket as shown. Be sure to insert spacer (f) as shown before securing the bracket as shown in step 4-3.



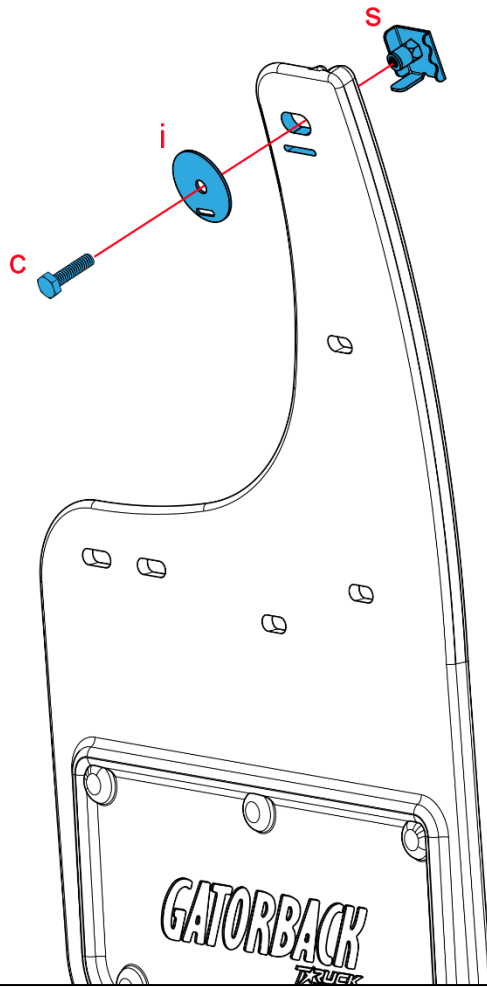
4-3 Secure hardware installed in step 4-2 as shown.



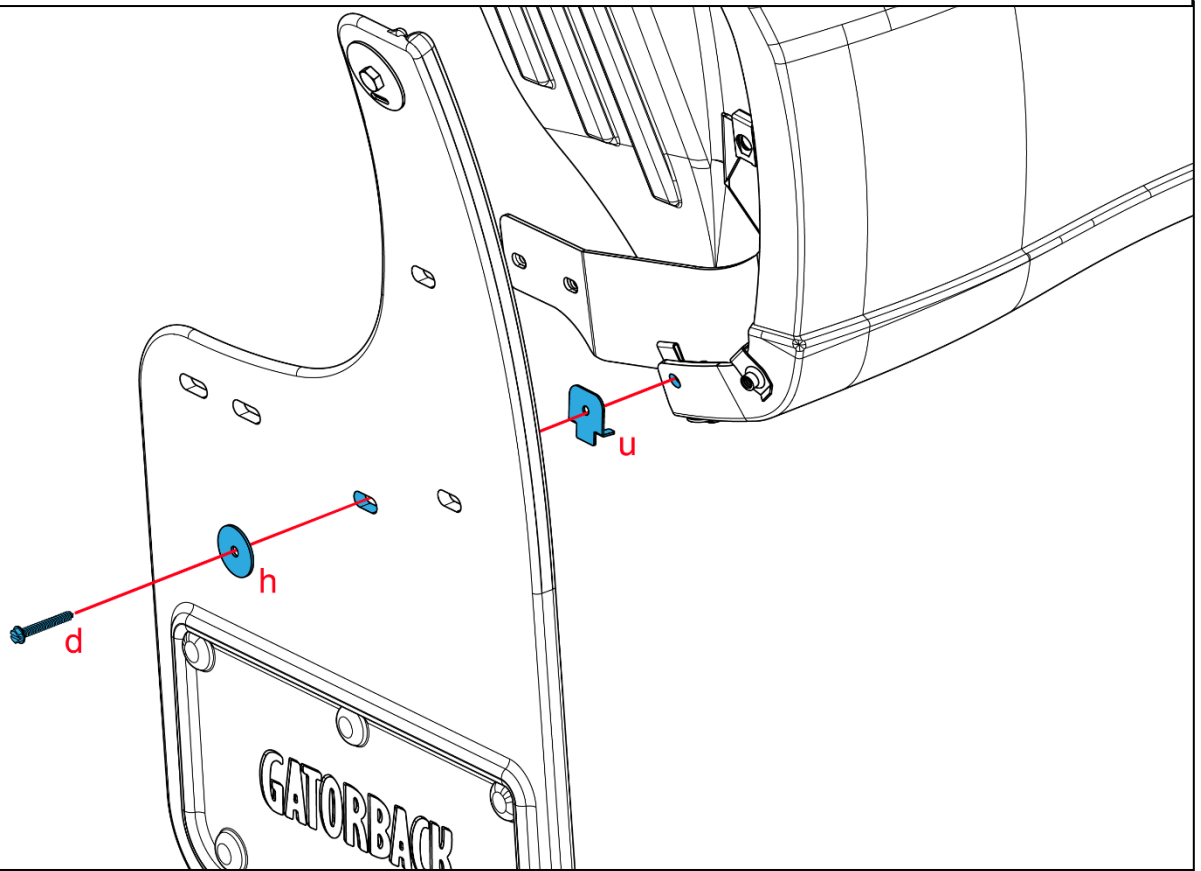
5-1 Install spring nut over plastic guard, aligning it with the hole shown in the diagram.



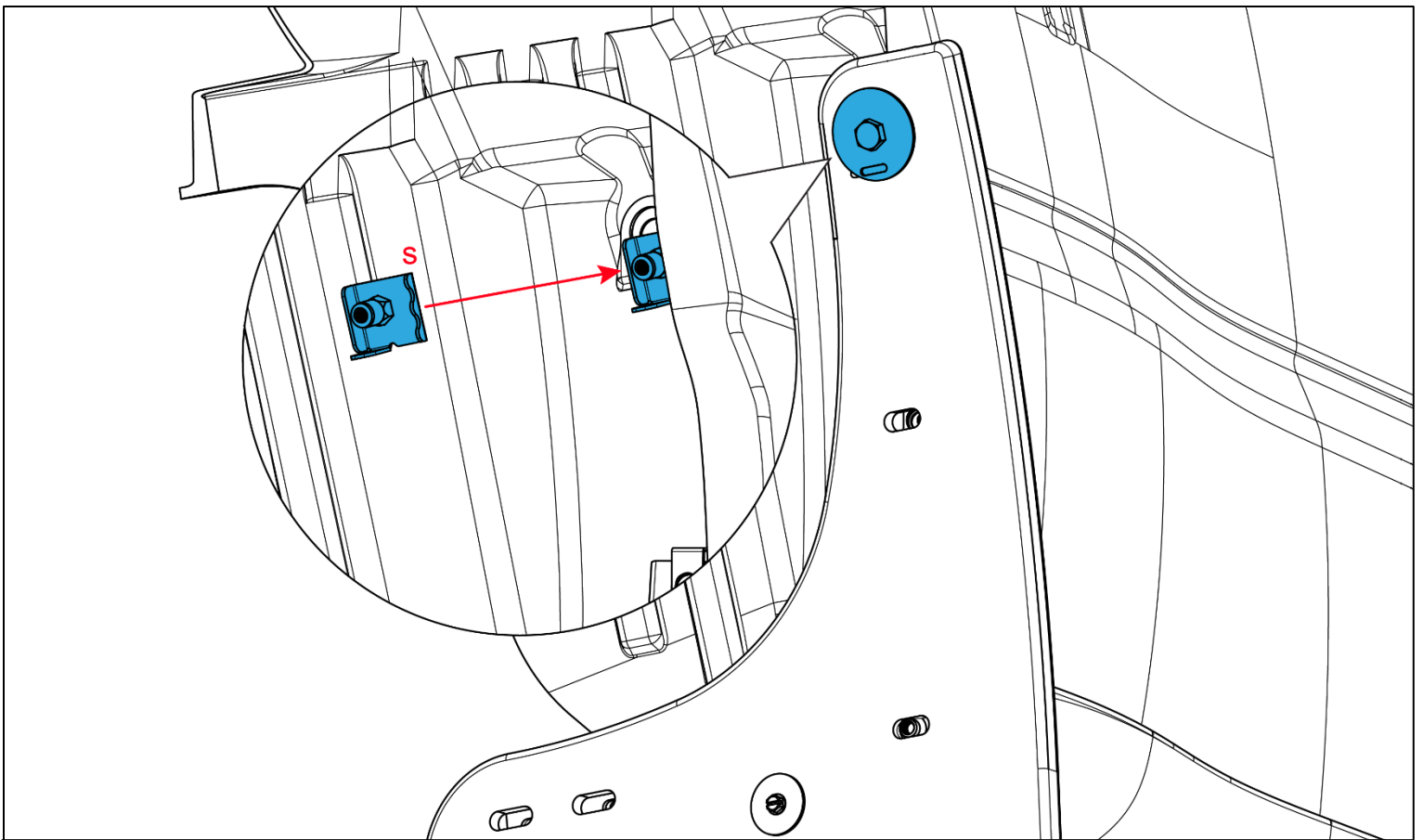
6-1 Install spring nut over factory hole on the sheet metal as shown.



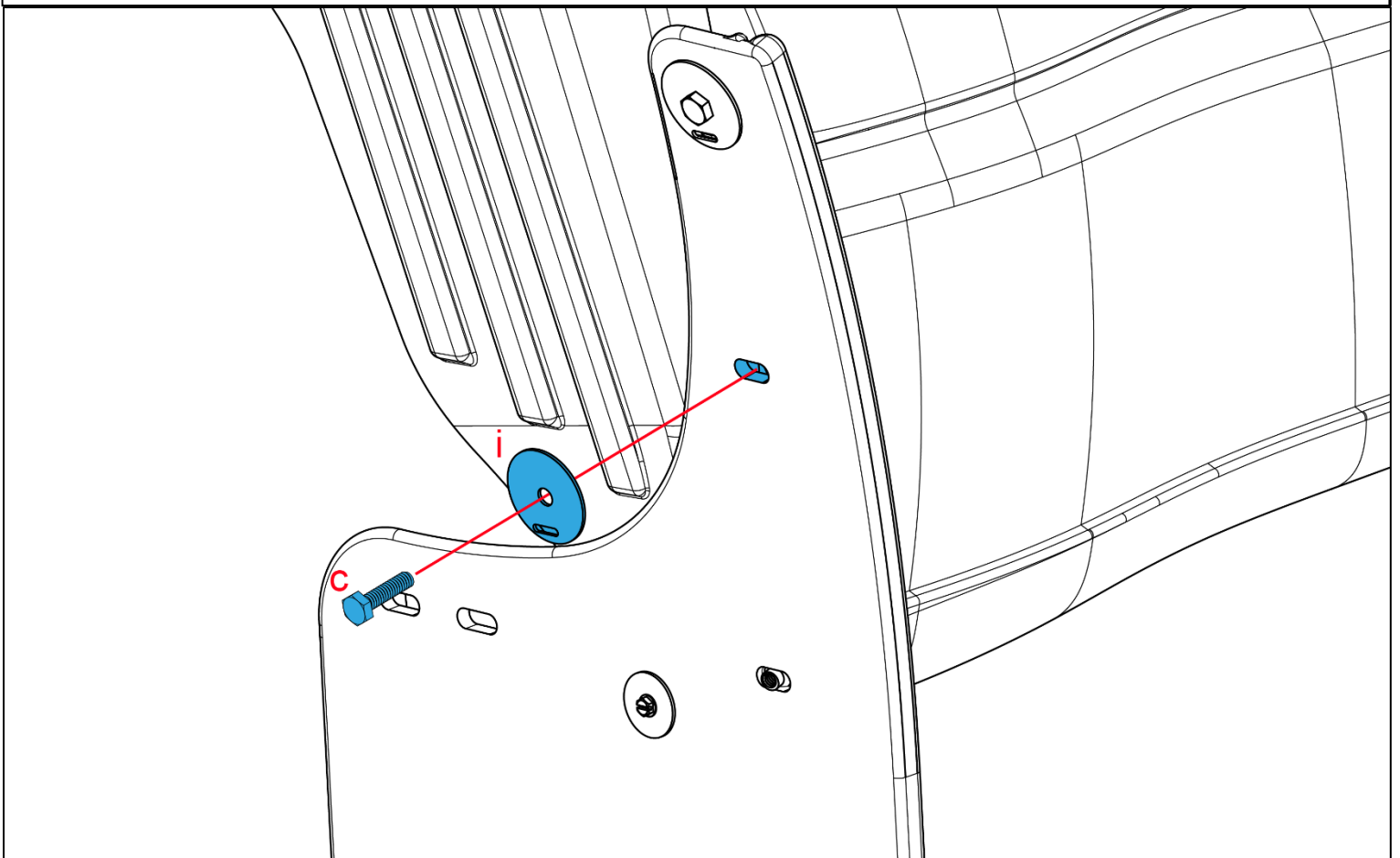
7-1 Loosely install mount clip on rubber as shown.



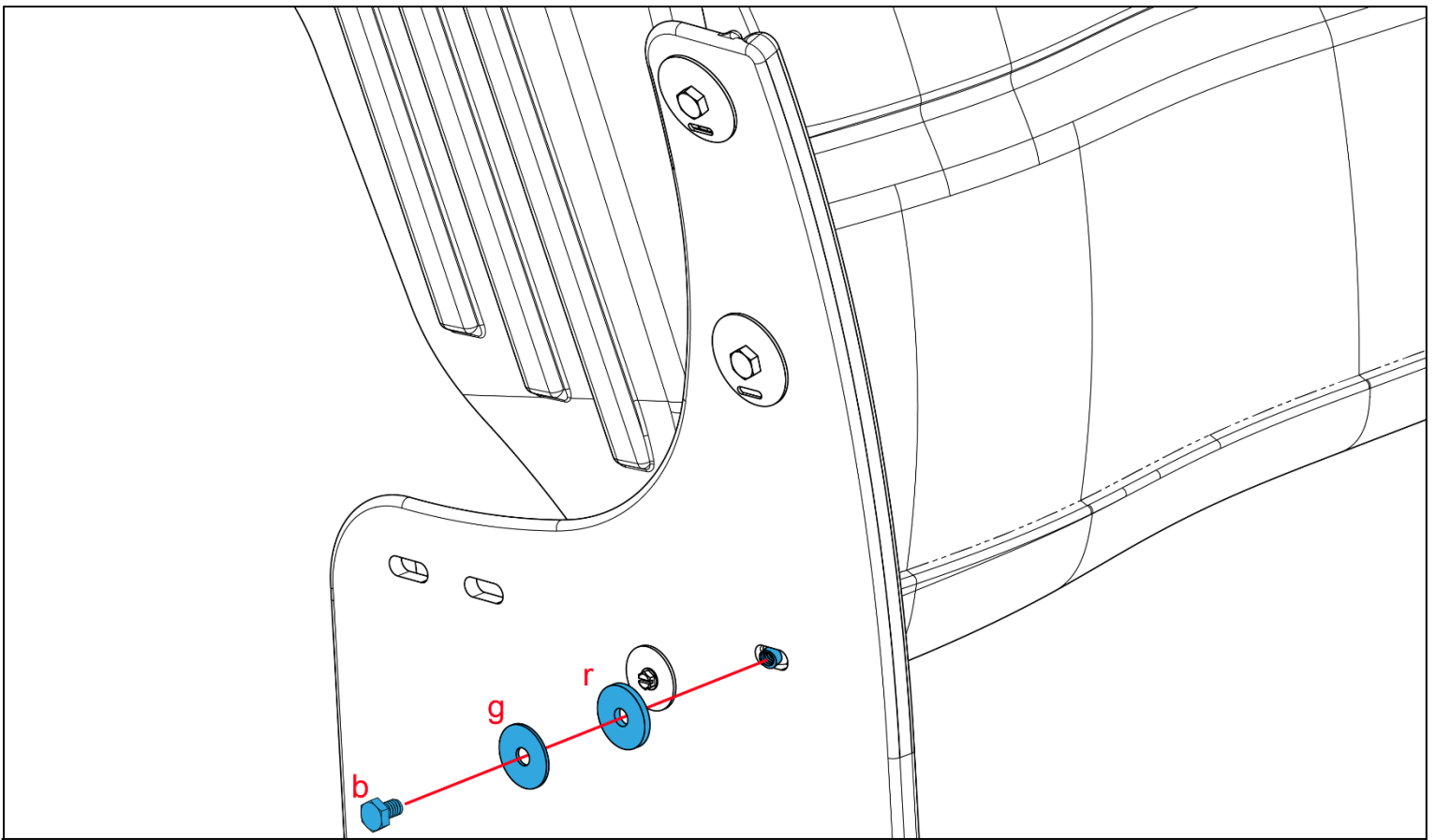
8-1 Loosely install hardware as shown. Ensure wedge plate is between rubber and fender lip.



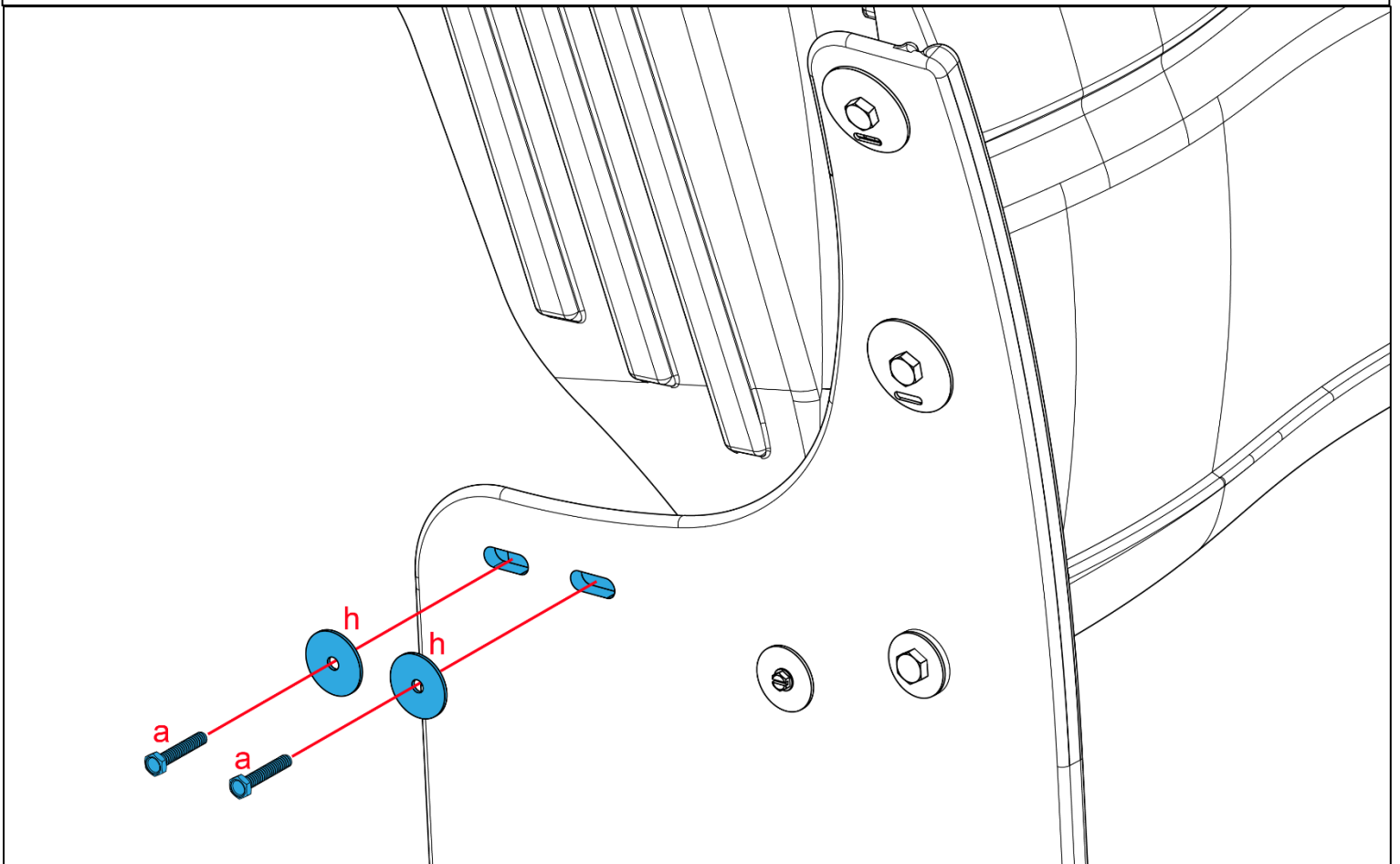
9-1 Slide mount clips behind fender lip as shown.



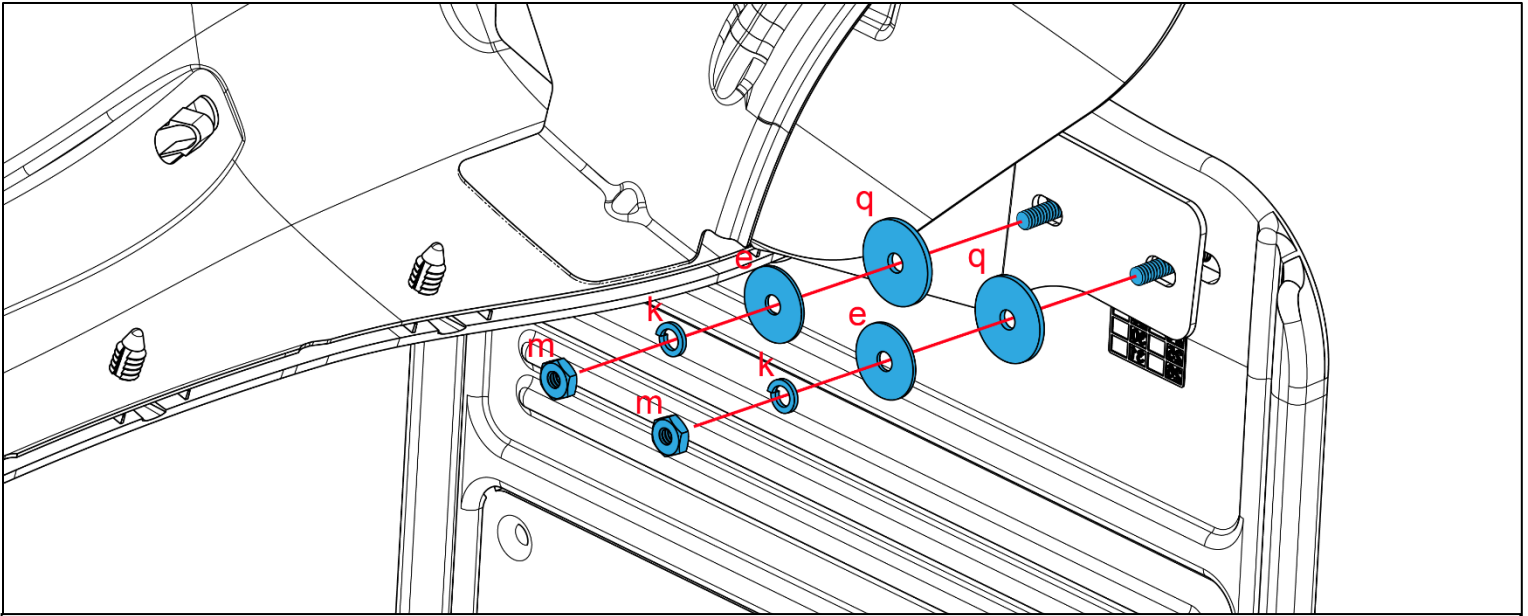
10-1 Loosely install hardware as shown.



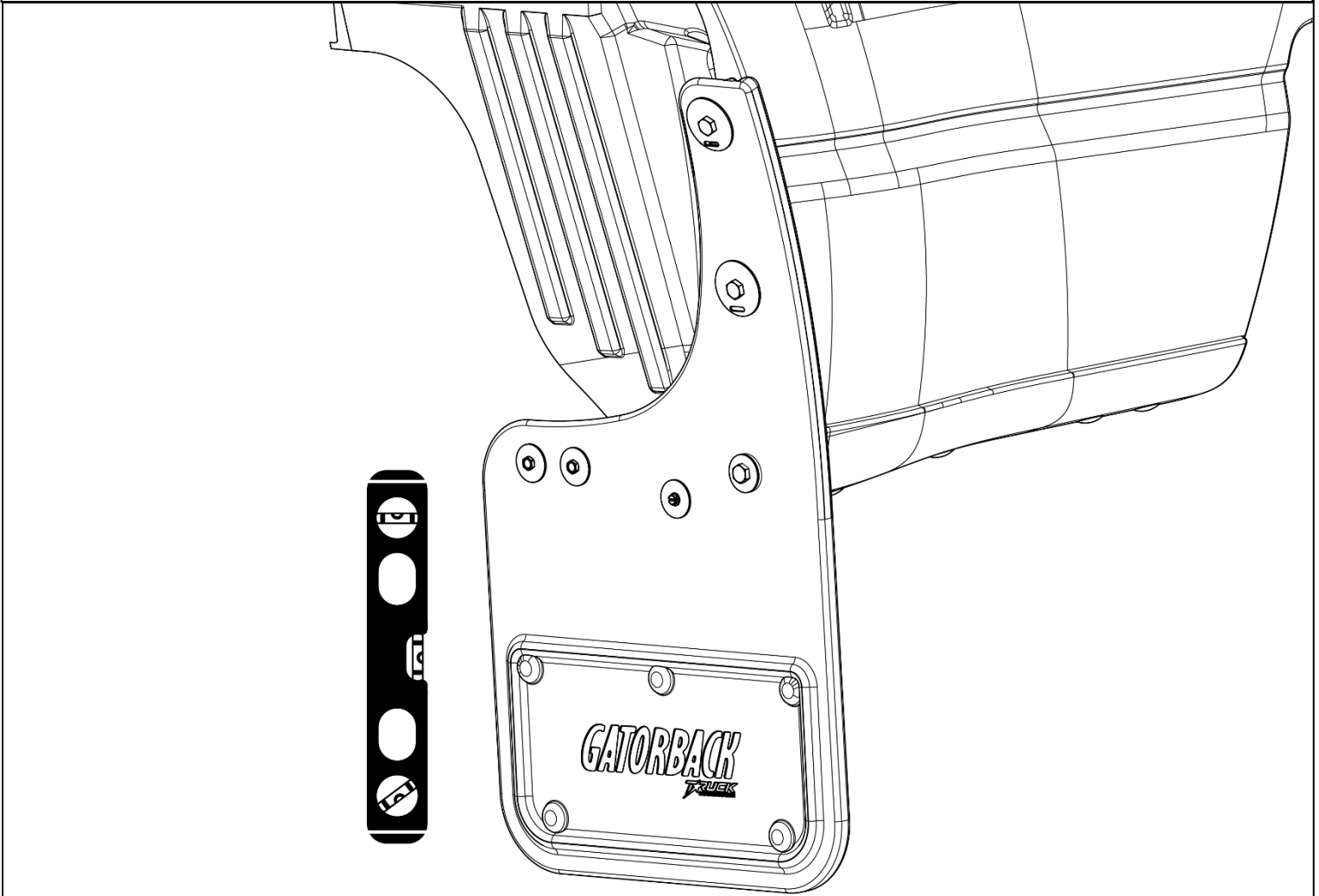
11-1 Loosely install hardware as shown as shown.



12-1 Loosely install hardware as shown as shown.



12-2 Loosely secure the hardware installed in step 12-1 as shown.



13-1 Use a level and visually determine your mud flap is straight. Gently tighten all fasteners.

Please check out our YouTube channel to see an install video for this application.



1520 - 33 St N • Lethbridge, AB T1H 5H3 • Canada
Toll free: 1-800-661-8208 • Email: info@truckhardware.ca • www.truckhardware.ca

