

**FRTCA****FORD**

Rear suspension package  
Ensemble pour suspension arrière  
Ensemble para suspensión de trasero

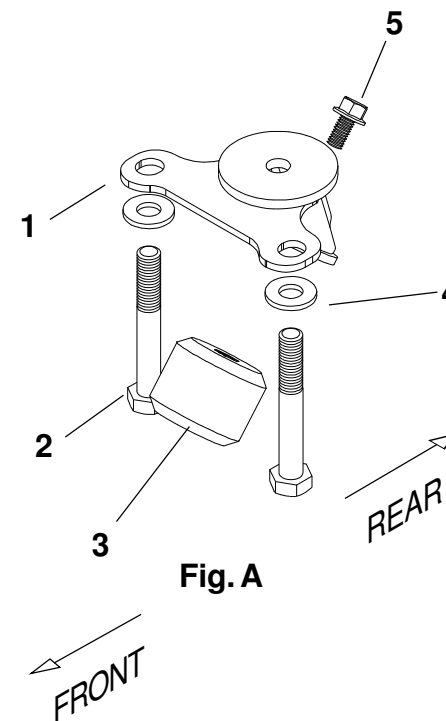
INSTALLATION INSTRUCTIONS

1. Park vehicle on a solid and level ground.
2. Turn Ignition OFF. Remove key.
3. Loosen lug nuts of rear wheels, ½ turn to a full turn each.
4. Apply handbrake.
5. Place blocks in front and rear of front tires.
6. Use a proper jack, raise rear axle, one side at a time (refer to owner's manual to find proper place to position jack / jack stand)
7. Support vehicle by placing jack stand(s) below frame.
8. Remove lug nuts, remove wheel (Fig. B)
9. Pre-install Aeon rubber spring to Timbren bracket using supplied bolt. (Fig. A)
10. Position bracket above trailing arm of rear suspension with Aeon facing directly down on the arm (Fig. C)
11. The OEM Bracket that attaches control arm to frame is mounted using 4 bolts (Fig. D) ;  
Remove the two rear bolts and replace them with Timbren supplied bolts: Start with inboard hole; insert bolt and hand tighten it. Pull bracket towards outboard until second hole of bracket lines up with second hole of frame. Insert bolt and tighten / install both bolts.
12. Repeat the same procedure for the opposite side.
13. Lower vehicle and remove jack, jack stand and blocks.

**Fig. B****Fig. C****Fig. D**

**Ref.** = Reference = No. de référence = Núm. de referencia  
**Part** = Part #. = No. de pièce = Núm. de pieza  
**Qty.** = Quantity = Quantité = Cantidad

Ref	Part	Qty
1	K10550-003	2
2	F11609-386	4
3	A00140-75AA0D	2
4	F40060-086	4
5	F1A060-250	2

**Fig. A**

Do not exceed vehicle manufacturer's recommended axle weight rating. Check for AEON® interference with vehicle components - Under load AEON® will "expand" in diameter.

FRTCA



# FRTCA

TIMBREN INDUSTRIES INC.

[www.timbren.com](http://www.timbren.com)

PART NUMBER	DESCRIPTION	QTY	LOCATION
<b>F40060-086</b>	WASHER FLT 9/16 x 1-3/16 F436 ZD	<b>4</b>	<b>P3B</b>
<b>F11609-386</b>	HCS M14-2.0 x M100 PC 10.9 ZD DIN 931	<b>4</b>	
<b>F1A060-250</b>	FLANGE BOLT 3/8 - 16 x 3/4 UNC GR5 Z	<b>2</b>	<b>I3E</b>
<b>K10550-003</b>	FRTCA WELDMENT PAINTED	<b>2</b>	<b>D10F</b>
<b>A00140-75AA0D</b>	HOLLOW RUBBER SPRING	<b>2</b>	
<b>B90200-CR</b>	SMALL REAR BOX - 9.5 x 7 x 5.5	<b>1</b>	<b>A--E</b>
<b>B10000</b>	8" x 12" BUBBLE FOR KITS	<b>1</b>	
<b>B00029-010</b>	BARCODE LABEL FOR KIT	<b>1</b>	

## ASSEMBLY NOTES:

Issued: 01/11/23

### Clearance Instructions:

Rear SES Kits for Pick-Ups and Vans should have a 1/2" to 1-1/2" gap between the rubber spring and contact point when empty.

A partial load, or vehicle accessories will reduce or eliminate the gap.

Front SES kits are usually in full contact.

Medium and Heavy-Duty Trucks, Trailers and Motorhomes will be in constant contact, and have no gap.

### Lifetime Warranty:

Timbren SES Kits are warranted against defects in material and workmanship, under normal use and service, for the life of the vehicle on which the kit was originally installed. The warranty is not transferable and proof of purchase is required. The warranty is limited to the replacement of the failed part.

TIMBREN will not be responsible for any labour or freight charges involved in the replacement of any product. TIMBREN shall be entitled to make its own inspection to determine the validity of the claim. TIMBREN shall not be liable nor warranty the product in the event of alteration, misuse, overload, negligence or damage caused by others.

If ride or performance of our product is unsatisfactory in any way, please call: 1-800-263-3113 or email [sales@timbren.com](mailto:sales@timbren.com)