

## INSTALLATION INSTRUCTIONS #INST223:

SIDE RAIL KIT #55567, 55567TB, 65567, 65567TB

Dodge Ram 2019-Current 5'7", 6'4"

### READ THIS NOW!

Your truck should look like the one shown. If you think you are missing any parts, think that this part number is not for your truck or have any installation questions, call our customer service department at toll free:

**888-588-6101 or locally 800-265-8137.**

**Other ways to reach RealTruck Backrack:**

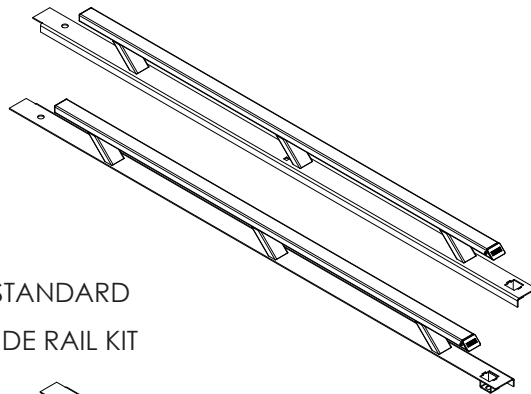
**email: [info@backrack.ca](mailto:info@backrack.ca)**

**[Support@backrack.com](mailto:Support@backrack.com)**

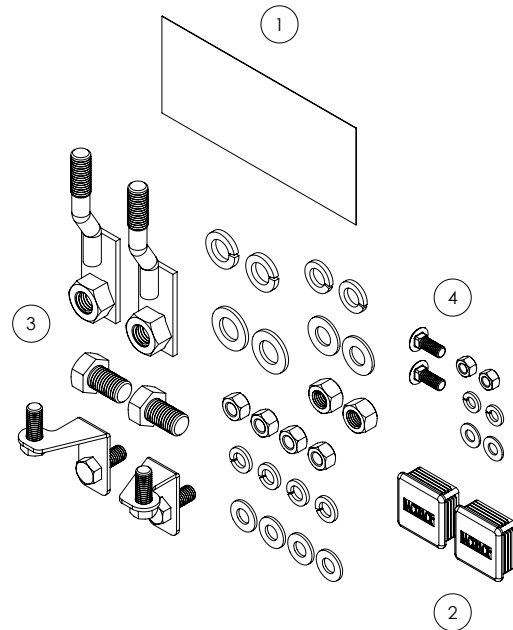
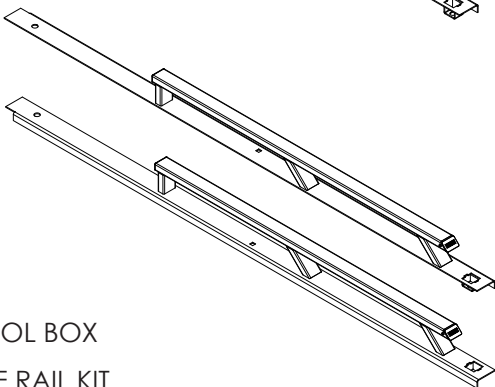


The SIDE RAILS are secured to your truck with a set of "Stake Pocket Bolts" specifically designed for your make and model of truck. These bolts mount into each of the two front and rear stake pockets. The SIDE RAIL assembly sits on the bed rails of your truck and is secured to these Stake Pocket Bolts. If your truck has a BEDLINER we suggest you remove it to install the Stake Pocket Bolts

STANDARD  
SIDE RAIL KIT



TOOL BOX  
SIDE RAIL KIT



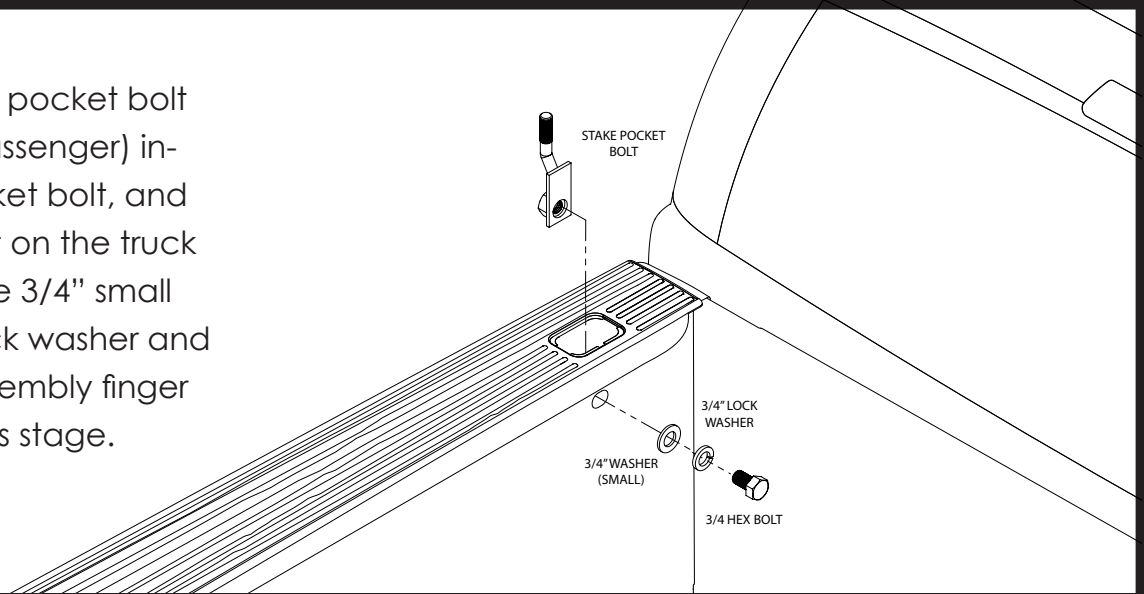
ITEM NO.	PART NUMBER	DESCRIPTION	QTY.
1	INST223	Installation Instruction	1
2	SF013	Stake Pocket Trim Cap	2
3	BAG076	Side Rail Rear Fasteners	1
4	BAG043	Side Rail Centre Fasteners	1

**FOR MORE INFORMATION SCAN HERE!**

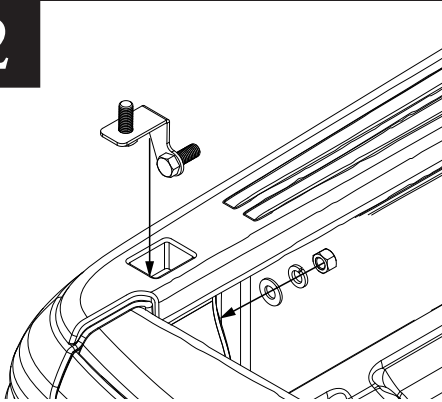


1

For each stake pocket bolt (driver and passenger) install stake pocket bolt, and through the slot on the truck bed. Install the 3/4" small steel washer, lock washer and nut. Leave assembly finger tight at this stage.

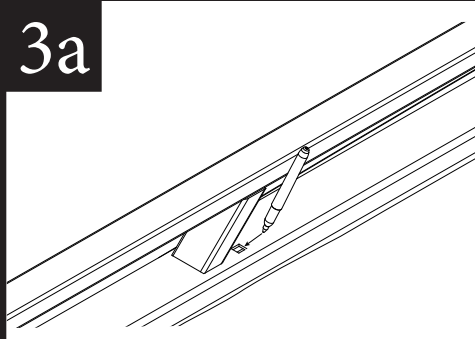


2



Install rear stake pocket bolt inside pocket. Hand tighten the bolt with lock washer and washer as shown.

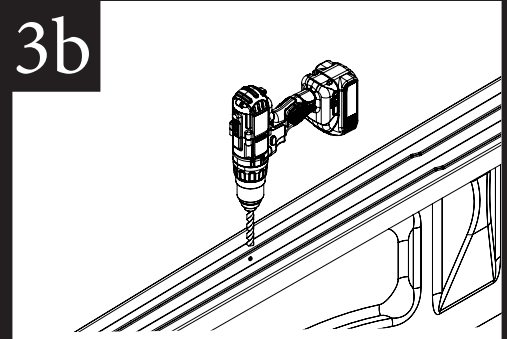
3a



**\*\*FOR 6.5' Beds Only\*\***

Place the rails onto the truck locating over the stake pocket bolts, the rail can be temporarily hand tightened in place, or held firmly in place while marking. Mark the location of the square hole.

3b

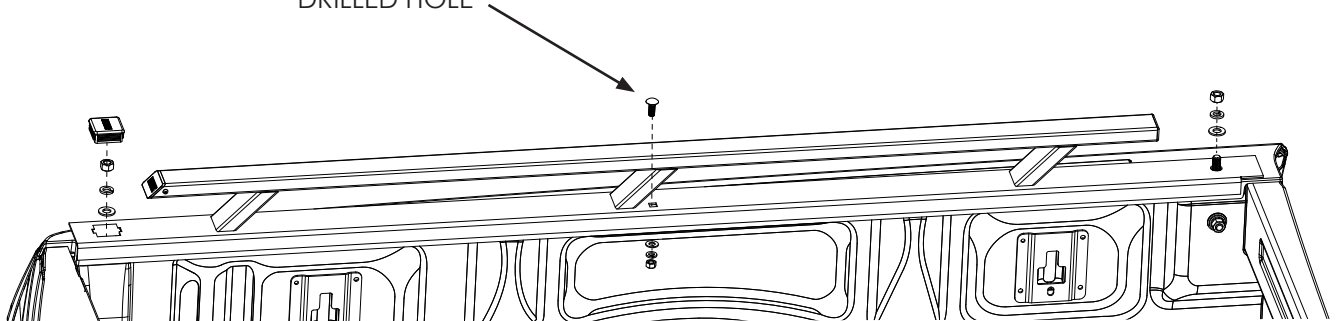


**\*\*FOR 6.5' Beds Only\*\***

Using a hand drill, carefully drill the center of the marked position with a 1/8" drill (pilot hole). Finish drilling rail with a 1/2" drill and de-bur the hole

4

**\*\*6.5 ft Box\*\*  
DRILLED HOLE**



Place side rail over the stake pocket bolts. Hand tighten all bolts. Align side rail against inside and front of truck bed. Torque all bolts. Snap trim caps into square holes.

NOTE:

Illustration shows standard side rail kit, follow same procedure for tool box kit.