

# BACKRACK™

FUNCTION AND STYLE FOR TODAY'S TRUCKS

## INSTALLATION INSTRUCTIONS #INST229:

SIDE RAIL KIT #55517, 55517TB, 65517, 65517TB, 80517, 80517TB

Dodge Ram 02-16 8ft / 2010-16 6.5ft / 2002-08 All Beds

### READ THIS NOW!

Your truck should look like the one shown. If you think you are missing any parts, think that this part number is not for your truck or have any installation questions, call our customer service department at toll free:

**800-265-8137** or locally **905 849-3633**.

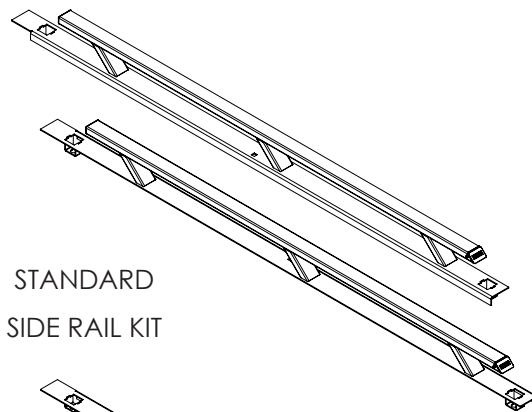
Other ways to reach BACKRACK:

Fax **905-849-4116**

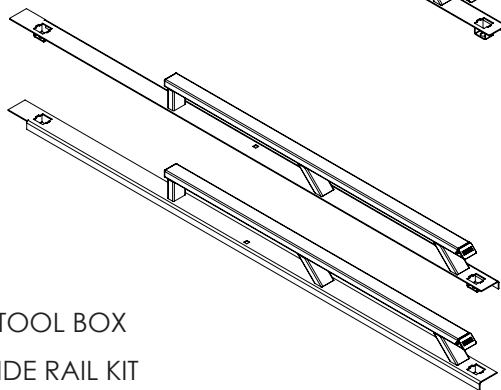
email: [techsupport@backrack.ca](mailto:techsupport@backrack.ca)



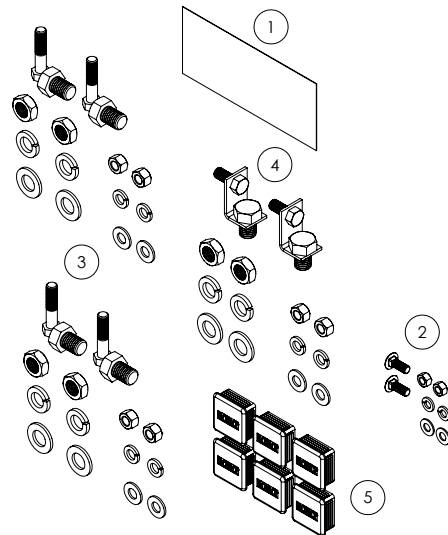
The SIDE RAILS are secured to your truck with a set of "Stake Pocket Bolts" specifically designed for your make and model of truck. These bolts mount into each of the two front and rear stake pockets. The SIDE RAIL assembly sits on the bed rails of your truck and is secured to these Stake Pocket Bolts. If your truck has a BEDLINER we suggest you remove it to install the Stake Pocket Bolts



STANDARD  
SIDE RAIL KIT



TOOL BOX  
SIDE RAIL KIT



ITEM NO.	PART NUMBER	DESCRIPTION	QTY.
1	INST229	Installation Instruction	1
2	BAG052*	Side Rail Rear Fasteners	1
3	BAG050**	Side Rail Rear Fasteners	2
4	BAG052	Side Rail Rear Fasteners	1
5	SF013***	Stake Pocket Trim Cap	6

\* Included with kits for 6.5 ft Box

\*\* 2 Included with kits for 8ft, 1 for 6.5 ft Box

\*\*\* 4 trim caps included in 6.5 ft kits, qty six in the 8ft kits.

**FOR MORE INFORMATION SCAN HERE!**

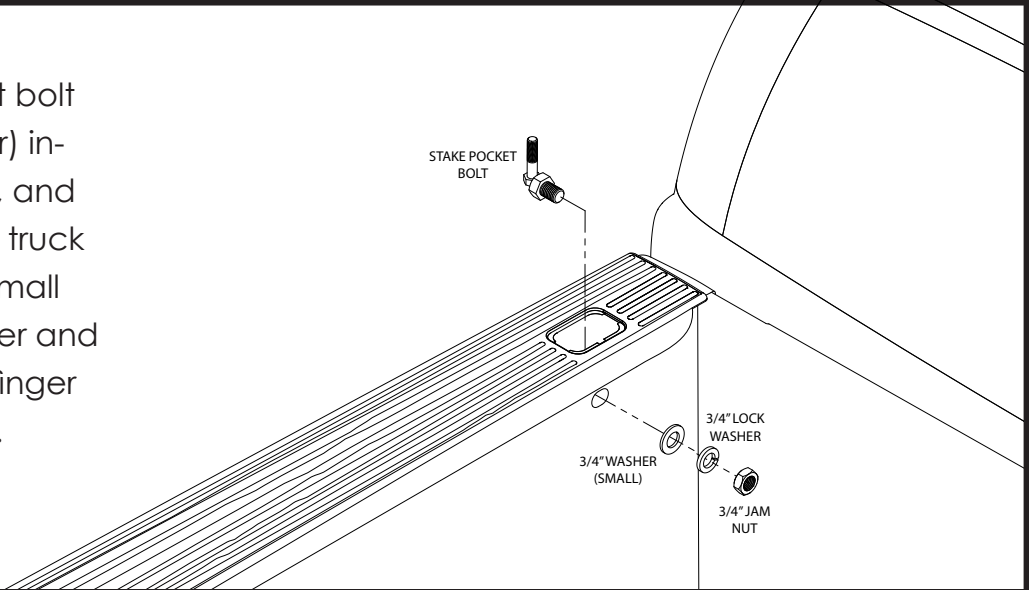


# BACKRACK™

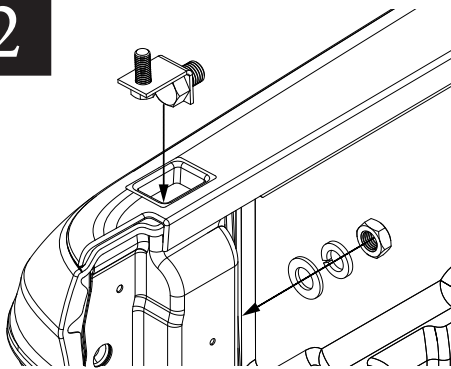
FUNCTION AND STYLE FOR TODAY'S TRUCKS

1

For each stake pocket bolt (driver and passenger) install stake pocket bolt, and through the slot on the truck bed. Install the 3/4" small steel washer, lock washer and nut. Leave assembly finger tight at this stage.

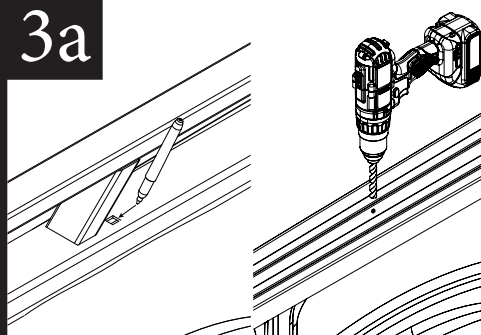


2



Install rear stake pocket bolt inside pocket. Hand tighten the bolt with lock washer and washer as shown.

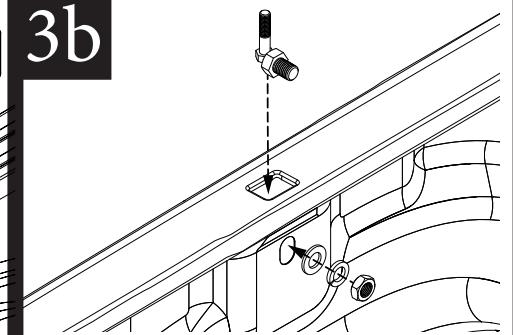
3a



**\*\*FOR 6.5' Beds Only\*\***

Place the rails onto the truck locating over the stake pocket bolts, the rail can be temporarily hand tightened in place, or held firmly in place while marking. Mark the location of the square hole. Using a hand drill, carefully drill the center of the marked position with a 1/8" drill (pilot hole). Finish drilling rail with a 1/2" drill and de-bur the hole

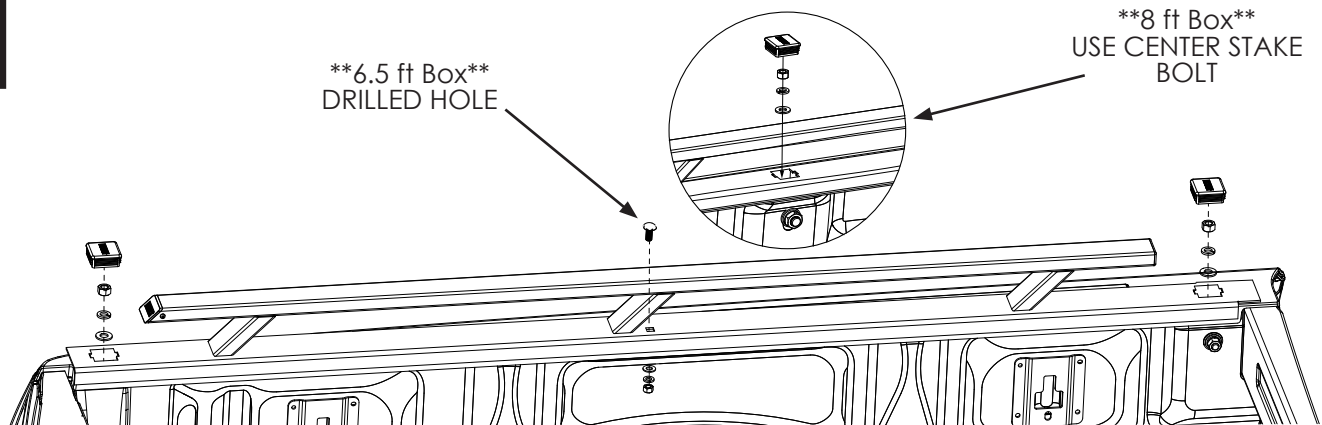
3b



**\*\*FOR 8' beds only\*\***

Attach the center clamp to the side rail with the supplied bolt and washers. Leaving the clamp loose, place into the center stake pocket. Hand tighten, the clamp should rotate in the pocket and hold on the underside of the pocket.

4



Place side rail over the stake pocket bolts. Hand tighten all bolts. Align side rail against inside and front of truck bed. Torque all bolts. Snap trim caps into square holes.

NOTE:

Illustration shows standard side rail kit, follow same procedure for tool box kit.