

BACKRACK™

FUNCTION AND STYLE FOR TODAY'S TRUCKS

INSTALLATION INSTRUCTIONS #INST033:

BACKRACK KIT #30112, 30112TB, 30112TB31

2004-2014 Ford F-150

READ THIS NOW!

Your truck should look like the one shown. If you think you are missing any parts, think that this part number is not for your truck or have any installation question, call our customer service department at toll free:

800-265-8137 or locally **905 849-3633**.

Other ways to reach BACKRACK:

Fax **905-849-4116**

email: techsupport@backrack.ca



The BACKRACK is secured to your truck with a pair of "Stake Pocket Bolts" specifically designed for your make and model of truck. These bolts mount into each of the two front stake pockets. The BACKRACK assembly sits on the bed rails of your truck and is secured to these Stake Pocket Bolts. If your truck has a BEDLINER we suggest you remove it to install the Stake Pocket Bolts

PARTS LIST FOR KIT #30112

PART	DESCRIPTION	QTY
RP512D	512 Rail Plate Driver Side	1
RP512P	512 Rail Plate Passenger Side	1
RMB512D	Rear Mount Bracket Driver	1
RMB512P	Rear Mount Bracket Passenger	1
HARDWARE BAG523		
INST033	Installation Instruction	1
SBY512D	Stake Pocket Bolt Driver	1
SBY512P	Stake Pocket Bolt Passenger	1
FYZ009	1/2"-13 Hex Nut	4
FYZ011	1/2" Flat Washer	4
FYZ014	1/2"-20 x 3.25 Carrige Bolt Grade 8	2
FYZ008	1/2"-20 Nylon Hex Lock Nut	2
FYZ023	Threaded Plate	2
INST026	Installation Instruction	1
FYZ010	1/2" Lock Waser	4
FYZ012	1/2" Flat Washer Large	2
HARDWARE BAG923		
INST044	Installation Instruction	1
RPY512S	Spacer Plate	2
SF004	Foam Pad	2

PARTS LIST FOR KIT #30112TB, 30112TB31

PART	DESCRIPTION	QTY
TB512D	Toolbox Bracket Driver	1
TB512P	Toolbox Bracket Passenger	1
OR		
TB902D	31" Toolbox Bracket Driver	1
TB902P	31" Toolbox Bracket Passenger	1
HARDWARE BAG523		
INST033	Installation Instruction	1
SBY512D	Stake Pocket Bolt Driver	1
SBY512P	Stake Pocket Bolt Passenger	1
FYZ009	1/2"-13 Hex Nut	4
FYZ011	1/2" Flat Washer	4
FYZ014	1/2"-20 x 3.25 Carrige Bolt Grade 8	2
FYZ008	1/2"-20 Nylon Hex Lock Nut	2
FYZ023	Threaded Plate	2
INST026	Installation Instruction	1
FYZ010	1/2" Lock Waser	4
FYZ012	1/2" Flat Washer Large	2
HARDWARE BAG923		
INST044	Installation Instruction	1
RPY512S	Spacer Plate	2
SF004	Foam Pad	2

FOR MORE INFORMATION SCAN HERE!

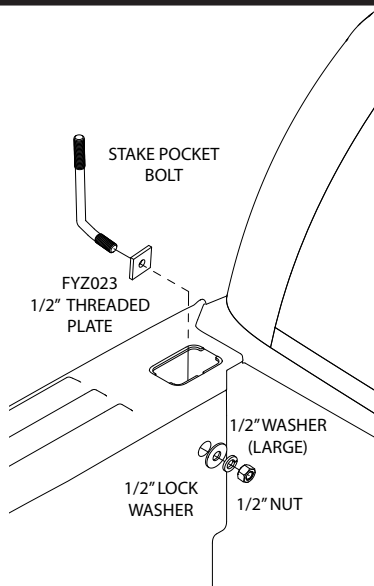


BACKRACK™

FUNCTION AND STYLE FOR TODAY'S TRUCKS

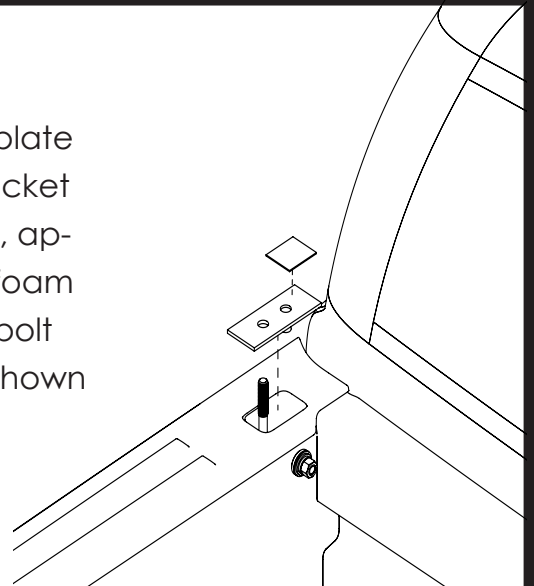
1a

For each stake pocket bolt (driver and passenger) install the threaded plate. Thread the on plate so there is sufficient thread for the washers and nut. insert through the slot on the truck bed. Install the 1/2" large steel washer, lock washer and nut. Leave assembly finger tight at this stage.



1b

Insert spacer plate over stake pocket bolt as shown, apply adhesive foam opposite to bolt clearance as shown



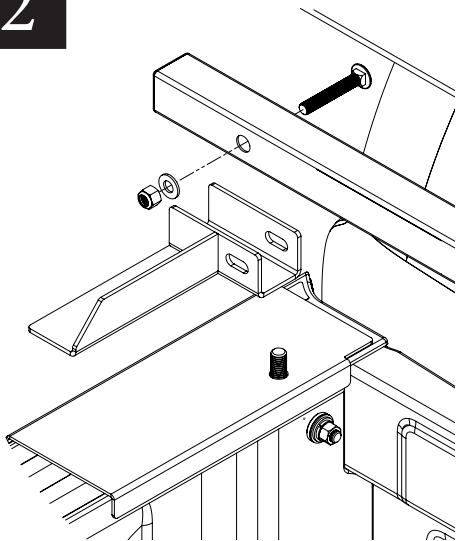
2

Fasten Backrack to the Rail mount bracket, or Toolbox bracket. Finger tighten at this stage.

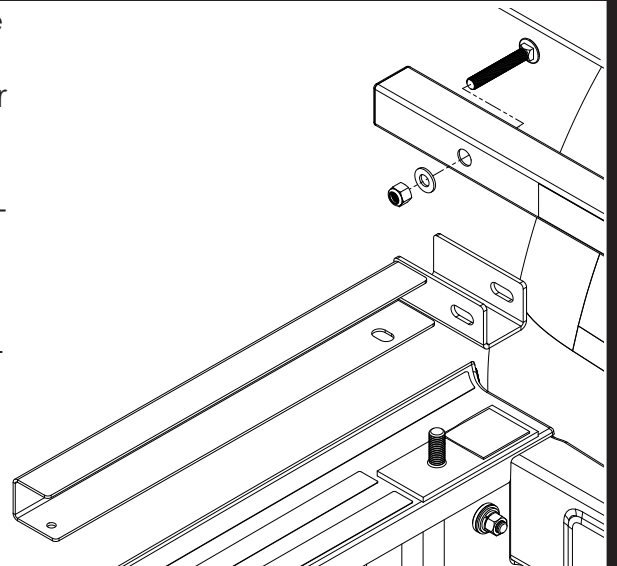
Install rail plate for standard kit

****IMPORTANT****

Install the carriage bolt as shown in the diagram with the round head closest to the cab. Failure to do so could result in damage to the cab or rear window.



KIT #30112

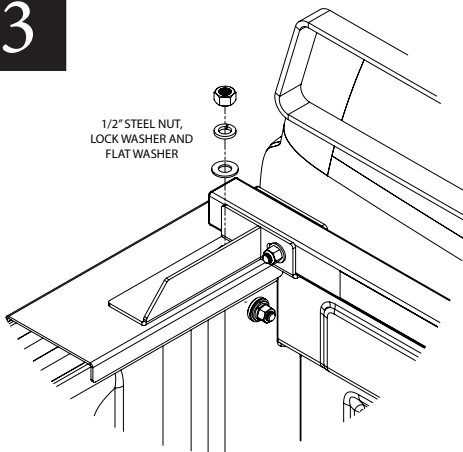


KIT #30112TB,
30112TB31

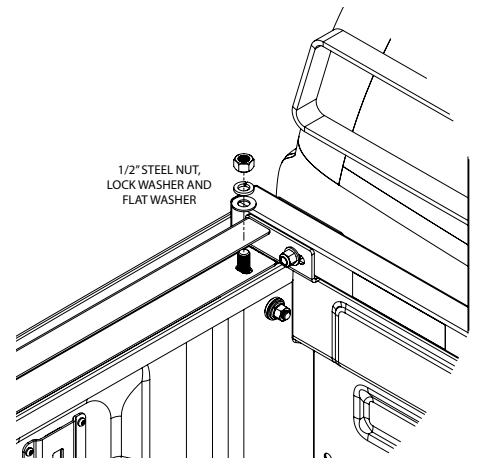
3

Fasten Backrack Assembly to the Stake pocket bolt as shown.

Center the Backrack assembly on the truck and final torque all bolts starting with the nuts on the inside of the truck bed, then the rail mount or toolbox bracket and finally the main BACKRACK carriage bolt



KIT #30112



KIT #30112TB,
30112TB31