

INSTALLATION INSTRUCTIONS #INST034:

REALTRUCK BACKRACK KIT #30116, 30116TB,
2004-2014 Colorado / Canyon

READ THIS NOW!

Your truck should look like the one shown. If you think you are missing any parts, think that this part number is not for your truck or have any installation question, call our customer service department at toll free:

888-588-6101 or locally 800-265-8137.

Other ways to reach RealTruck Backrack:

email: info@backrack.ca

Support@backrack.com



The RealTruck Backrack is secured to your truck with a pair of "Stake Pocket Bolts" specifically designed for your make and model of truck. These bolts mount into each of the two front stake pockets. The RealTruck Backrack assembly sits on the bed rails of your truck and is secured to these Stake Pocket Bolts. If your truck has a BEDLINER we suggest you remove it to install the Stake Pocket Bolts

PARTS LIST FOR KIT #30116

PART	DESCRIPTION	QTY
RP316D	Rail Plate Driver	1
RP316P	Rail Plate Passenger	1
RMB316P	Rail Mount Bracket Passenger	1
RMB316D	Rail Mount Bracket Driver	1
HARDWARE BAG316		
INST034	Installation Instructions	1
FYZ001	3/8"-16 Hex Nut	4
FYZ002	3/8" Lock Washer	4
FYZ003	3/8" Flat Washer	4
FYZ008	1/2"-20 Nylon Hex Lock Nut	2
FYZ011	1/2" Flat Washer	2
FYZ014	1/2"-20 x 3.25" Carrige Bolt Grade 8	2
SF002	2" x 6" Foam Pad	2
FYZ016	5/8"-11 Hex Nut	2
FYZ017	5/8" Lock Washer	2
FYZ018	5/8" Flat Washer	2
SBY316S	Stake Pocket Bolt	2
SBY310S	Stake Pocket Bolt	4

PARTS LIST FOR KIT #30116TB,

PART	DESCRIPTION	QTY
TB310D	Toolbox Bracket Driver Side	1
TB310P	Toolbox Bracket Passenger Side	1
HARDWARE BAG316		
INST034	Installation Instructions	1
FYZ001	3/8"-16 Hex Nut	4
FYZ002	3/8" Lock Washer	4
FYZ003	3/8" Flat Washer	4
FYZ008	1/2"-20 Nylon Hex Lock Nut	2
FYZ011	1/2" Flat Washer	2
FYZ014	1/2"-20 x 3.25" Carrige Bolt Grade 8	2
SF002	2" x 6" Foam Pad	2
FYZ016	5/8"-11 Hex Nut	2
FYZ017	5/8" Lock Washer	2
FYZ018	5/8" Flat Washer	2
SBY316S	Stake Pocket Bolt	2
SBY310S	Stake Pocket Bolt	4

FOR MORE INFORMATION SCAN HERE!



1

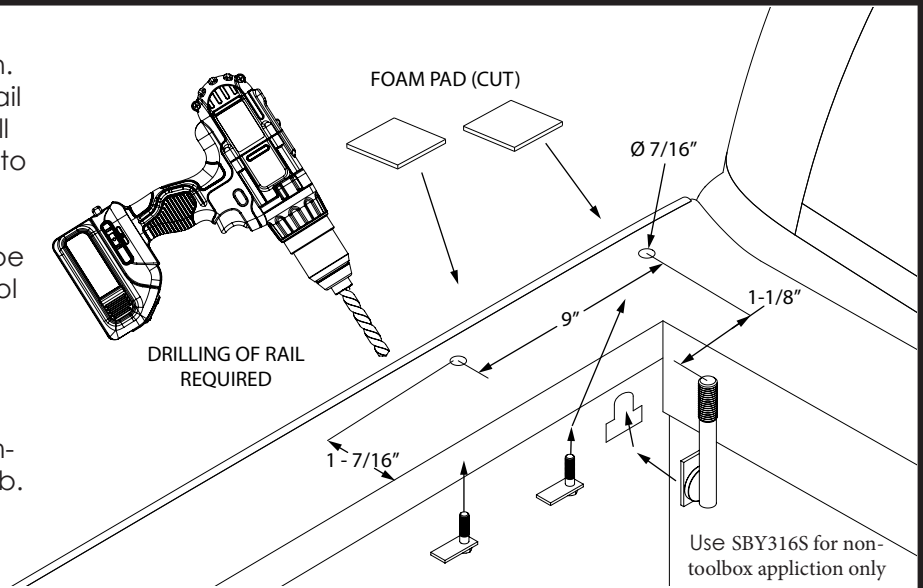
Mark the hole positions as shown. Before drilling, check that your Rail Plate and Rail Mount Bracket will align with the marks and appear to be in the correct position.

Look at steps 2 and 4 to verify.

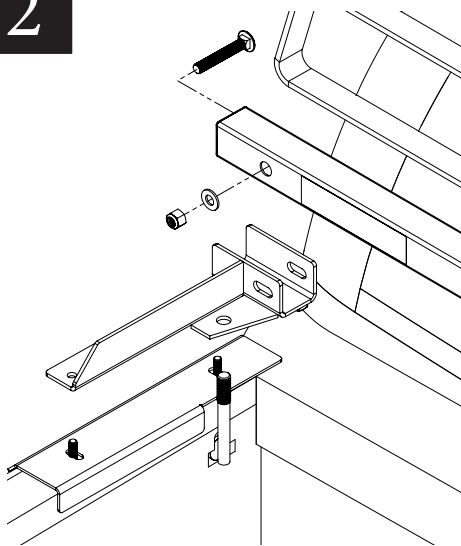
Apply foam pads to truck rail to be centered on your rail plate or Tool Box Bracket.

****USE EXTREME CAUTION WHEN DRILLING****

Improper drilling can cause damage to your truck bed and/or cab.



2

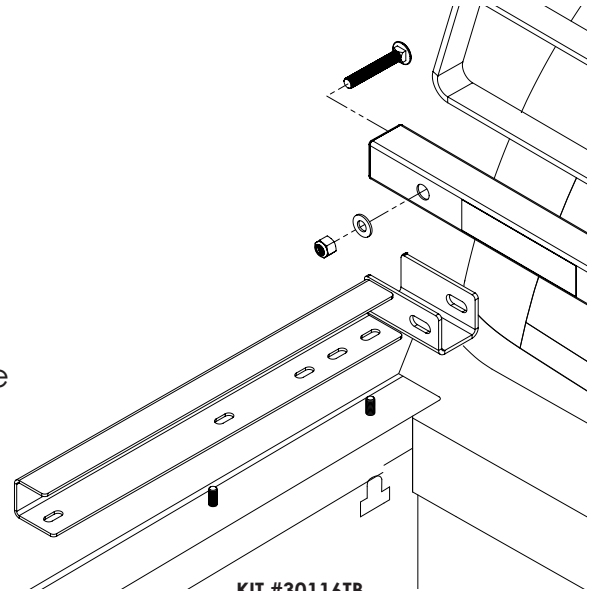


KIT #30116

Fasten the RealTruck Backrack to the Rail mount bracket, or Toolbox bracket. Finger tighten at this stage.

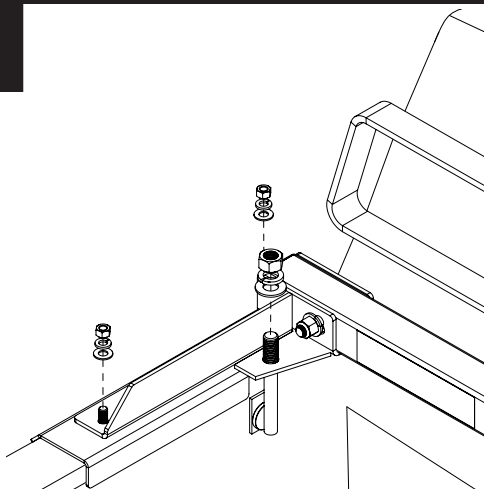
****IMPORTANT****

Install the carriage bolt as shown in the diagram with the round head closest to the cab. Failure to do so could result in damage to the cab or rear window.



KIT #30116TB,
30116TB31

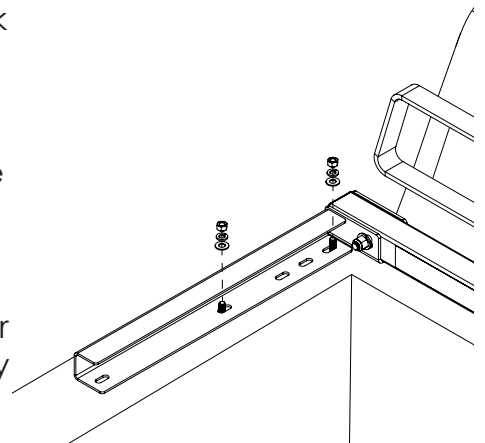
3



KIT #30116

Fasten RealTruck Backrack Assembly to the Stake pocket bolt as shown.

Center the RealTruck Backrack assembly on the truck and final torque all bolts starting with the nuts on the inside of the truck bed, then the rail mount or toolbox bracket and finally the main RealTruck Backrack carriage bolt



KIT #30116TB,
30116TB31