

## INSTALLATION INSTRUCTIONS #INST075: REALTRUCK BACKRACK KIT #30122, 30122TB, 30122TB31 2019 Current Chev/GMC Silverado, Sierra

### READ THIS NOW!

Your truck should look like the one shown. If you think you are missing any parts, think that this part number is not for your truck or have any installation questions, call our customer service department at toll free:

**888-588-6101 or locally 800-265-8137.**

**Other ways to reach RealTruck Backrack:**

**email: [info@backrack.ca](mailto:info@backrack.ca)**

**[Support@backrack.com](mailto:Support@backrack.com)**



The RealTruck Backrack is secured to your truck with a pair of "Stake Pocket Bolts" specifically designed for your make and model of truck. These bolts mount into each of the two front stake pockets. The RealTruck Backrack assembly sits on the bed rails of your truck and is secured to these Stake Pocket Bolts. If your truck has a BEDLINER we suggest you remove it to install the Stake Pocket Bolts

#### PARTS LIST FOR KIT #30122

PART	DESCRIPTION	QTY
RMB801D	Rear Mount Bracket Driver Side	1
RMB801P	Rear Mount Bracket Passenger Side	1
RP522D	522 Rail Plate Driver Side	1
RP522P	522 Rail Plate Passenger Side	1
<b>HARDWARE BAG524</b>		
INST075	Installation Instructions	1
FYZ008	1/2"-20 Nylon Hex Lock Nut	2
FYZ011	1/2" Flat Washer	2
FYZ014	1/2"-20 x 3.25" Carriage Bolt Grade 8	2
FYZ016	5/8"-11 Hex Nut	2
FYZ017	5/8" Lock Washer	2
FYZ018	5/8" Flat Washer	2
FYZ020	3/4" Lock Washer	2
FYZ021	3/4" Flat Washer	2
DB9X8ET	Poly Bag	1
SF004	Foam Pad	4
FYZ062	3/4"-10 x 1.25" Full Thd Hex Bolt Grade 5	2
SBY959S	Stake Bolt - Short Version	2

#### PARTS LIST FOR KIT #30122TB, 30122TB31

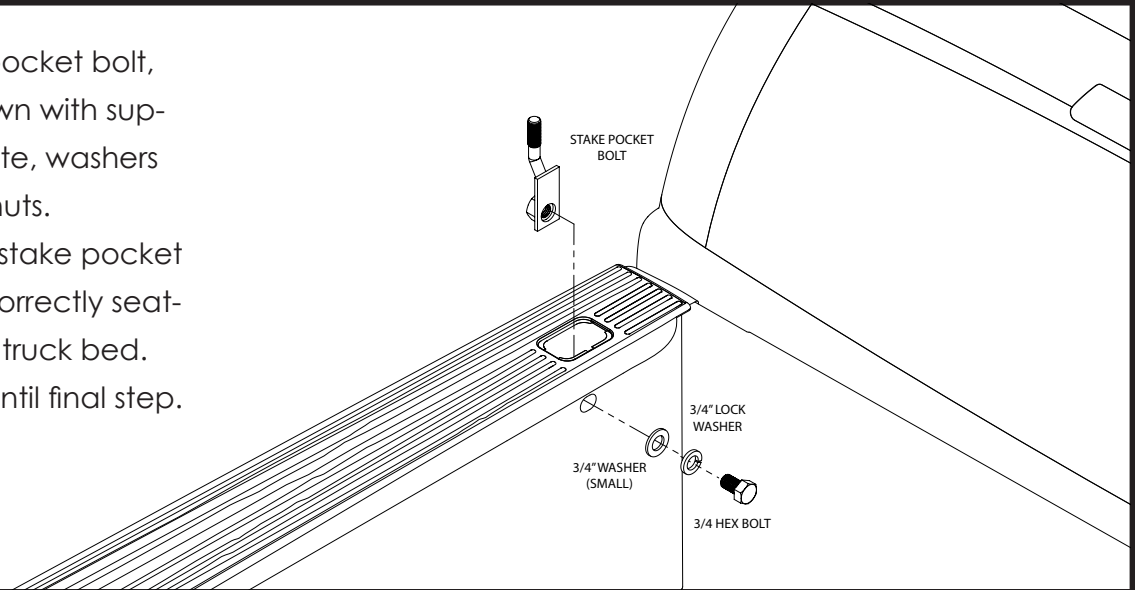
PART	DESCRIPTION	QTY
TB503D	Toolbox Bracket Driver	1
TB503P	Toolbox Bracket Passenger	1
<b>OR</b>		
TB901D	31" Toolbox Bracket Driver	1
TB901P	31" Toolbox Bracket Passenger	1
<b>HARDWARE BAG524</b>		
INST075	Installation Instructions	1
FYZ008	1/2"-20 Nylon Hex Lock Nut	2
FYZ011	1/2" Flat Washer	2
FYZ014	1/2"-20 x 3.25" Carriage Bolt Grade 8	2
FYZ016	5/8"-11 Hex Nut	2
FYZ017	5/8" Lock Washer	2
FYZ018	5/8" Flat Washer	2
FYZ020	3/4" Lock Washer	2
FYZ021	3/4" Flat Washer	2
DB9X8ET	Poly Bag	1
SF004	Foam Pad	4
FYZ062	3/4"-10 x 1.25" Full Thd Hex Bolt Grade 5	2
SBY959S	Stake Bolt - Short Version	2

**FOR MORE INFORMATION SCAN HERE!**



1

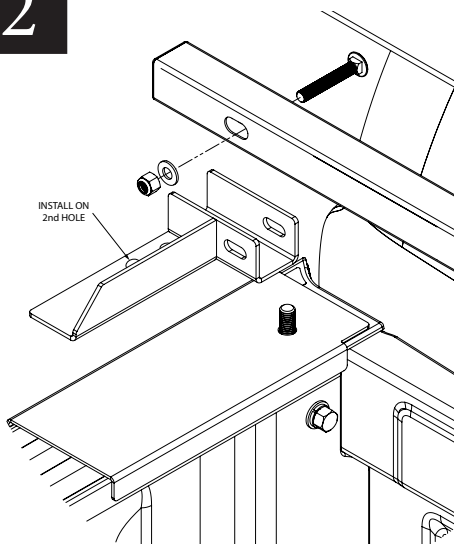
Insert stake pocket bolt, fasten as shown with supplied bolt plate, washers and nuts.  
 Make sure the stake pocket bolt tabs are correctly seated in slot on truck bed.  
 Hand tighten until final step.



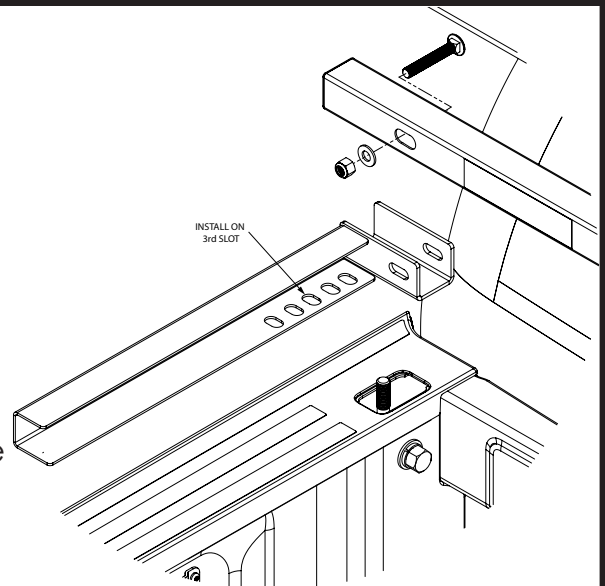
2

Fasten the RealTruck Backrack to the Rail mount bracket, or Toolbox bracket. Finger tighten at this stage.

**\*\*IMPORTANT\*\***  
 Install the carriage bolt as shown in the diagram with the round head closest to the cab. Failure to do so could result in damage to the cab or rear window.



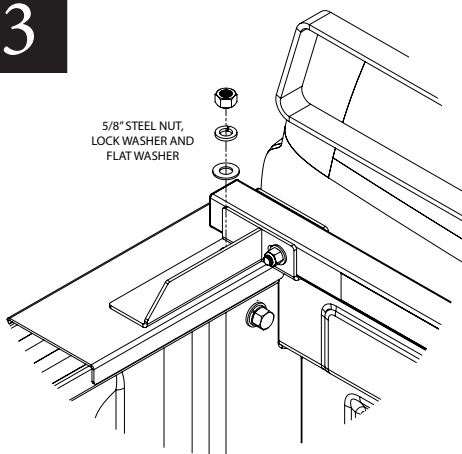
KIT #30122



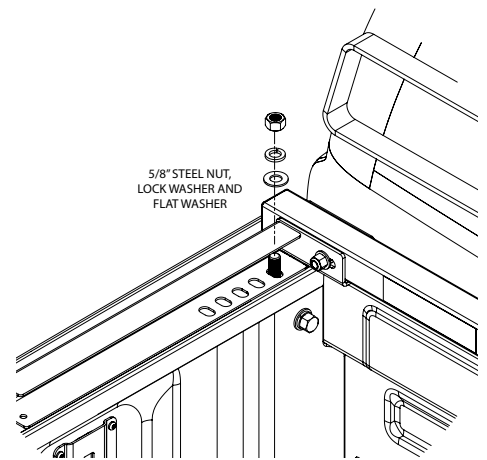
KIT #30122TB,  
30122TB31

3

Fasten RealTruck Backrack Assembly to the Stake pocket bolt as shown.  
 Center the RealTruck Backrack assembly on the truck and final torque all bolts starting with the nuts on the inside of the truck bed, then the rail mount or toolbox bracket and finally the main RealTruck Backrack carriage bolt



KIT #30122



KIT #30122TB,  
30122TB31