

## INSTALLATION INSTRUCTIONS #INST-239: REALTRUCK BACKRACK KIT #30150 2022-Curent Ford Maverick

### READ THIS NOW!

Your truck should look like the one shown. If you think you are missing any parts, think that this part number is not for your truck or have any installation question, call our customer service department at toll free:

**888-588-6101 or locally 800-265-8137.**

**Other ways to reach RealTruck Backrack:**

**email: [info@backrack.ca](mailto:info@backrack.ca)**

**[Support@backrack.com](mailto:Support@backrack.com)**



The RealTruck Backrack is secured to your truck with 3/8" clamp bolts and clamp plates (if applicable) specifically designed for your make and model of truck.

These bolts mount into each of the two bed rails. The RealTruck Backrack assembly sits on the bed rails of your truck. If your truck has a BEDLINER we suggest you re-move it to install the rail mount brackets.

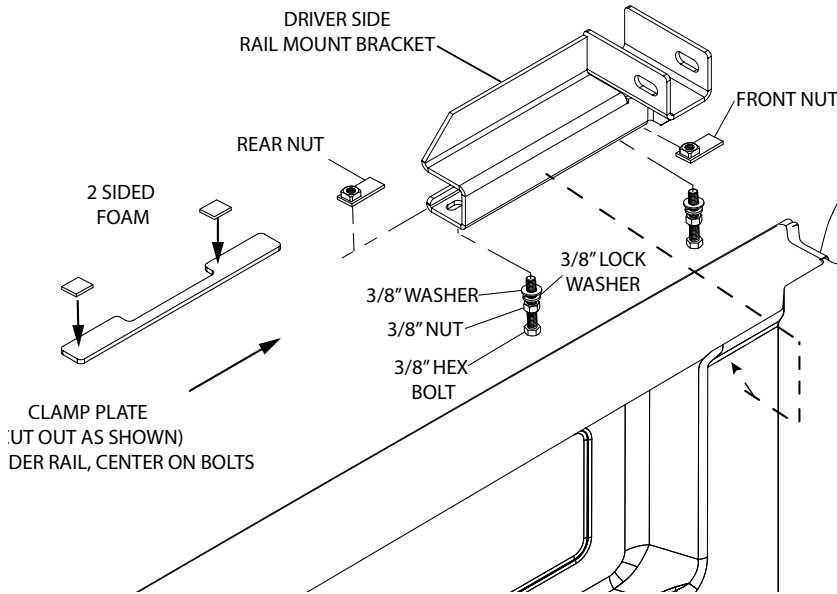
#### PARTS LIST FOR KIT #30150

PART	DESCRIPTION	QTY
RMB315D	Rear Mount Bracket Driver	1
RMB315P	Rear Mount Bracket Passenger	1
<b>HARDWARE BAG331</b>		
INST000	Installation Instruction	1
FYZ001	3/8"-16 Hex Nut	4
FYZ002	3/8" Lock Washer	4
FYZ003	3/8" Flat Washer	4
FYZ008	1/2"-20 Nylon Hex Lock Nut	2
FYZ011	1/2" Flat Washer	2
FYZ014	1/2"-20 x 3.25" Carriage Bolt Grade 8	2
FYZ067	3/8"-16 X 2.5 Full Thd Hex Bolt Grade 5	4
SF017	2 Sided Foam tape	4
SBY954S	Stake Pocket Bolt Nut Assembly	4
LAS182	Clamp Plate	2
DB9X8ET	Poly Bag	1

**FOR MORE INFORMATION SCAN HERE!**

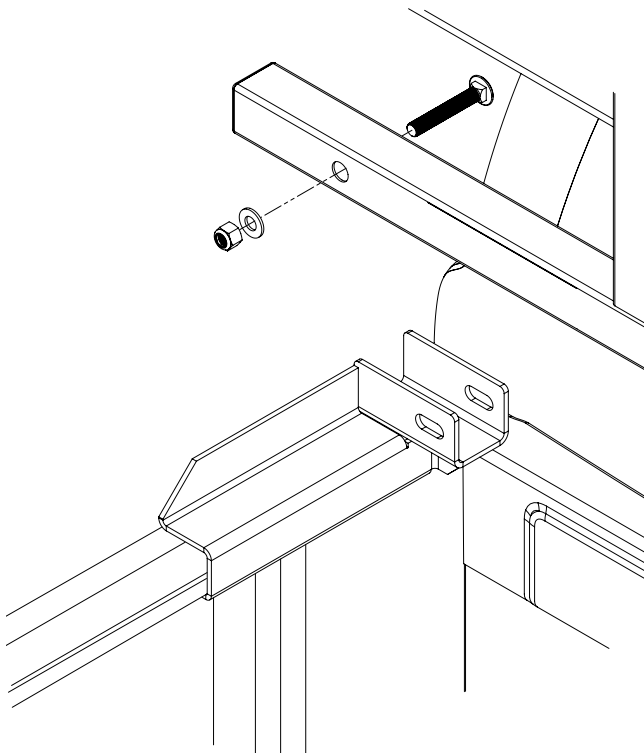


## 1



- Install rail mount brackets.
- Place front and rear nut into position under bed rail.
- Loosely thread in front and rear bolt (3/8") with washers and jam nut.
- Apply 2 sided foam to the clamp plate, position rail mount bracket forward and against inside rail.
- Install clamp plate between both ends and underside of truck bed rail
- Finger tighten 3/8" bolts.

## 2



Fasten the RealTruck Backrack to the Rail mount bracket, or Toolbox bracket. Finger tighten at this stage. Center rack on truck and fully tighten both carriage bolts, and 3/8" rail mount bolts. Tighten 3/8" nut to secure.

**\*\*IMPORTANT\*\***

Install the carriage bolt as shown in the diagram with the round head closest to the cab. Failure to do so could result in damage to the cab or rear window.