

INSTALLATION INSTRUCTIONS #INST001:
REALTRUCK BACKRACK KIT #30201, 30201TB, 30201TB31
 1999-2016 SUPER DUTY

READ THIS NOW!

Your truck should look like the one shown. If you think you are missing any parts, think that this part number is not for your truck or have any installation question, call our customer service department at toll free: 888-588-6101 or locally 800-265-8137.

Other ways to reach RealTruck Backrack:
 email: info@backrack.ca
Support@backrack.com



The RealTruck Backrack is secured to your truck with a pair of "Stake Pocket Bolts" specifically designed for your make and model of truck. These bolts mount into each of the two front stake pockets. The RealTruck Backrack assembly sits on the bed rails of your truck and is secured to these Stake Pocket Bolts. If your truck has a BEDLINER we suggest you remove it to install the Stake Pocket Bolts

PARTS LIST FOR KIT #30201

PART	DESCRIPTION	QTY
RP501D	Rail Plate Driver	1
RP501P	Rail Plate Passenger	1
RMB501P	Rail Mount Bracket Passenger	1
RMB501D	Rail Mount Bracket Driver	1
HARDWARE BAG501		
SBY501S	Stake Pocket Bolt	2
FYZ008	1/2"-20 Nylon Hex Lock Nut	2
FYZ011	1/2" Flat Washer	2
FYZ014	1/2"-20 x 3.25" Carriage Bolt Grade 8	2
FYZ016	5/8"-11 Hex Nut	2
FYZ017	5/8" Lock Washer	2
FYZ018	5/8" Flat Washer	2
FYZ019	3/4"-10 Jam Nut	2
FYZ020	3/4" Lock Washer	2
FYZ021	3/4" Flat Washer	2
FYZ022	3/4" Large Flat Washer	2
INST001	Installation Instruction	1

**PARTS LIST FOR KIT #30201TB,
 30201TB31**

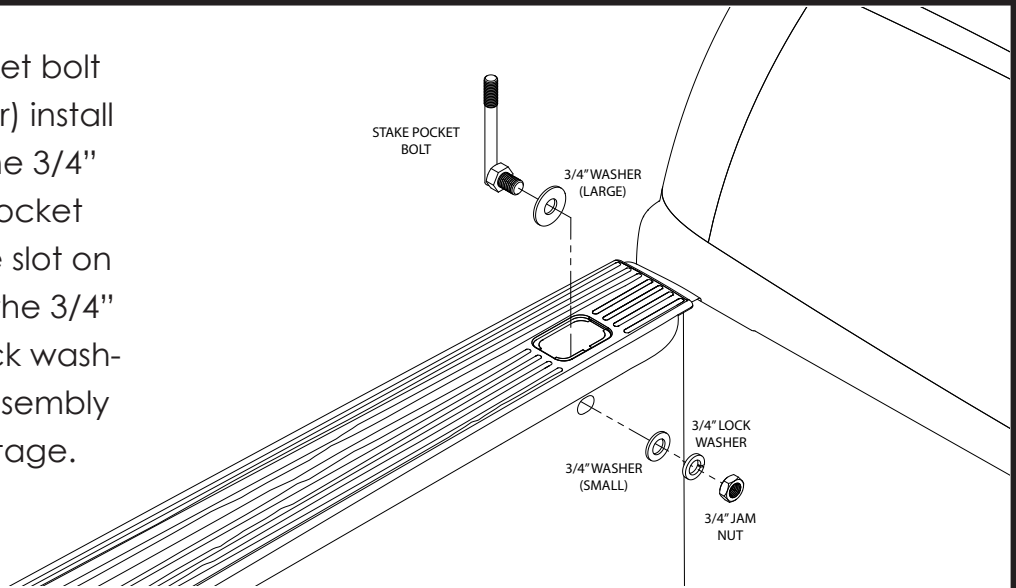
PART	DESCRIPTION	QTY
TB501D	Toolbox Bracket Driver	1
TB501P	Toolbox Bracket Passenger	1
OR		
TB904D	31" Toolbox Bracket Driver	1
TB904P	31" Toolbox Bracket Passenger	1
HARDWARE BAG501		
SBY501S	Stake Pocket Bolt	2
FYZ008	1/2"-20 Nylon Hex Lock Nut	2
FYZ011	1/2" Flat Washer	2
FYZ014	1/2"-20 x 3.25" Carriage Bolt Grade 8	2
FYZ016	5/8"-11 Hex Nut	2
FYZ017	5/8" Lock Washer	2
FYZ018	5/8" Flat Washer	2
FYZ019	3/4"-10 Jam Nut	2
FYZ020	3/4" Lock Washer	2
FYZ021	3/4" Flat Washer	2
FYZ022	3/4" Large Flat Washer	2
INST001	Installation Instruction	1

FOR MORE INFORMATION SCAN HERE!



1

For each stake pocket bolt (driver and passenger) install large washer over the 3/4" bolt end of stake pocket bolt, and through the slot on the truck bed. Install the 3/4" small steel washer, lock washer and nut. Leave assembly finger tight at this stage.

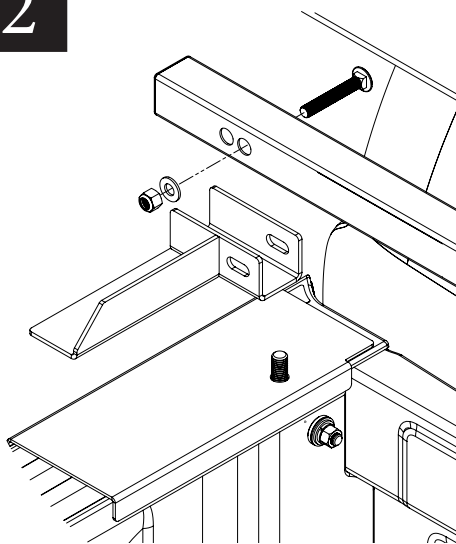


2

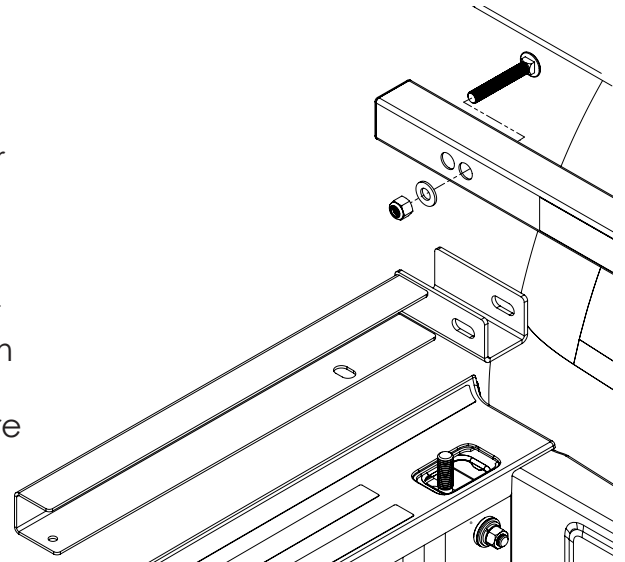
Fasten the RealTruck Backrack to the Rail mount bracket, or Toolbox bracket. Finger tighten at this stage.

****IMPORTANT****

Install the carriage bolt as shown in the diagram with the round head closest to the cab. Failure to do so could result in damage to the cab or rear window.



KIT #30201

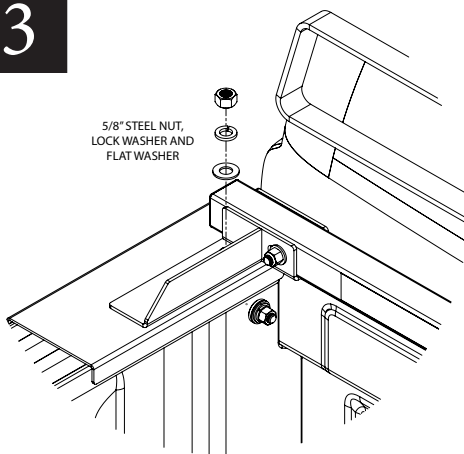


KIT #30201TB,
30201TB31

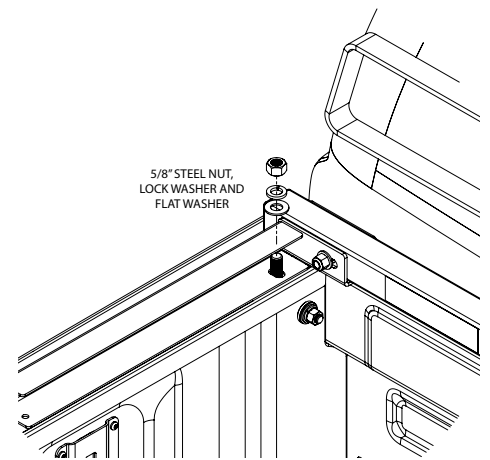
3

Fasten the RealTruck Backrack Assembly to the Stake pocket bolt as shown.

Center the RealTruck Backrack assembly on the truck and final torque all bolts starting with the nuts on the inside of the truck bed, then the rail mount or toolbox bracket and finally the main RealTruck Backrack carriage bolt



KIT #30201



KIT #30201TB,
30201TB31