

## INSTALLATION INSTRUCTIONS : REALTRUCK BACKRACK KIT #40123 2015-2016 FORD F-150 (Aluminum Body)

### READ THIS NOW!

Your truck should look like the one shown. If you think you are missing any parts, think that this part number is not for your truck or have any installation question, call our customer

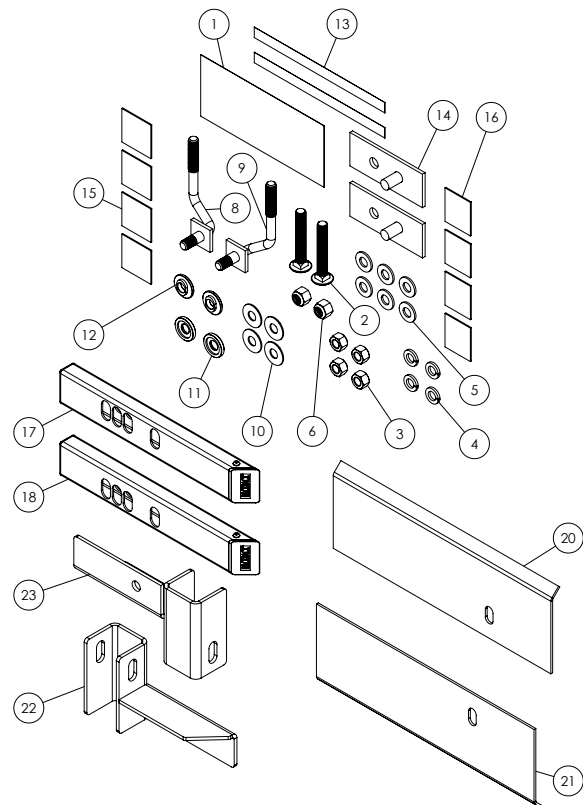
service department at toll free:  
888-588-6101 or locally 800-265-8137.

Other ways to reach RealTruck Backrack:  
email: [info@backrack.ca](mailto:info@backrack.ca)  
[Support@backrack.com](mailto:Support@backrack.com)



The RealTruck Backrack is secured to your truck with a pair of "Stake Pocket Bolts" specifically designed for your make and model of truck. These bolts mount into each of the two front stake pockets. The RealTruck Backrack assembly sits on the bed rails of your truck and is secured to these Stake Pocket Bolts. If your truck has a BEDLINER we suggest you remove it to install the Stake Pocket Bolts

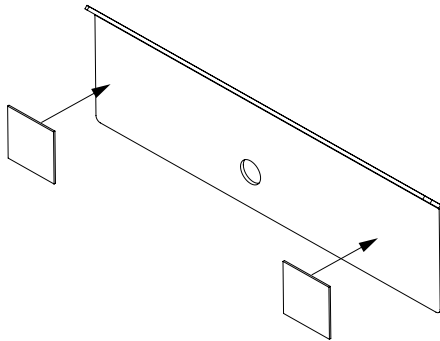
#	PART	DESCRIPTION	QTY
1	INST205	Installation Instructions	1
2	FYZ014	1/2"-20 x 3.25" Carriage Bolt Grade 8	2
3	FYZ009	1/2"-13 Hex Nut	4
4	FYZ010	1/2" Lock Washer	4
5	FYZ011	1/2" Flat Washer	6
6	FYZ008	1/2"-20 Nylon Hex Lock Nut	2
7	DB9X8ET	Poly Bag	1
8	SBY523D-L	Stake Pocket Bolt Driver	1
9	SBY523P-L	Stake Pocket Bolt Passenger	1
10	FW0404B	Nylon Washer	4
11	ARD523	Aluminum Spacer Female	2
12	AOV523	Aluminum Spacer Male	2
13	Small BACKRACK Decal	BACKRACK DECAL 5/8" x 9"	2
14	RPY512S	Spacer Plate Assembly	2
15	SF005	2 Sided Tape SPGPSA1x2x2	4
16	SF004	Foam Pad	4
17	TCA003D	Tonneau Cover Adapter Driver	1
18	TCA003P	Tonneau Cover Adapter Passenger	1
19	CTN000	Cardboard Box	1
20	RP423D	40123 Rail Plate Driver	1
21	RP423P	40123 Rail Plate Passenger	1
22	RMB523D	Rear Mount Bracket Driver	1
23	RMB523P	Rear Mount Bracket Passenger	1



**FOR MORE INFORMATION SCAN HERE!**



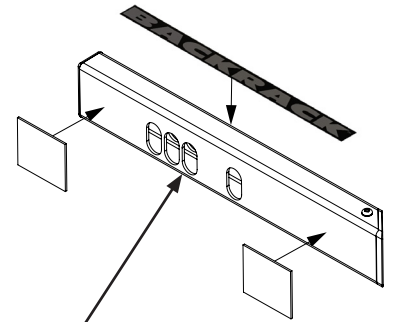
Apply double sided adhesive pads to this side of rail plate (driver and passenger) 1 on each end, approximately center.



Remove 2nd side in step 4 to adhere to truck rail.

1a

Apply single sided adhesive pads to this side of spacer. Apply RealTruck Backrack decal \*\*Can also be applied as last step to ensure facing outward\*\*

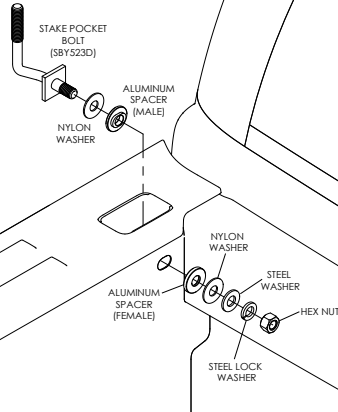


Slots to this side

1b

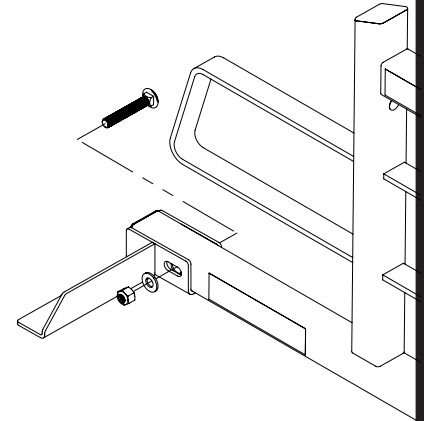
Insert stake pocket bolt, fasten as shown with supplied washers, spacers and nuts. Make sure the male spacer slot is correctly seated in slot on truck bed.

Hand tighten until final step.



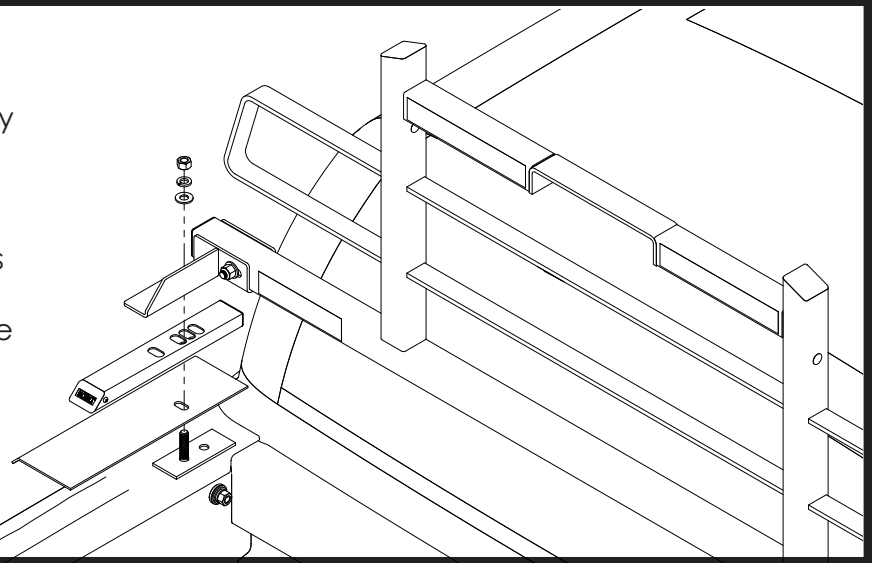
Fasten RealTruck Backrack to the Rail mount bracket. Finger tighten at this stage.

**\*\*IMPORTANT\*\***  
Install the carriage bolt as shown in the diagram with the round head closest to the cab. Failure to do so could result in damage to the cab or rear window.



3

Fasten RealTruck Backrack Assembly to the Stake pocket bolt as shown. Center the RealTruck Backrack assembly on the truck and initial torque all bolts starting with the nuts on the inside of the truck bed, then the rail mount bracket and finally the main RealTruck Backrack carriage bolt.



4