

INSTALLATION INSTRUCTIONS : REALTRUCK BACKRACK KIT #40221 2017- CURRENT SUPER DUTY ALUMINUM BODY

READ THIS NOW!

Your truck should look like the one shown. If you think you are missing any parts, think that this part number is not for your truck or have any installation question, call our customer service department at toll free:

888-588-6101 or locally 800-265-8137.

Other ways to reach RealTruck Backrack:

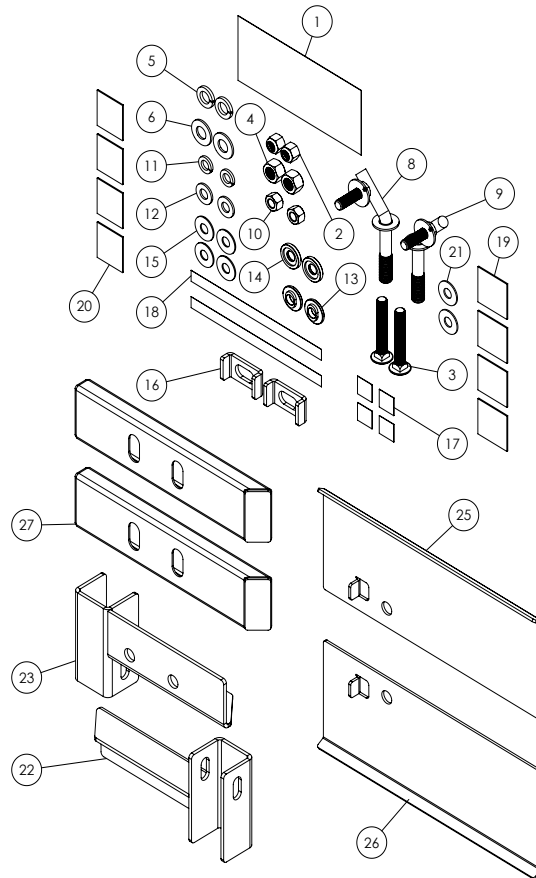
email: info@backrack.ca

Support@backrack.com



The RealTruck Backrack is secured to your truck with a pair of "Stake Pocket Bolts" specifically designed for your make and model of truck. These bolts mount into each of the two front stake pockets. The RealTruck Backrack assembly sits on the bed rails of your truck and is secured to these Stake Pocket Bolts. If your truck has a BEDLINER we suggest you remove it to install the Stake Pocket Bolts

#	PART	DESCRIPTION	QTY
1	INST209	Installation Instructions	1
2	FYZ008	1/2"-20 Nylon Hex Lock Nut	2
3	FYZ014	1/2"-20 x 3.25" Carrige Bolt Grade 8	2
4	FYZ016	5/8"-11 Hex Nut	2
5	FYZ017	5/8" Lock Washer	2
6	FYZ018	5/8" Flat Washer	2
7	DB9X8ET	Poly Bag	1
8	SBY956D	Stake Pocket Bolt Driver	1
9	SBY956P	Stake Pocket Bolt Passenger	1
10	FYZ009	1/2"-13 Hex Nut	2
11	FYZ010	1/2" Lock Washer	2
12	FYZ011	1/2" Flat Washer	2
13	AOV523	Aluminum Spacer Male	2
14	ARD523	Aluminum Spacer Female	2
15	FW0404B	Nylon Washer	4
16	LAS125	Rail Plate Clip	2
17	SF015	Rubber Contact Pad	4
18	Small BACKRACK Decal	BACKRACK DECAL 5/8" x 9"	2
19	SF005	2 Sided Tape SPGPSA1x2x2	4
20	SF004	Foam Pad	4
21	FYZ012	1/2" Large Flat Washer	2
22	RMB521P	Rail Mount Bracket Passenger	1
23	RMB521D	Rail Mount Bracket Driver	1
24	CTN024	Cardboard Box	1
25	RP421D	Rail Plate Driver	1
26	RP421P	Rail Plate Passenger	1
27	TCA004S	Tonneau Cover Adapter Tube	2

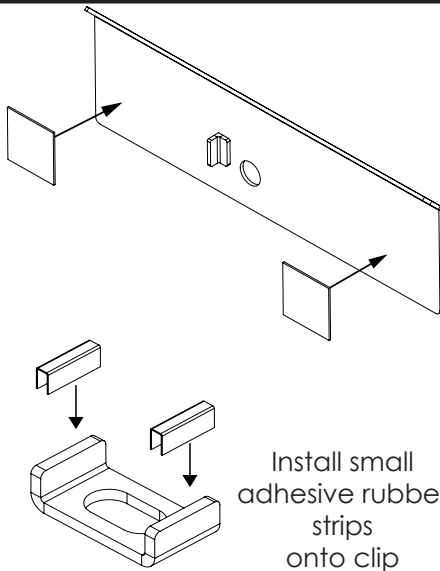


FOR MORE INFORMATION SCAN HERE!



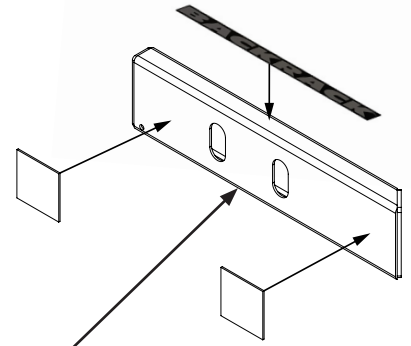
Apply double sided adhesive pads to this side of rail plate (driver and passenger) 1 on each end, approximately center.

Remove 2nd side in step 4 to adhere to truck rail.



Install small adhesive rubber strips onto clip

Apply single sided adhesive pads to this side of spacer. Apply RealTruck Backrack decal **Can also be applied as last step to ensure facing outward**

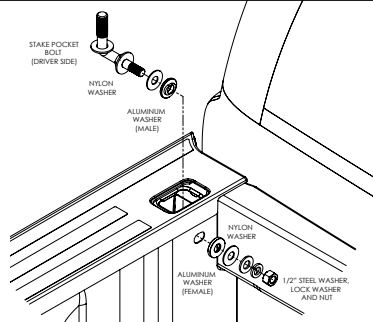


Slots are symmetrical
Make 1 driver,
1 passenger

1a

1b

Insert stake pocket bolt, fasten as shown with supplied washers and nuts. Make sure the stake pocket bolt is correctly inserted into opening on truck bed. Hand tighten until final step.



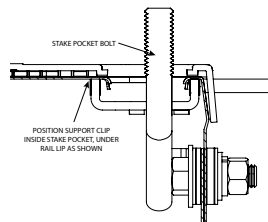
Fasten RealTruck Backrack to the rail mount bracket. Finger tighten at this stage.

****IMPORTANT****

Install the carriage bolt as shown in the diagram with the round head closest to the cab. Failure to do so could result in damage to the cab or rear window.

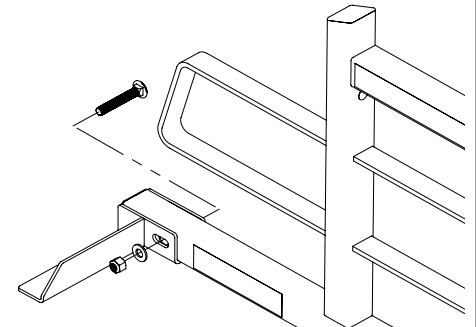
2

Insert support clip into stake bolt pocket and under the edges of the pocket opening



Cut away view showing support clip in correct position

4



3

Fasten RealTruck Backrack Assembly to the Stake pocket bolt as shown. Center the RealTruck Backrack assembly on the truck and final torque all bolts starting with the nuts on the inside of the truck bed, then the rail mount bracket and finally the main RealTruck Backrack carriage bolt.

5

